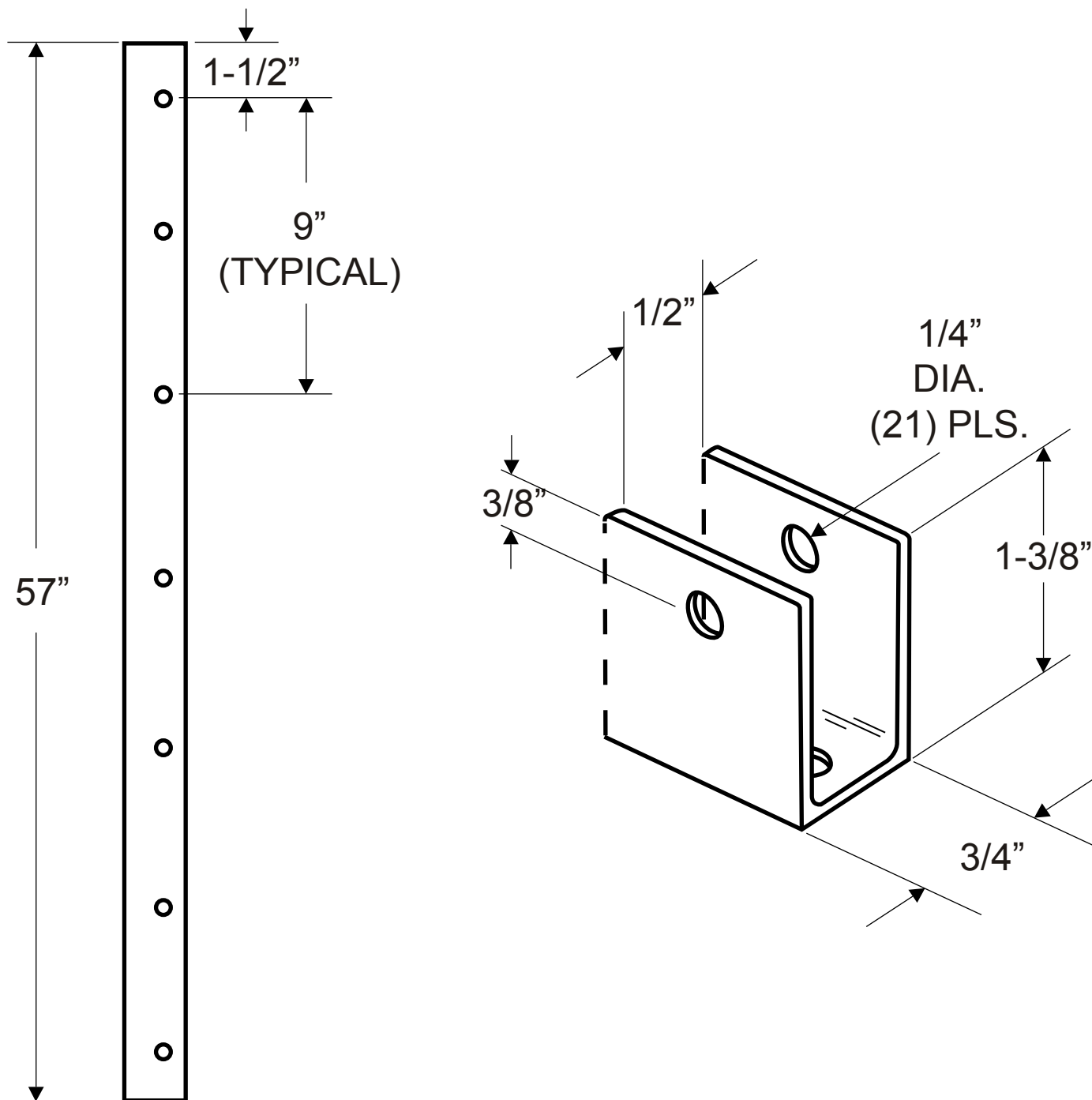


**4184**  
**(U-BRACKET 1/2"x57")**



**NOTE: ALL WALL THICKNESS AT 1/8"**  
**SEVEN HOLES IN BASE**