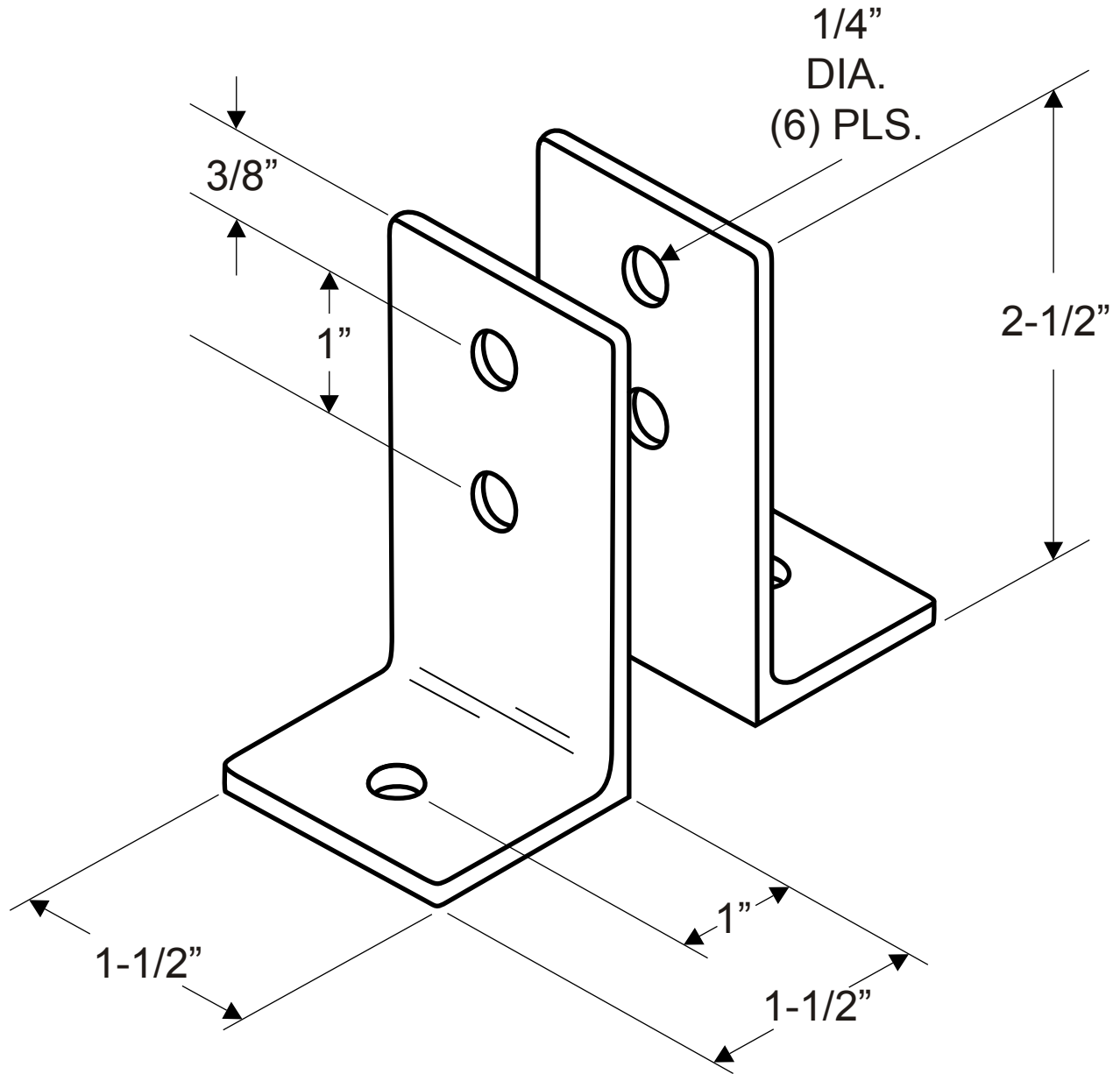


1864
(TWO PIECE BRACKET - STANDARD TWO HOLE)



NOTE: ALL WALL THICKNESS AT 1/8"