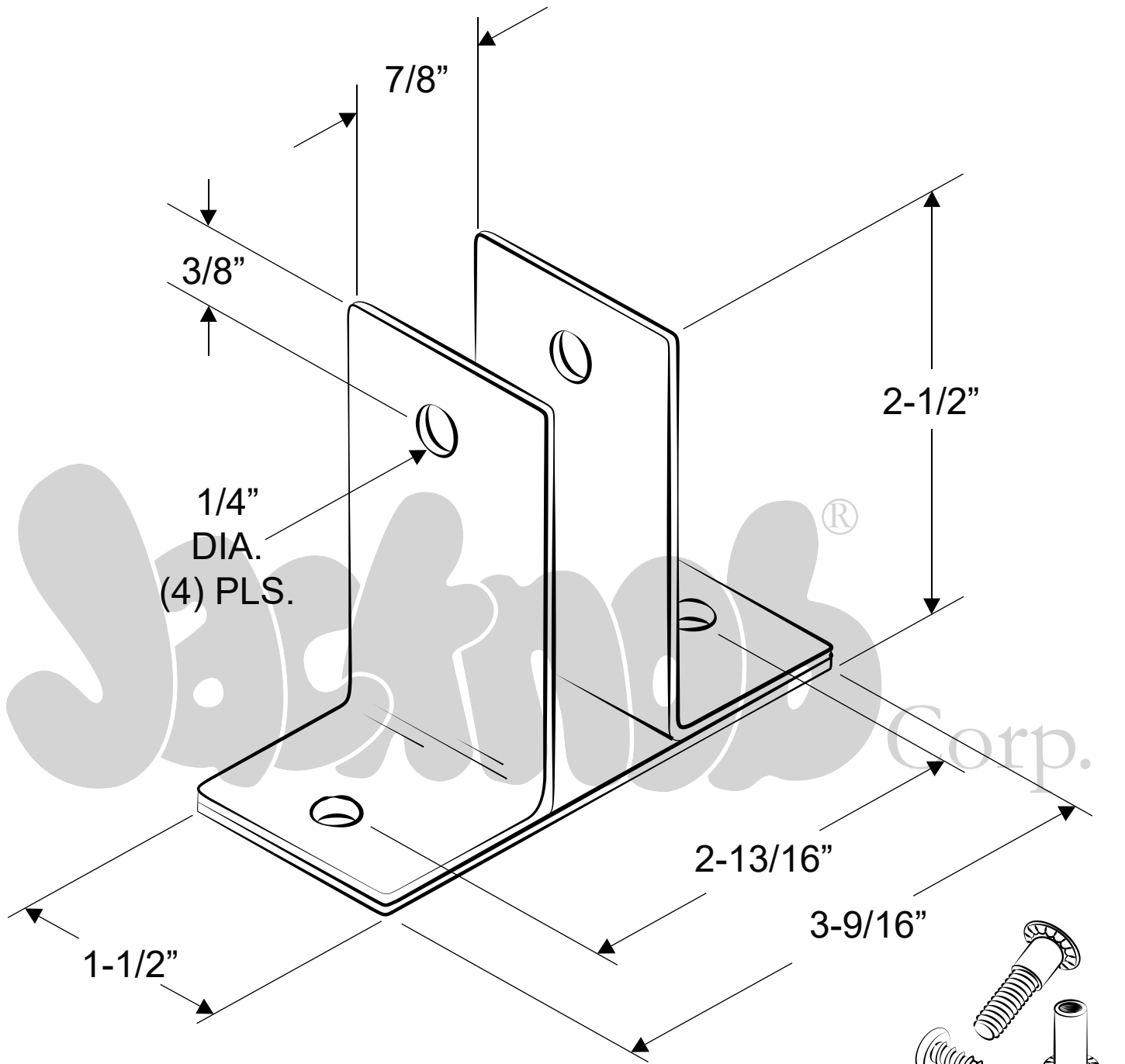


**601639
(WALL BRACKET - TWO EAR 7/8" & SCREW PACK)**



NOTE: 14 GAUGE STAINLESS

Includes Fasteners