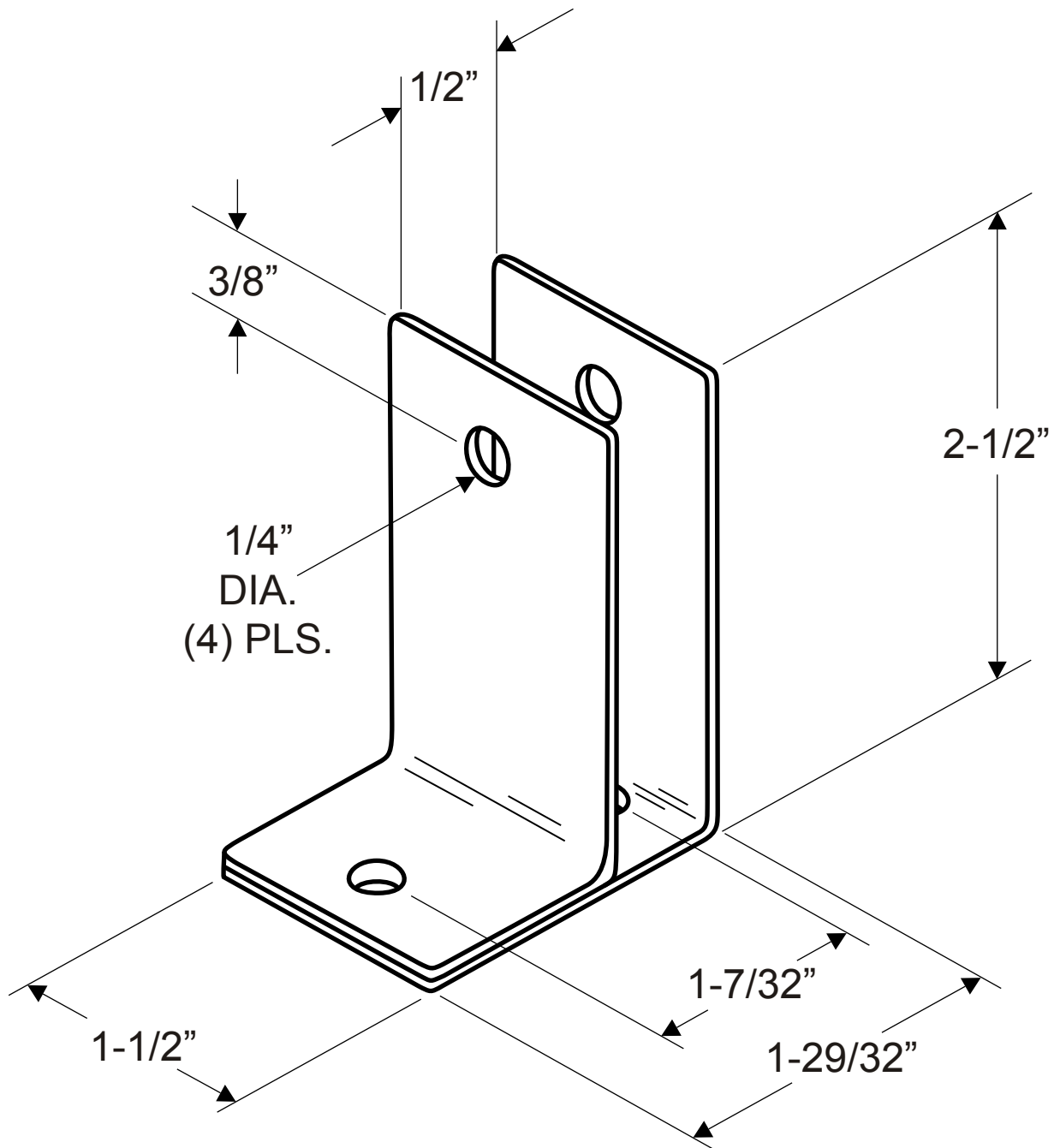


1579
(WALL BRACKET - ONE EAR 1/2")



NOTE: 14 GAUGE (.075" THICK STAINLESS)