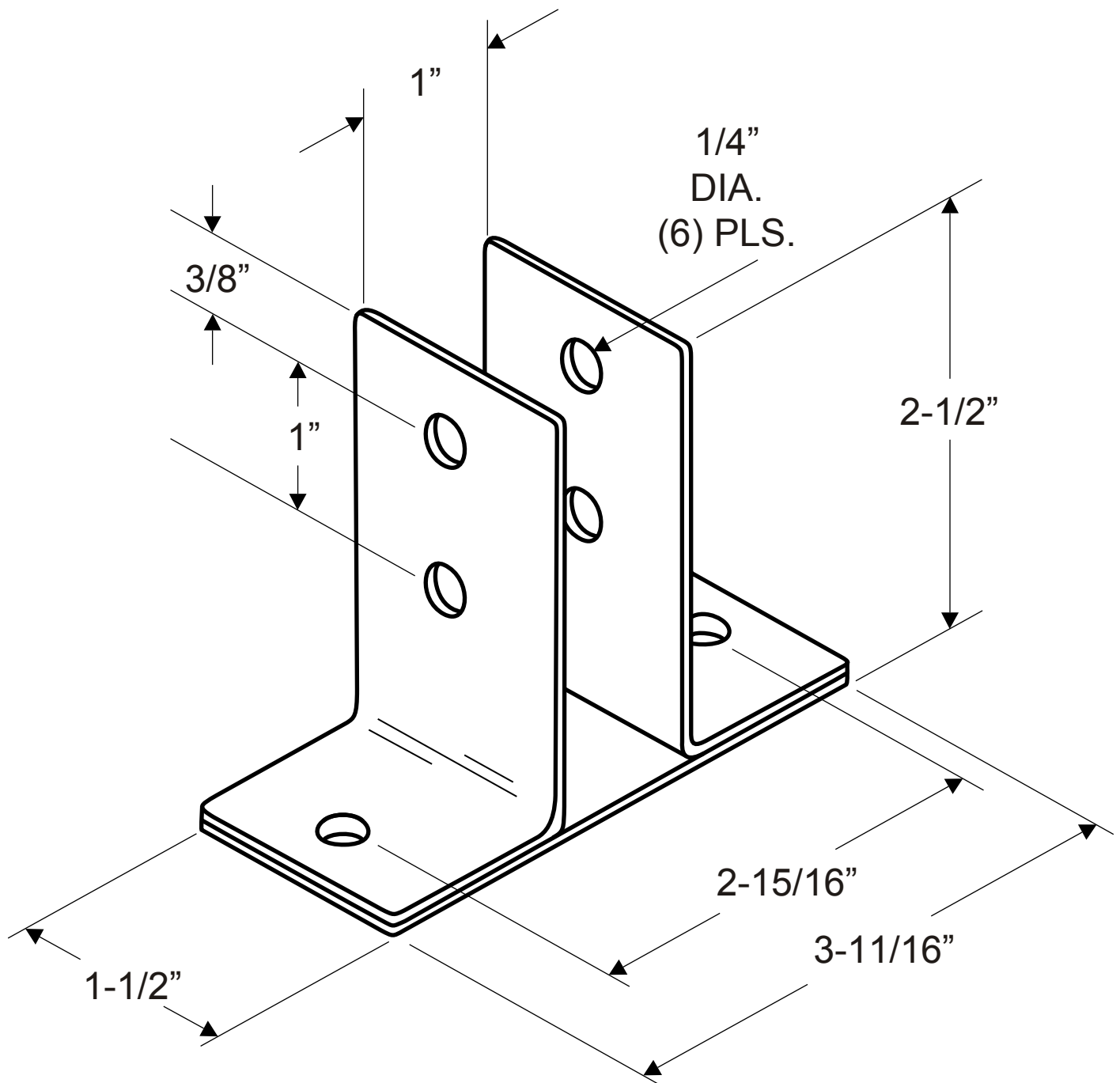


**1619
(URINAL SCREEN BRACKET - TWO EAR 1")**



NOTE: 14 GAUGE (.075" THICK STAINLESS)