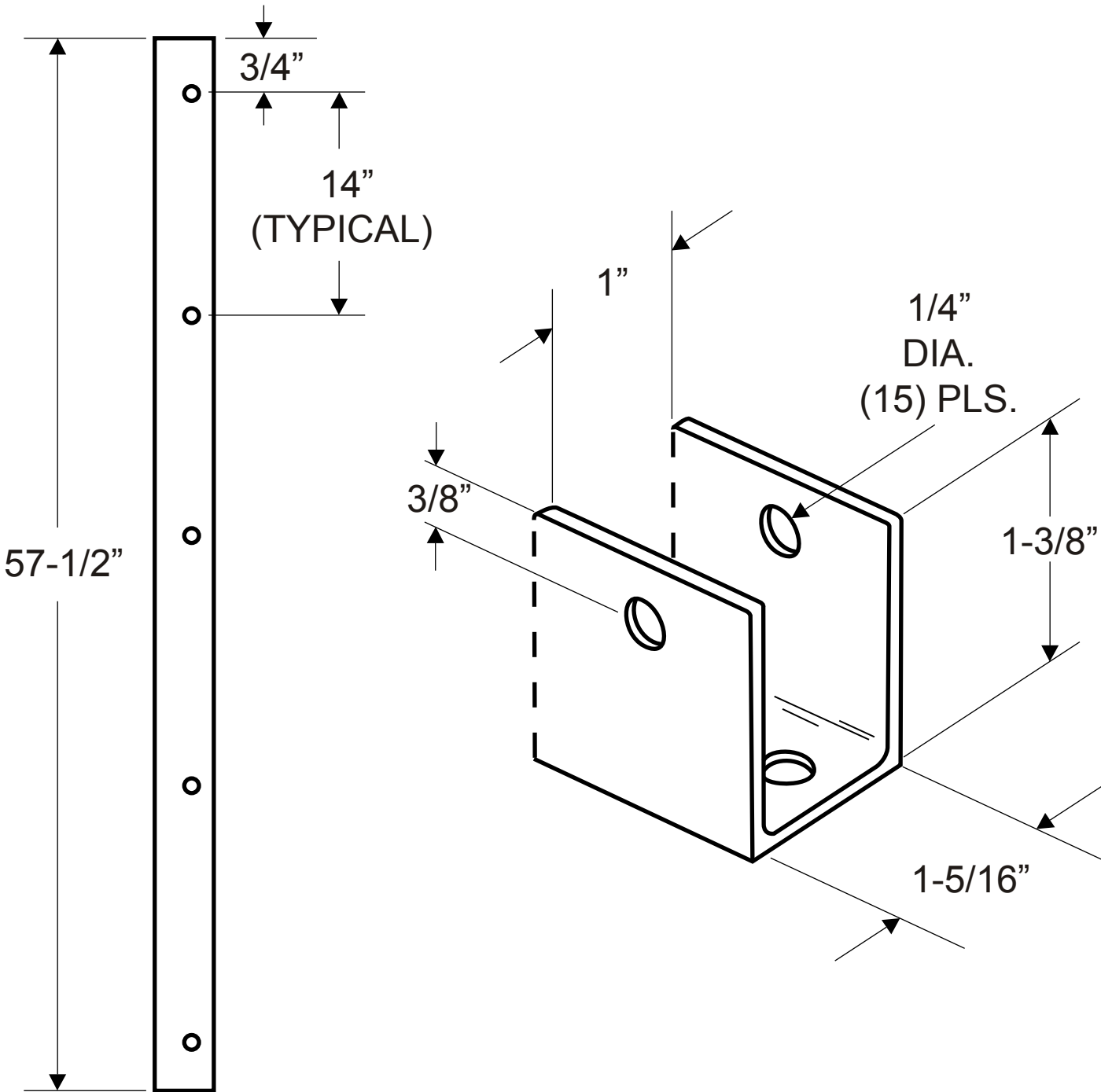


2364
(U-BRACKET 1"x57-1/2")



NOTE: ALL WALL THICKNESS AT 1/8"
FIVE HOLES IN BASE