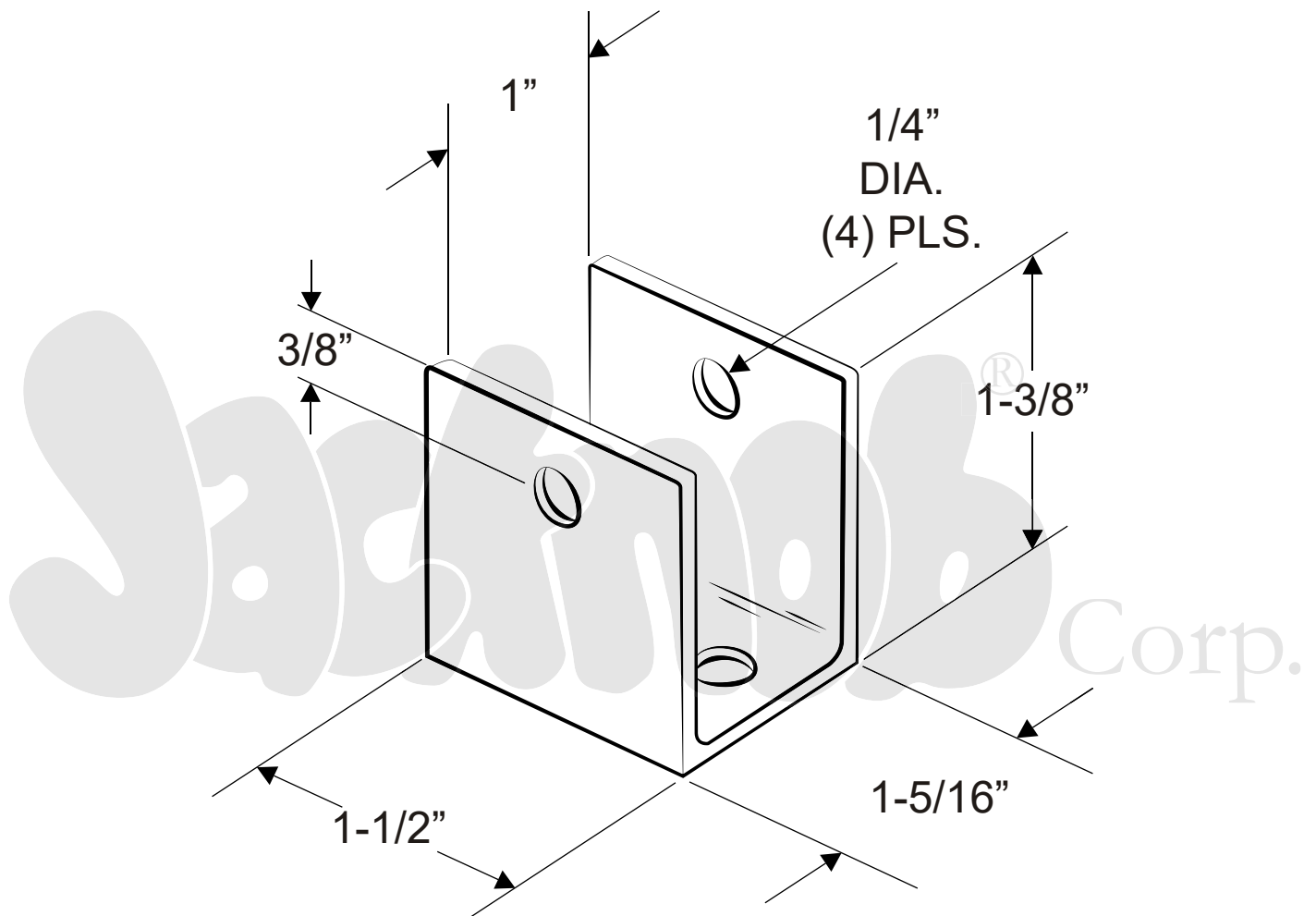


**601914**  
**(U-BRACKET 1" & SCREW PACK)**



**NOTE: THICKNESS 1/8" ALUMINUM  
TWO HOLES IN BASE**

