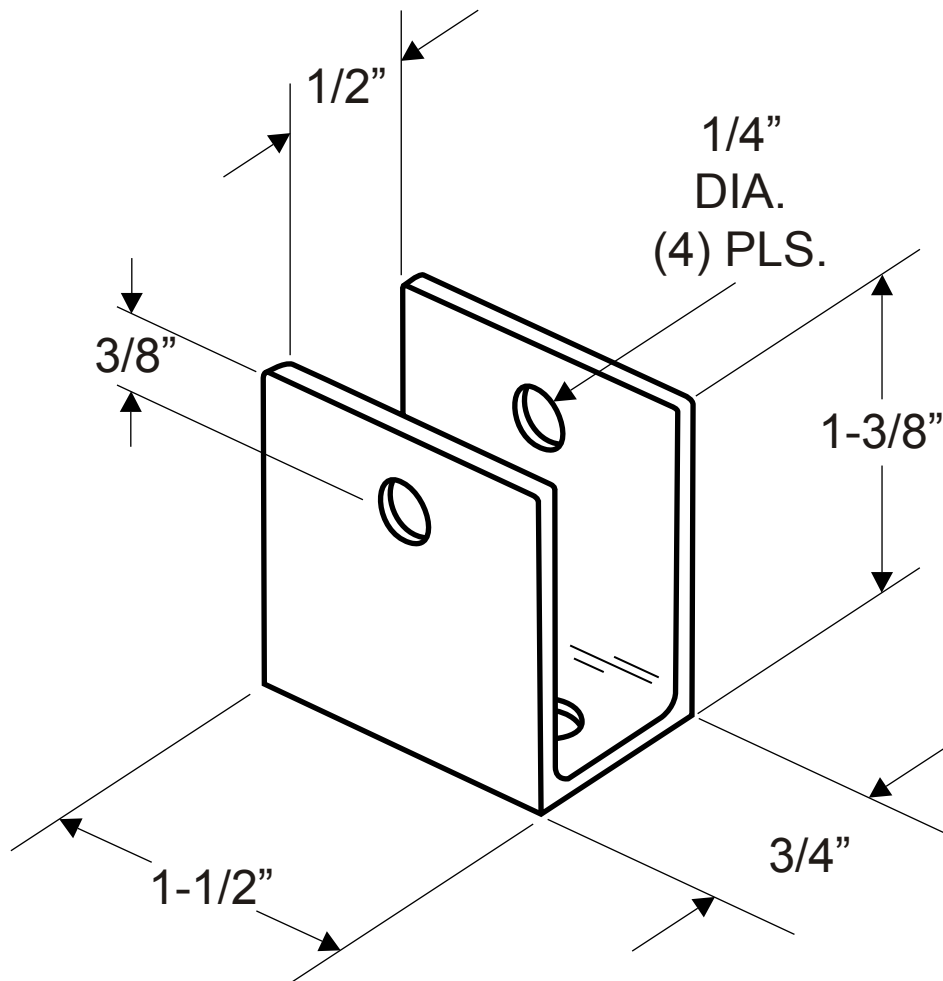


**1874
(U-BRACKET 1/2")**



**NOTE: ALL WALL THICKNESS AT 1/8"
TWO HOLES IN BASE**