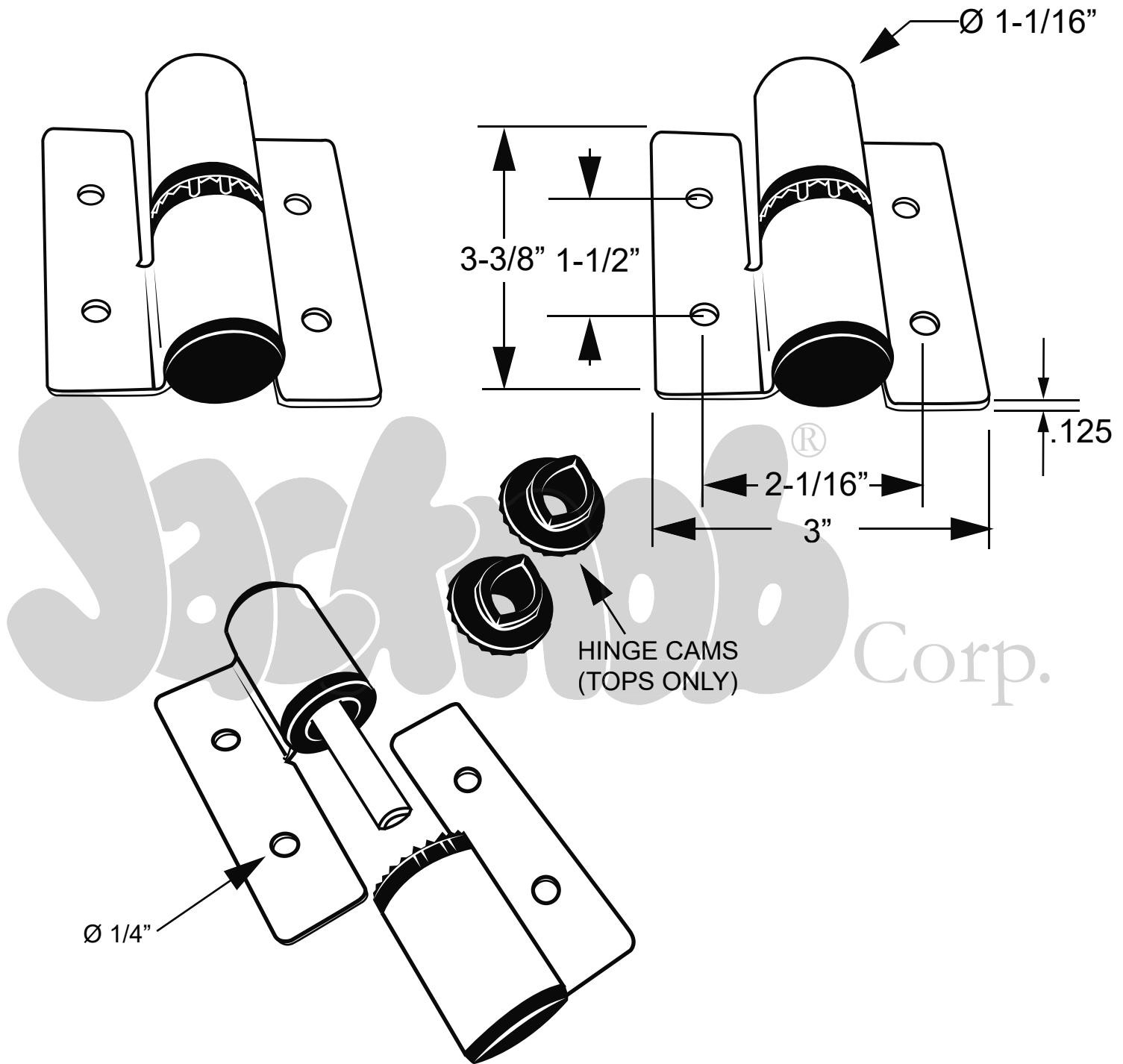


# 7209

(HINGE - SURFACE MOUNT, RH-IN/LH-OUT (2T/1B OF 7199))



Copyright - 2025 Jacknob Corp. All rights reserved

All dimensions shown are approximate. Do not pre-drill or fabricate based on dimensions shown.

The manufacturer reserves the right to, and may from time to time, make changes in dimensions and designs.