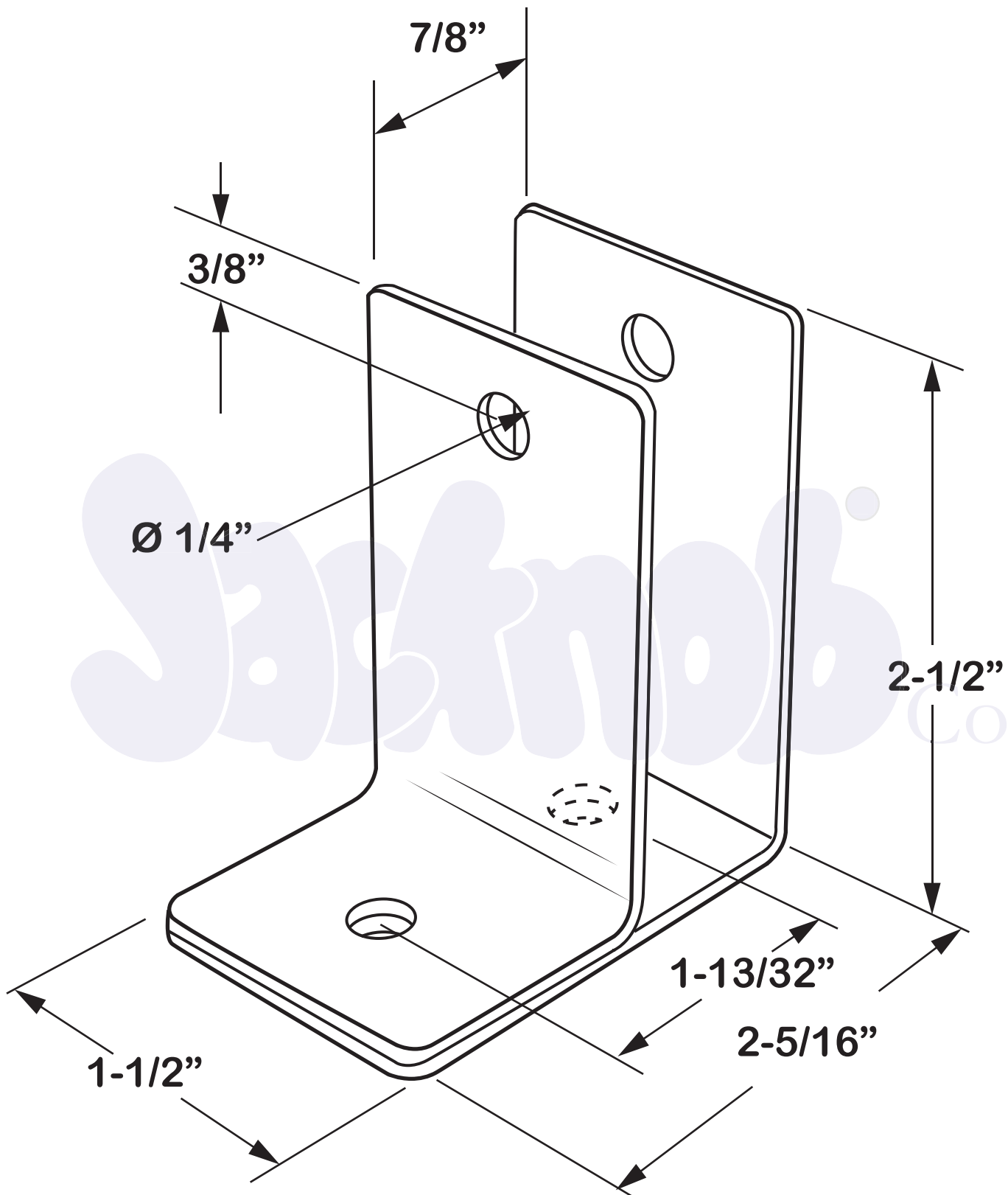


1659
(WALL BRACKET - ONE EAR 7/8")



14 GAUGE STAINLESS STEEL

Copyright - 2023 Jacknob Corp. All rights reserved

All dimensions shown are approximate. Do not pre-drill or fabricate based on dimensions shown.

The manufacturer reserves the right to, and may from time to time, make changes in dimensions and designs.