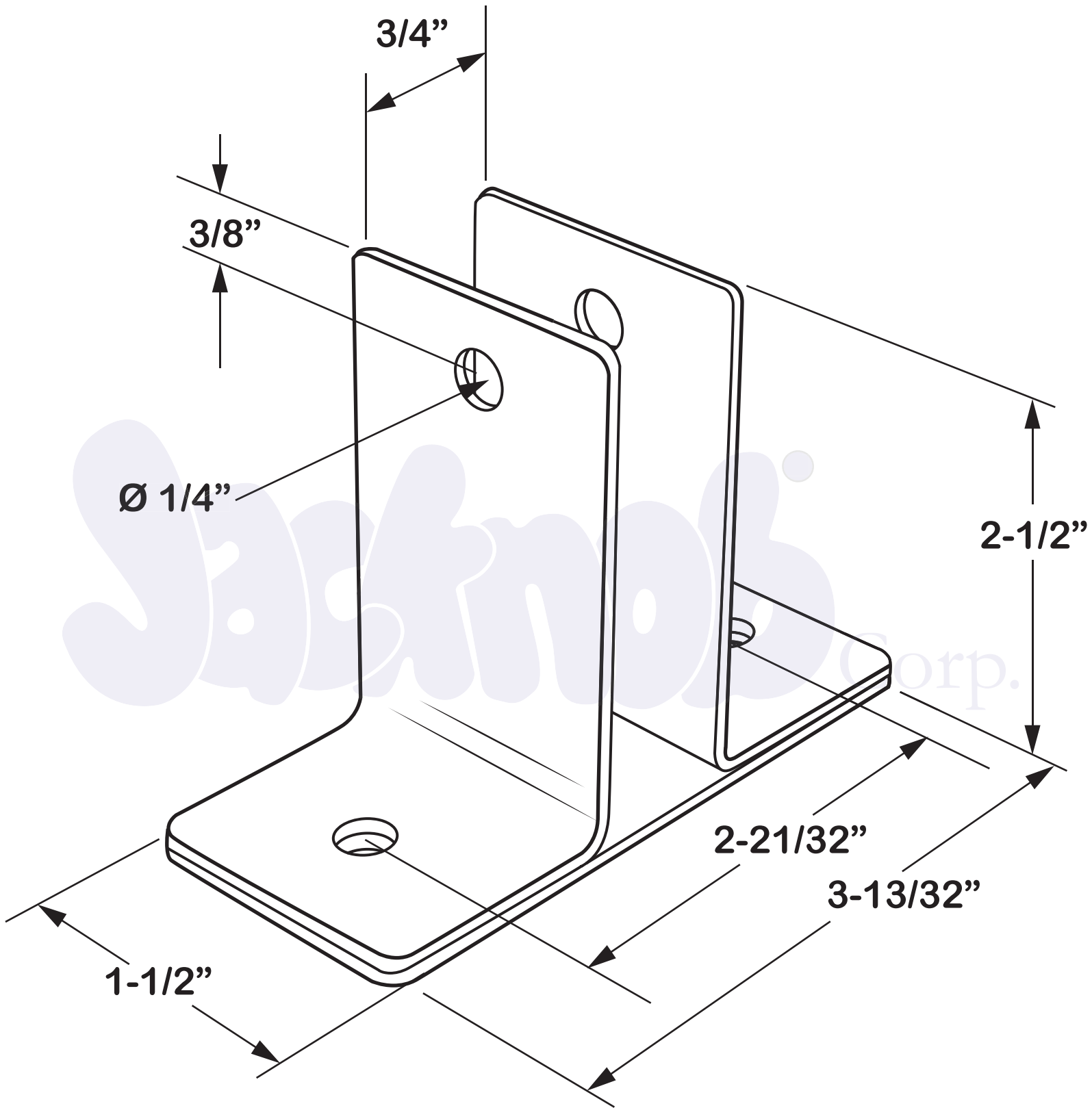


**1629**  
**(WALL BRACKET - TWO EAR 3/4")**



**14 GAUGE STAINLESS STEEL**

Copyright - 2023 Jacknob Corp. All rights reserved

All dimensions shown are approximate. Do not pre-drill or fabricate based on dimensions shown.

The manufacturer reserves the right to, and may from time to time, make changes in dimensions and designs.