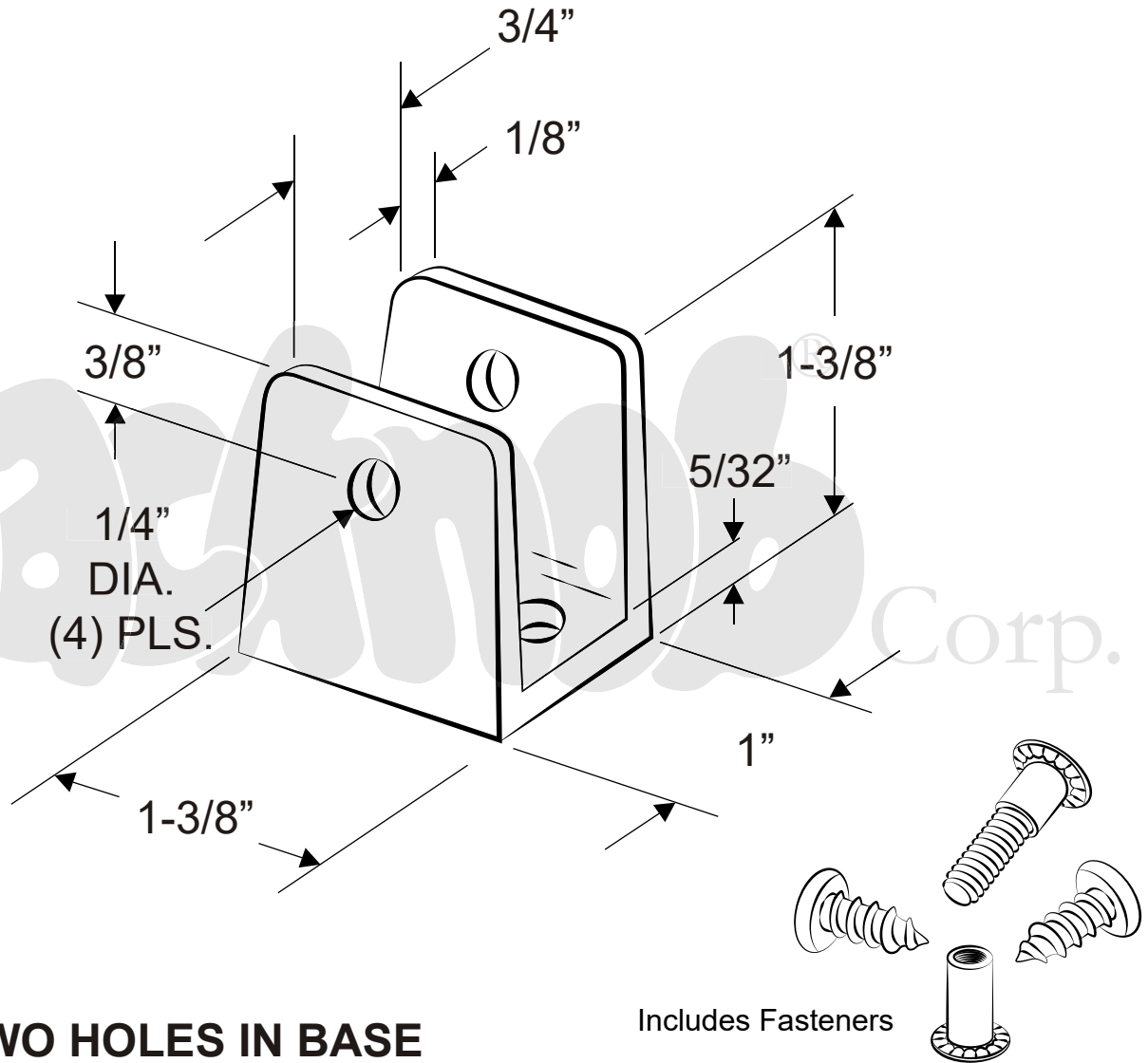


**601890, 601893  
(U-BRACKET 3/4" & SCREW PACK)**



**NOTE: TWO HOLES IN BASE**