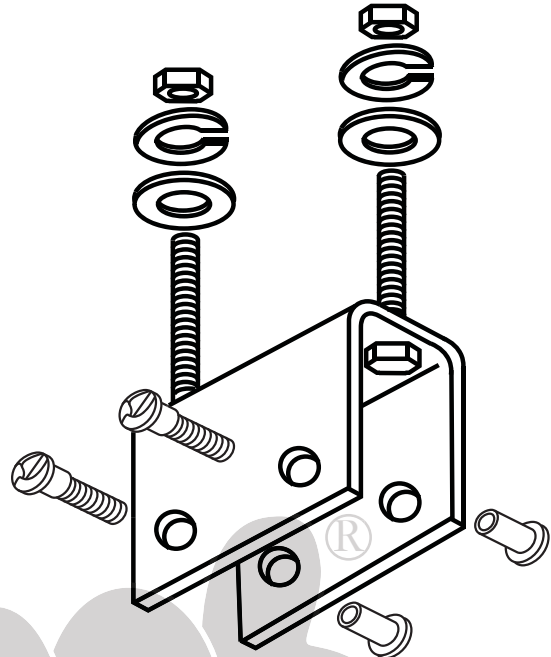


CEILING ANCHOR PACKS (FOR FLOOR TO CEILING INSTALLATIONS)

PART #	POST THICKNESS
119739	3/4" - .75
105419	7/8" - .875
111759	1" - 1.00
103729	1-1/8" - 1.125
131089	1-1/4" - 1.250



POST WIDTHS

FROM 3" - 5" USE 1 PACK

FROM 6" - 17" USE 2 PACKS

FROM 18" - + USE 3 PACKS

