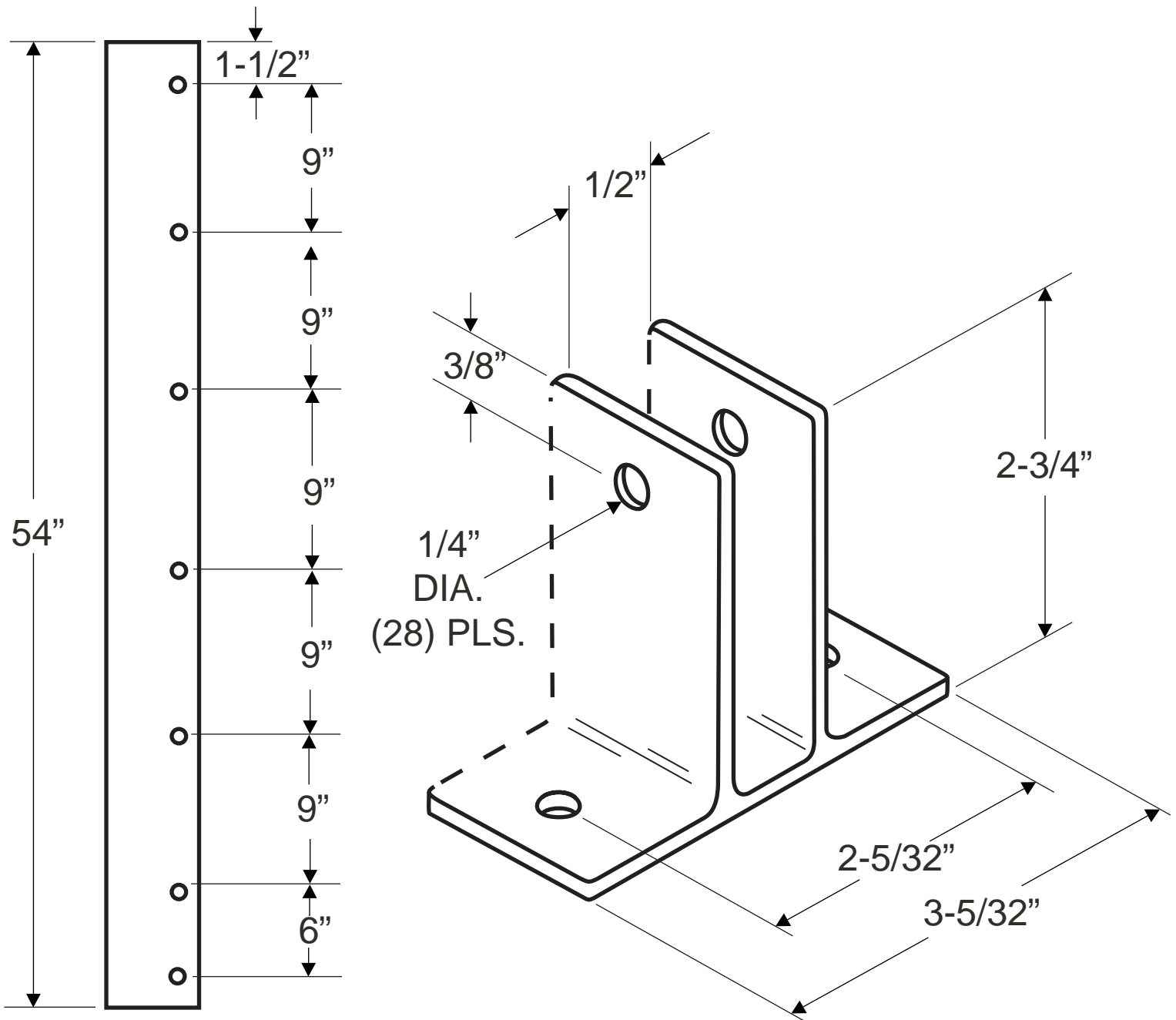


**2904**  
**(WALL BRACKET - TWO EAR 1/2"x54")**



**NOTE: ALL WALL THICKNESS AT 1/8"**