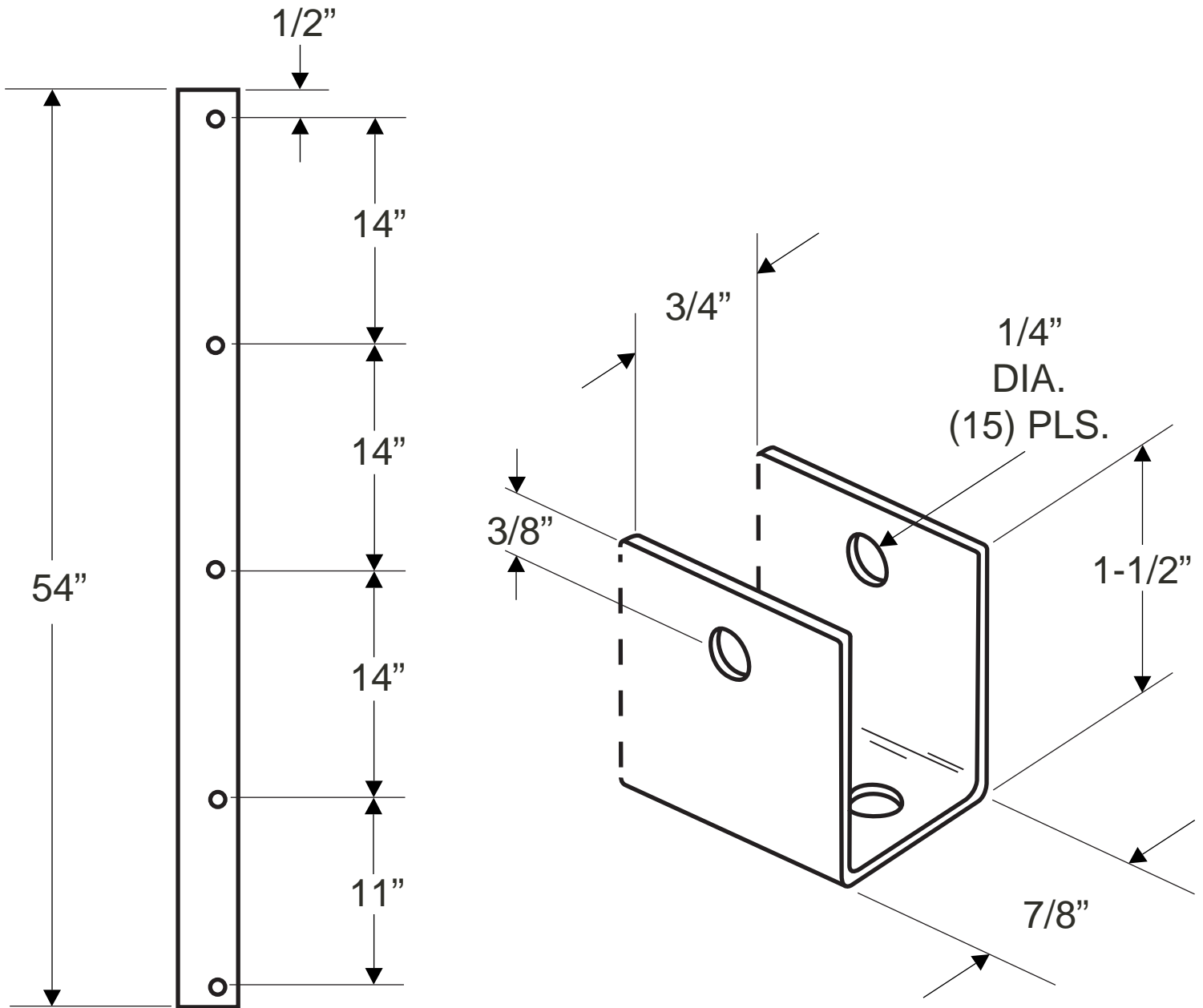


**4469**  
**(U-BRACKET 3/4" x 54")**



**NOTE: 18 GAUGE (.050" THICK STAINLESS)**  
**FIVE HOLES IN BASE**