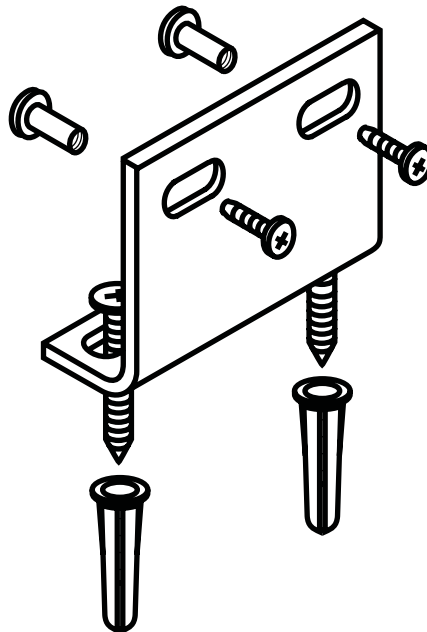
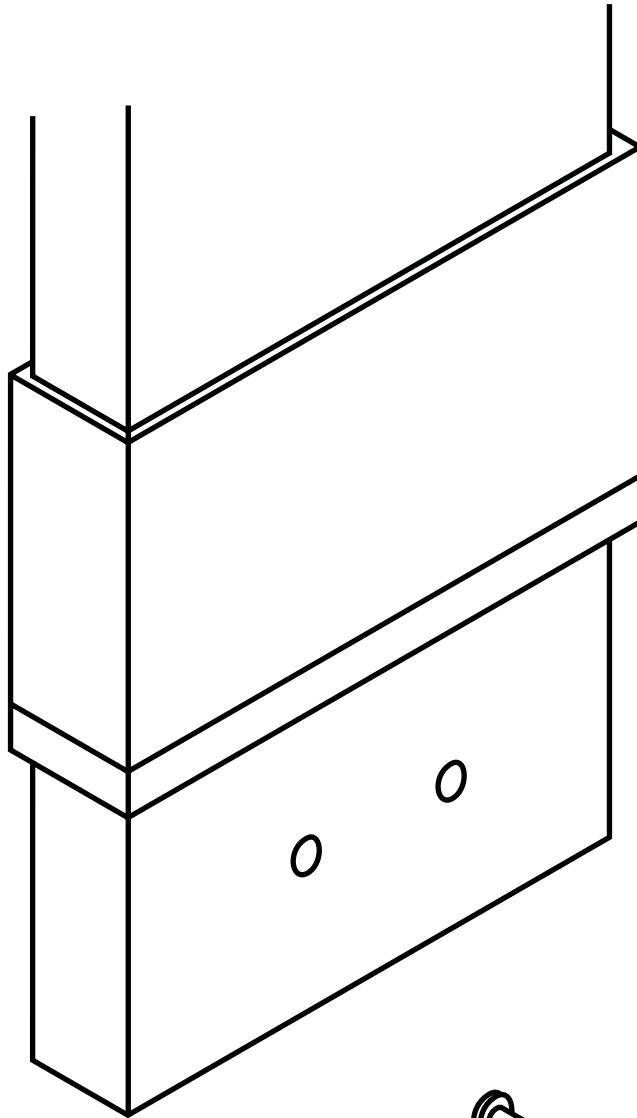


# INSTRUCTIONS FOR INSTALLING 30729, 30739, 30749 ANCHORING PACKS



**30729: For 1/2" Post**  
**30739: For 3/4" Post**  
**30749: For 1" Post**

