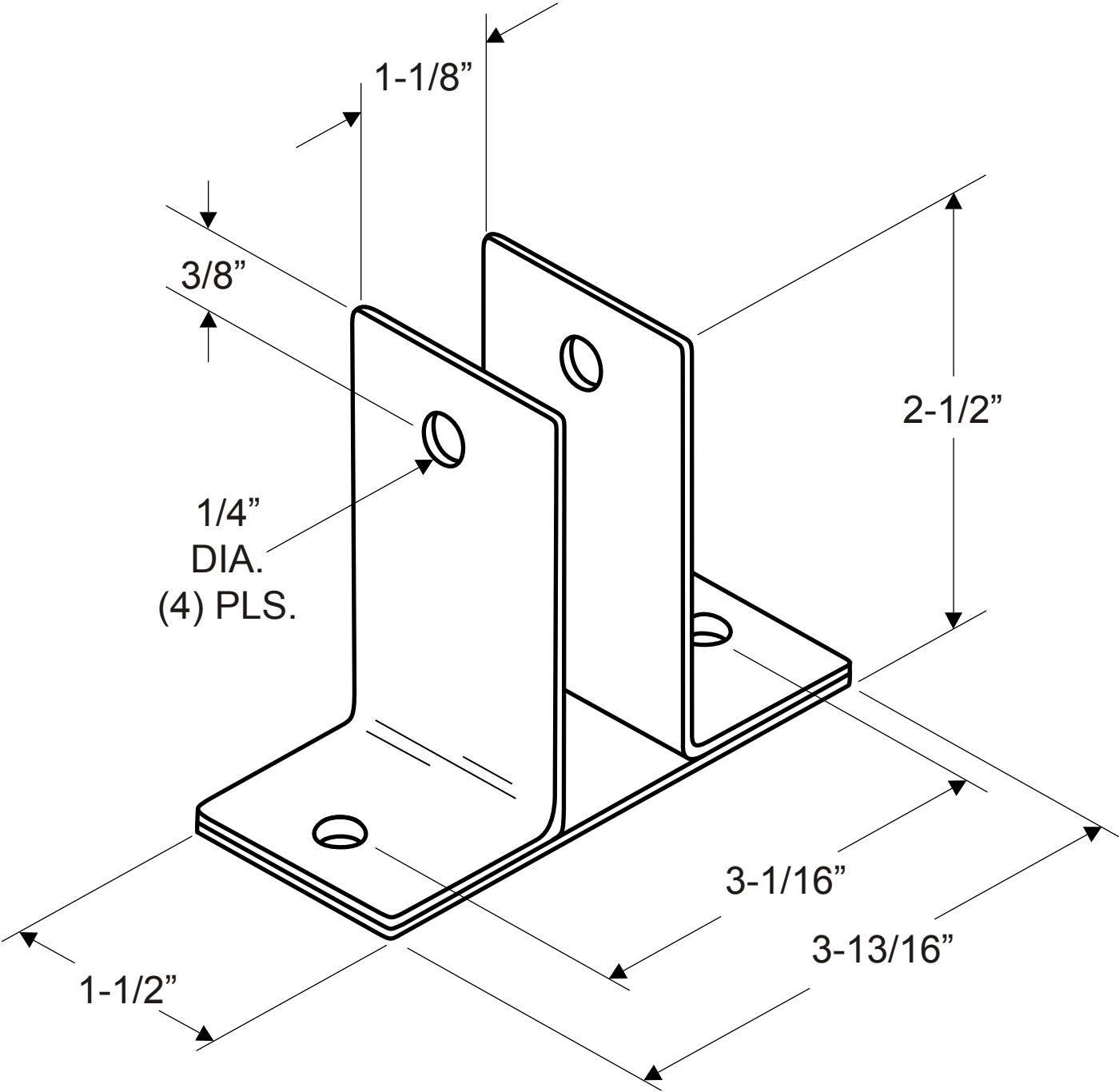


1779
(WALL BRACKET - TWO EAR 1-1/8")



NOTE: 14 GAUGE (.075" THICK STAINLESS)