

## Specifications

# PowerPlex 2000 Series

### FEATURES

**Access Control:** Electronic pushbutton lock – eliminates problems and costs associated with issuing, controlling, and collecting keys, and cards. Provides exterior access by PIN code, while allowing free egress.

PowerPlex 2000 locks are self-powered electronic locks that do not require batteries or other power sources. The lock generates its own power with every turn of the lever, making it the most efficient and versatile electronic lockset available with virtually no maintenance costs.

**No Wires:** Requires no wiring to or through the door – eliminates risk of damage from pinched wires that can result in costly callbacks.

### Locking Device Options:

- Cylindrical: Cylindrical latch with 3-hour UL/ULC fire rating
- Exit Device: Compatible with most leading brands of Exit Devices; See list under “Exit Device Compatibility” (Exit Device and Mounting Hardware not included)
- American Standard Mortise: With 1 ¼" (32 mm) face plate; with and without dead bolt, auto dead bolt also available

**Number of Codes:** Multiple Users–100 Codes

**Audit Trail:** The most recent 1,000 lock events are recorded in memory, including use of the mechanical key override. Software is required to view audit events.

**Programming:** Locks are programmed via keypad or with optional Microsoft® Excel®-based software – simplifies management of doors and users as facility’s number of users and access points grow.

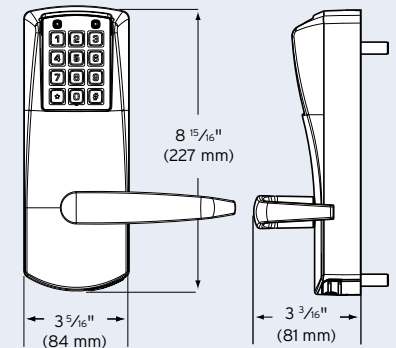
**Handing:** Non-handed; pre-assembled for left-hand door installations – easily changed in the field.

### Key Override (Optional):

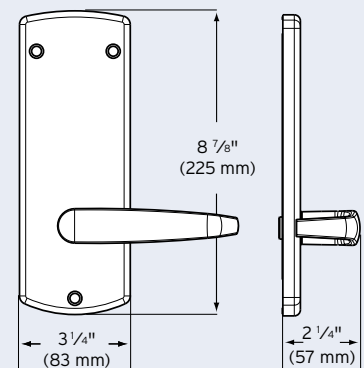
- Optional Key-in-Lever cylinder in Schlage “C” Keyway with black Kaba cap
- Small format–Best and equivalent (6 or 7-pin length)



### Cylindrical Dimensions



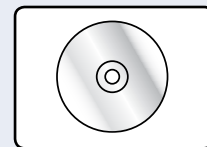
Exterior (PowerPlex 2000)



Interior

### Optional Feature

#### PC Software



### Operation Modes:

- PIN access
- Passage – can be toggled on/off
- Lockout

### Authority Levels:

Five different levels allow who has access to specific lock functions, including:

**Master Level** – performs all set-up and programming functions

**Manager Level** – administers common programming functions

**Access User Level** – entry granted with valid PIN

**Service Level** – codes for single event or single day access, programmable in advance

**Maintenance Level** – no access is granted, information can be uploaded/downloaded to/from the lock

### User Parameters:

**Code length** – Adjustable to accept 4 to 8 digits

**Anti-tamper lockout** – Adjustable from 3 to 9 invalid attempts with an adjustable period of 0 to 90 seconds

**Relock time** – Adjustable from 2 to 20 seconds

### Lock Power:

**Self Powering** – Kaba's patented PowerStar™ technology supplies power for all electronic lock functions including programming users at the keypad without ever having to change batteries. Once the first digit of a valid code is entered to "wake up" the lock, the remainder of the code can be entered and access is granted. A full charge of the built-in super capacitors will last up to 10 weeks with no activity at the lock.

### MECHANICAL FEATURES

#### Construction:

Heavy-duty commercial Grade 1 lockset, solid cast exterior housing, solid cast levers, cylindrical drive wear tested for extensive use in indoor and outdoor applications

**Numeric Keypad:** Vandal resistant, solid metal pushbuttons

#### Handing:

Non-handed, pre-assembled for left-hand door installation – easily changed in the field

#### Backset:

**Cylindrical:** 2 3/4" (70 mm) backset, 2 5/8" (60 mm) backset

**Mortise:** 2 3/4" (70 mm) backset

**Exit Trim Model:** Varies by exit device

#### Latches:

**Cylindrical Models:** 1/2" (13 mm) throw latch,

**Mortise Models:** 3/4" (19 mm) latch, 1" (25 mm) dead bolt (optional) and auto dead bolt (optional)

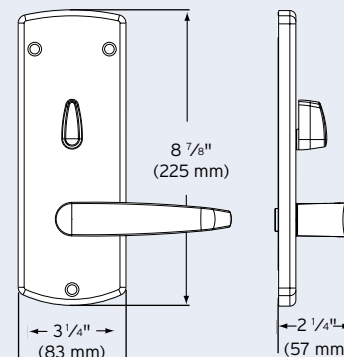
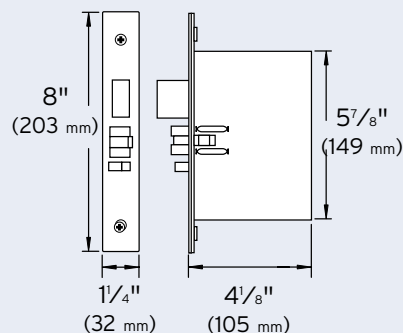
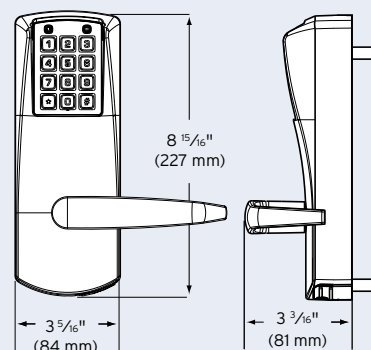
#### Strikes:

**Cylindrical Models:** Packaged standard with both ANSI A115.3 "T" Strike and A115.2 ASA Strike

**Minimum Stile Required:** 5" (127 mm)

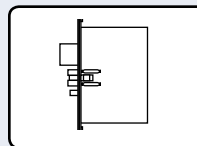
**Weight:** 9.25 lbs. (4.20 kg)

### Mortise Dimensions

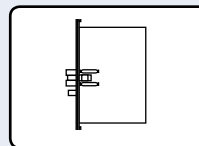


### Optional Features

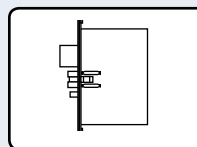
#### Deadbolt



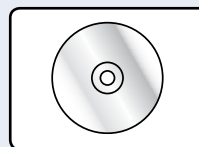
#### No Deadbolt



#### Auto-Deadbolt



#### PC Software



## KEY OVERRIDE OPTIONS

**Key-in-Lever Cylinder:** Kaba 1539 6-pin cylinder – Schlage "C" Keyway

**Interchangeable Core:** Small format – Best and equivalent (6 or 7-pin length); cylinder not included

## INSTALLATION

**Ease of Installation:** No wiring to or through the door – no risk of pinched wires

### Door Preparation:

**Cylindrical and Exit Trim** – ASA 161 (Easily installs on door preparation with three additional through bore holes (wood or metal doors)

**Mortise** – ASA 86 door preparation with three additional through bore holes

### Door Thickness:

Cylindrical Model: 1 3/8" (35 mm) to 2 1/2" (64 mm); pre-assembled to accommodate doors 1 3/8" (41 mm) to 2" (50 mm)

### Exit Trim and Mortise Models:

1 3/4" (44 mm) to 2 1/4" (57 mm). Pre-assembled to accommodate doors 1 3/4" (44 mm) to 2 1/8" (54 mm).

### Items Supplied:

**Cylindrical and Mortise** – Lock assembly, installation manual, template, quick reference guide, operations manual, and required hardware

**Exit Trim** – Lock assembly, installation manual, template, quick reference guide, operations manual, and required hardware

Exit Device and mounting hardware not included

### Additional Items (Supplied with Key-in-Lever Models Only):

Includes Universal Kaba 1539 6-pin cylinder in Schlage "C" Keyway with two nickel silver keys

## CERTIFICATION AND TESTING

**Accessibility Standard:** Americans with Disabilities Act (ADA)

**Durability:** ANSI/BHMA Grade 1 Certified (A156.25, A156.2, A156.13, A156.3)

**Fire Rating:** UL 10C Fire rated

**Environmental:** Indoor/Outdoor Approved; -31 °F (-35 °C) to +130 °F (55 °C)

## WARRANTY

**Warranty:** Three-year warranty from date of installation; built-in warranty counter in lock memory

## AVAILABLE FINISHES

**Standard Finish:** Satin Chrome 26D (626) housings and levers

**Optional Finish:** Satin Brass 04 (606) housings and levers

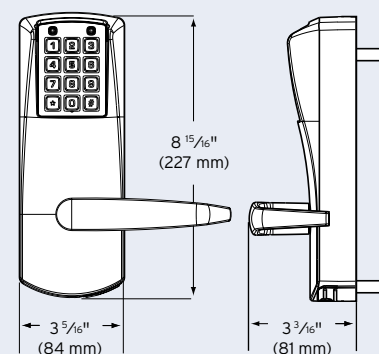


Satin Chrome

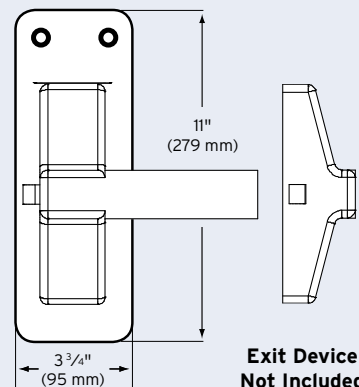


Satin Brass

## Exit Trim Dimensions



Exterior (PowerPlex 2000)



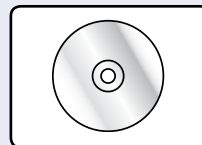
Interior

## Exit Device Compatibility

- Arrow Rim # 3800
- Corbin 5000 Series
- Detex Rim # F1001
- Detex Surface Vertical Rod #s 20/F20
- Dorma Rim # F9300
- Precision Rim #s 21/FL21
- Precision Surface Vertical Rod #s 22/FL22
- Sargent Rim # 8800
- Von Duprin Concealed Vertical Rod #s 9847/9947
- Von Duprin Mortise #s 9875/9975
- Von Duprin Rim #s 89/99
- Von Duprin Surface Vertical Rod #s 9827/9927
- Yale Concealed Vertical Rod #7160
- Yale Rim #7100

## Optional Feature

### PC Software



**Disclaimer:** While reasonable efforts were made to ensure the accuracy of this document at the time of printing, Kaba assumes no liability for any errors or omissions.  
This information is subject to be revised without notice, and changes may be incorporated in future releases.

Copyright © 2013 Kaba ADS Americas. All rights reserved.

**Kaba Access & Data Systems Americas**

2941 Indiana Ave

Winston-Salem, NC 27105

Tel: 1-800-849-8324

[www.kaba-adsamericas.com](http://www.kaba-adsamericas.com)

KAA1296 0413

BEYOND SECURITY

