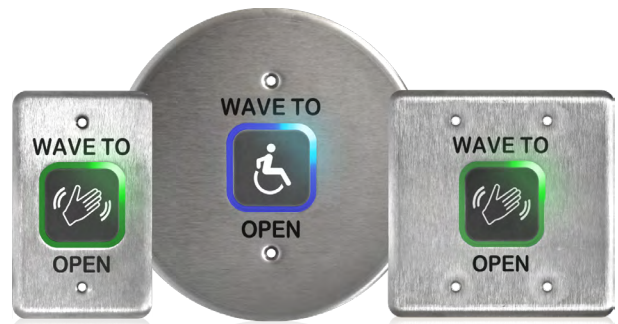




MS41

STAINLESS STEEL, TOUCHLESS ACTUATOR WITH ADJUSTABLE RANGE AND RELAY HOLD TIME



VIDEO



[Watch the product video](#)

TECHNOLOGY



CERTIFICATIONS



DESCRIPTION

BEA's **MAGIC SWITCH® Family** provides a highly accessible and germ-free door activation without physical contact. Reduce touchpoints in fast-paced environments that depend on sanitation like healthcare, retail, industrial and commercial settings.

Using microwave technology, BEA's **MS41** produces a detection field with a reliable and consistent transmission in interior and exterior applications. Capable of detecting a

moving hand, cart or wheelchair. Plus, an adjustable hold time offers flexibility to meet ANSI standards.

The **MS41** features rounded corners and a customizable illuminated ring with audible signaling. The durable design suits sterile, wash-down applications such as surgical, wash-down, clean room and pharmaceutical environments.



Durable Faceplate

Stainless steel faceplate increases durability and protection from daily cleaning

Ideal For Harsh Environments

IP55 rated enclosure capable of use in industrial and extreme washdown environments

High-Visibility

Animated or static illuminated ring allows for high-visibility in low light areas

Adjustable Detection Zone

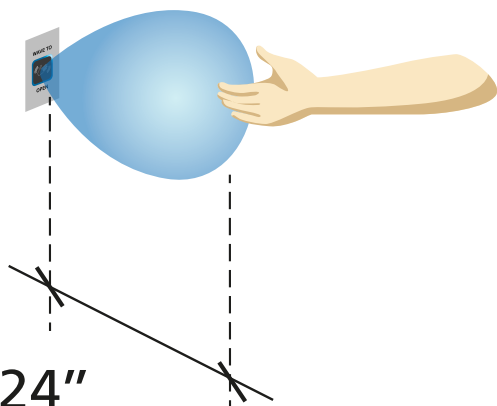
Adjustable sensing zone from 4 to 24 inches (timed or toggle)

Activation Alerts

Adjustable audible alert setting, including silent-mode required for hospitals and other noise-sensitive environments

Adjustable Hold Time

Configurable output hold time of ½ to 30 seconds allowing unique, user-defined device placement

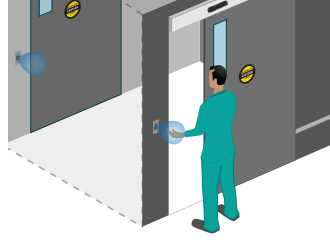


4 - 24"

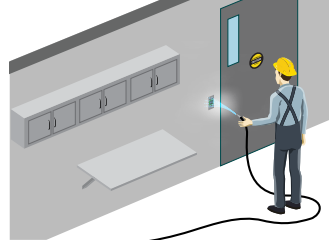
APPLICATIONS



Healthcare Environments



Clean Rooms and Sterile Facilities



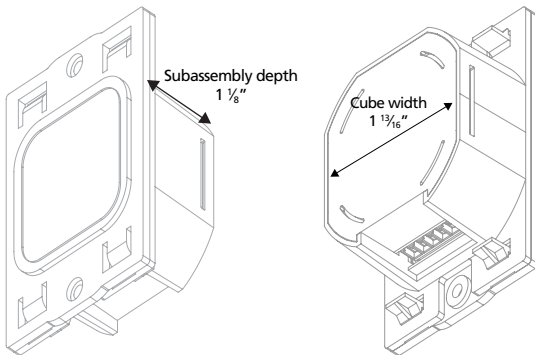
Washdown Resistant

TECHNICAL SPECIFICATIONS

Technology	Microwave Doppler Radar
Radiated Frequency	24.125 GHz
Radiated Power Density	< 5 mW/cm ²
Detection Mode	Motion (bidirectional)
Detection Range	4 – 24" (adjustable)
Output	Relay with switch-over contact (voltage-free)
Max. Contact Voltage	60 VDC / 125 VAC
Max. Contact Current	1A (resistive)
Max. Switching Power	30 W (DC) / 60 VA (AC)
Output Hold Time	0.5 – 30 s
Supply Frequency	50 – 60 Hz
Supply Voltage	12 – 24 VAC ±10% 12 – 24 VDC +30% / -10%
Power Consumption	< 1.5 W
Wire Gauge	26 – 22 AWG
Weight	0.34 lbs
Material	Stainless Steel
Temperature Range	-4 – 131 °F
IP Rating*	IP55 Apply silicone to achieve IP65
Dimensions	
Single Gang	4 ½" (H) × 2 ¾" (W) × ⅝" (T)
Double Gang	4 ½" (H) × 4 ½" (W) × ⅝" (T)
Round	6" (D) × ⅝" (T)
Cube	2 ⅛" (H) × 1 ⅜" (W) × 1 ⅛" (T)
Certification	EMC: 2004 / 108 / EC FCC: G9B-210161 IC: 4680A-210161

* See Users Guide

** MS41 Single, Double and Round adapter bracket 70.5236 is included in the box. The adapter bracket can be used to replace a mudring whose opening measures less than 2"



PRODUCT SERIES

<p>10MS41-S Stainless steel single gang - text + hand logo</p>	<p>10MS41-SA Stainless steel single gang - text + accessibility logo</p>	<p>10MS41-D Stainless steel double gang - text + hand logo</p>
<p>10MS41-DA Stainless steel double gang - text + accessibility logo</p>	<p>10MS41-R Stainless steel round plate - text + hand logo</p>	<p>10MS41-RA Stainless steel round plate - text + accessibility logo</p>
<p>10TD900TR 900 MHz retrofit transmitter</p>		
10MS41-SP	Stainless steel single gang - plain	
10MS41-DP	Stainless steel double gang - plain	
10MS41-RP	Stainless steel round plate - plain	

DISCLAIMER Information is supplied upon the condition that the persons receiving it will make their own determination as to its suitability for their purposes prior to use. In no event will BEA be responsible for damages of any nature whatsoever resulting from the use of or reliance upon information from this document or the products to which the information refers. BEA has the right without liability to change descriptions and specifications at any time.

WWW.BEASENSORS.COM



BEA AMERICAS / RIDC Park West / 100 Enterprise Drive / Pittsburgh, PA
T 1-800-523-2462 / F 1-888-523-2462 / E info-us@BEAsensors.com

A Halma company