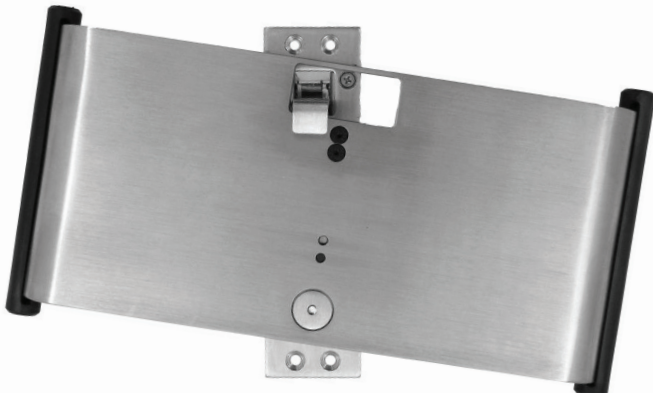


1069 Series

ADA Pocket Door Pull



1069L SHOWN IN LOCKED POSITION

The Trimco **1069 Series** pocket door pulls are uniquely designed to meet American with Disabilities Act (ADA) requirements for pocket door applications. With a Contemporary design and stylish black nylon handles the 1069 Series is built for the most demanding applications while remaining aesthetically pleasing. The 1069 Series is available in multiple functions and is fully customizable for most pocket door applications.

APPLICATIONS

- Hospitals
- Senior Living
- Hotels & Hospitality
- Schools
- Offices

FUNCTIONS

- **1069** – Passage
- **1069L** – Latching (non-locking)
- **1069FP** – Full Privacy

POCKET DOOR LOCKS & PULLS

PRODUCT FEATURES

- Complete pocket door ADA solution
- Multiple functions for different applications
- Exterior emergency access on Full Privacy
- Customizable product

SPECIFICATIONS

DOORS

1-3/8" and 1-3/4" doors standard. Custom options available.

STANDARDS



ANSI A117.1
Accessibility Code
(ADA Compliant)

FRAMES

Up to 5-1/2" standard.
Custom options available.

WARRANTY

Lifetime Mechanical &
Limited Finish Warranty

MATERIAL OPTIONS

- BR** – Brass
- BZ** – Bronze
- SS** – Stainless Steel

NOTES

Custom sizes also available
for various frame sizes.
Must specify handing.

FINISHES

499	Polished Brass, No Lacquer
605	Polished Brass
606	Satin Brass, Dull
609	Satin Brass and Black
610	Satin Brass, Black Relieved
611	Polished Bronze
612	Satin Bronze
613	Oil Rubbed Bronze
616	Satin Bronze, Black Relieved
619	Satin Nickel Plated, Clear
629	Polished Stainless Steel
630	Satin Stainless Steel

1069 Series

ADA Pocket Door Pull

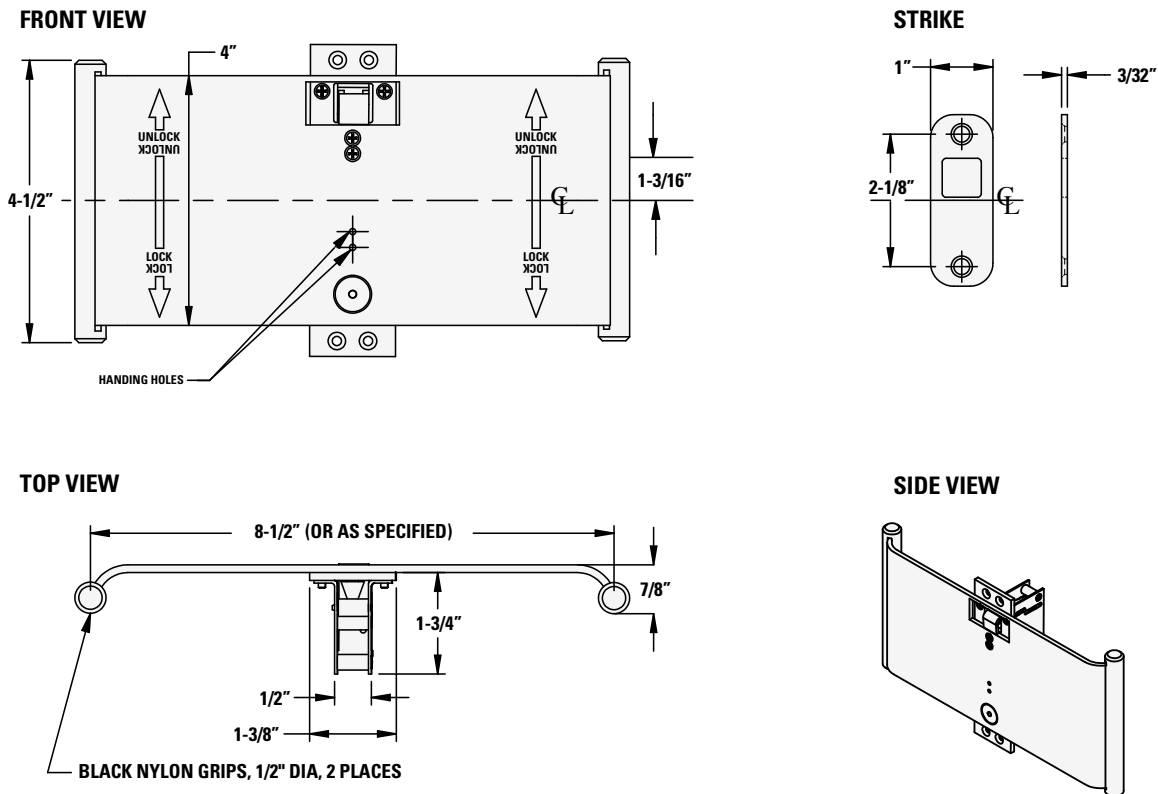
HOW TO SPECIFY & ORDER

CHOOSE THE FOLLOWING

SERIES	OPTIONS	HANDING – FULL PRIVACY ONLY	FINISHES
<ul style="list-style-type: none"> • 1069 Passage • 1069L Latching (non-locking) • 1069FP Full Privacy 	<ul style="list-style-type: none"> • CUST – Custom Size / Application 	<ul style="list-style-type: none"> • RH – Right Hand • LH – Left Hand 	<ul style="list-style-type: none"> • 605 Polished Brass • 613 Oil Rubbed Bronze • 630 Satin Stainless Steel • SPEC – Special Finish (See finish list for all options)

EXAMPLE

For a right hand ADA full privacy locking pocket door pull in stainless steel, specify or order: **1069FP RH 630**



* Dimensions are informational only. Templates are available at www.trimcohardware.com