


Technical Support

 1.800.672.7298



 supportUS@paxton-access.com



Technical help is available: Monday - Friday from 02:00 AM - 8:00 PM (EST)

Documentation on all Paxton products can be found on our web site - <http://www.paxton-access.com/>

For instructions in alternative languages - <http://paxton.info/1000>

Suitability

Security sensitive doors 
Wet environments 

Mounted on metal surface 
Readers mounted together 

K 
KP 
12 inches
between readers

Mounting



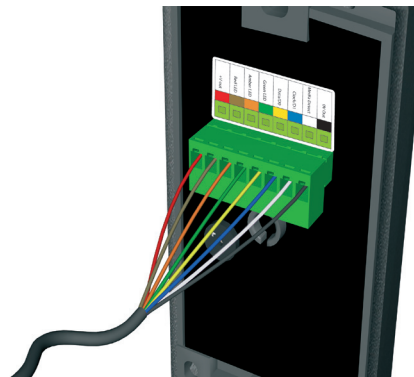
This keypad is designed to provide a Clock and Data output for Paxton (Net2 / Switch2).
The KP series readers will also read Paxton tokens (Hitag2) and EM4100 tokens.

K75 Screw connector option

NOTE: The unit should be mounted in conjunction with an electrical backbox to achieve the required clearance for the connector.

If an adaptor plate (310-750-US) is fitted, the mountings on the backbox can also be used.

This unit is for Indoor use only



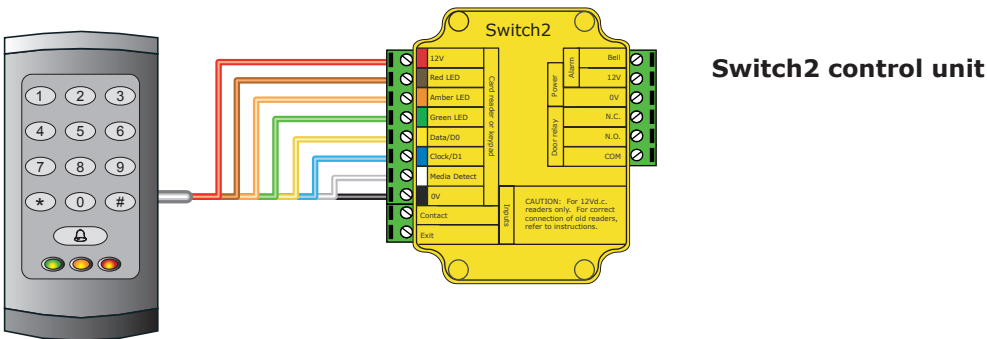
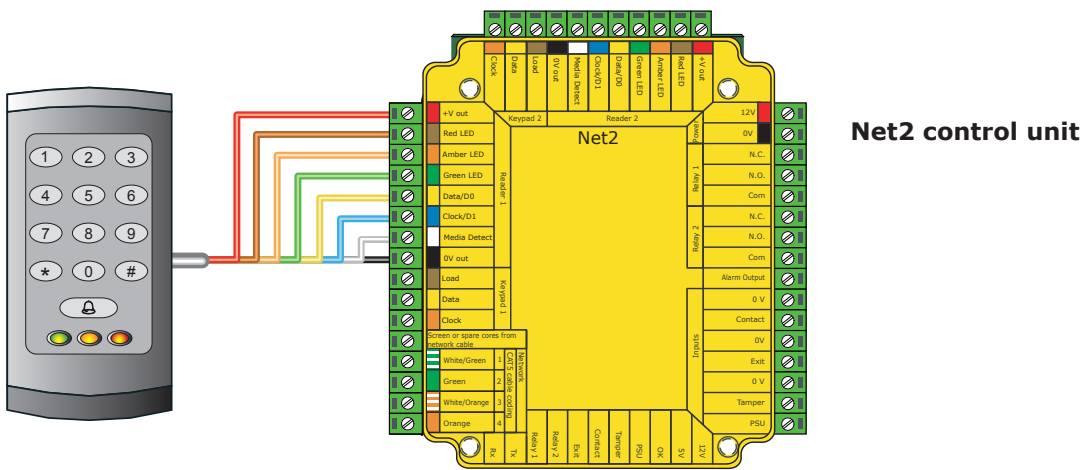
NOTE: Illustrations in this instruction show the standard keypad.

The Stainless Steel version installs and operates in exactly the same manner.

Options

Part number	Description
351-110-US	TOUCHLOCK K50 keypad
371-110-US	TOUCHLOCK K75 keypad
371-120-US	TOUCHLOCK K75 keypad - screw connection
352-110-US	TOUCHLOCK K50 keypad - stainless steel
372-110-US	TOUCHLOCK K75 keypad - stainless steel
372-120-US	TOUCHLOCK K75 keypad - screw connection - stainless steel
355-110-US	TOUCHLOCK KP50 keypad
375-110-US	TOUCHLOCK KP75 keypad
375-120-US	TOUCHLOCK KP75 keypad - screw connection

Wiring



Cable extensions

Cable Specification

Use	Max length	Type
Reader / Keypad	500 feet	8 core, shielded - Belden 9538, Alpha 1298C (22AWG) or equivalent

Parts Kit		
Option	Part number	Description
K50 & KP50	Fitting Kit fk1-059	(5) Cable clips
		(3) No6 x 3/4 woodscrew - zinc
		(3) Wall plugs 22mm
		(1) 8mm x 3mm small self tapping screw - zinc
K75 & KP75	Fitting Kit fk1-061	(5) Cable clips
		(3) No8 x 1 woodscrew - zinc
		(3) Wall plugs 35mm
		(1) 8mm x 3mm small self tapping screw - zinc

Unit installation / test / Maintenance

This unit is for Indoor use only

Standard Unit - Drill a hole in the surface for the rear data cable. Secure the unit to the surface with three screws as per fitting diagram on page 1. 3 suitable screws and fixings are provided for fitting the unit to a wall. Ensure the data cable has free access at the rear.

A choice of black and white covers are also provided. Hook the required cover over the top of the reader, press home at the bottom and secure with the single fixing screw.

Screw Terminal Unit - The adapter (310-750-US) is mounted to a standard backbox using the fixing screws provided. The 75mm reader is then mounted onto the adapter using the fitting kit provided with the reader.

KP series - When choosing a location for the reader, ensure that it is at least 12 inches from other readers. This will include readers mounted on the other side of the same wall as the radio signal will cause interference and reduce the read range. The reader should not be used on metal surfaces as the reflected signal will also reduce the range.

Powering up the keypad will cause all the LEDs to come on. Once the control unit has been configured to accept keypad input (see controller instructions) pressing any key will make the keypad sound a bleep. Check the following FAQ section for assistance if any problems are encountered.

Following the completed installation of this equipment, no further maintenance or testing is required.

It is advisable to ensure that any third party backup power supplies or recovery procedures are checked regularly to ensure that the operation of the Paxton system is not compromised.

FCC Compliance

Class B digital devices.

This equipment has been tested and found to comply with the limits for a Class B digital device, pursuant to Part 15 of the FCC Rules. These limits are designed to provide reasonable protection against harmful interference in a residential installation. This equipment generates, uses and can radiate radio frequency energy and, if not installed and used in accordance with the instructions, may cause harmful interference to radio communications. However, there is no guarantee that interference will not occur in a particular installation. If this equipment does cause harmful interference to radio or television reception, which can be determined by turning the equipment off and on, the user is encouraged to try to correct the interference by one or more of the following measures:

- Reorient or relocate the receiving antenna.
- Increase the separation between the equipment and receiver.
- Connect the equipment into an outlet on a circuit different from that to which the receiver is connected.
- Consult the dealer or an experienced radio/TV technician for help.

Class A digital devices.

This equipment has been tested and found to comply with the limits for a Class A digital device, pursuant to part 15 of the FCC Rules. These limits are designed to provide reasonable protection against harmful interference when the equipment is operated in a commercial environment. This equipment generates, uses, and can radiate radio energy and, if not installed and used in accordance with the instruction manual, may cause harmful interference to radio communications. Operation of this equipment in a residential area is likely to cause harmful interference in which case the user will be required to correct the interference at his own expense.

This device complies with Part 15 of the FCC Rules. Operation is subject to the following two conditions:

- (1) this device may not cause harmful interference, and
 - (2) this device must accept any interference received, including interference that may cause undesired operation.
- Changes or modifications not expressly approved by the party responsible for compliance could void the user's authority to operate the equipment.

Specifications			
Environment	Min	Max	
Operating temperatures - all items	-35 °C (-31 °F)	+66 °C (+151 °F)	
Waterproof - Fixed cable	IPX7		Outdoor use
Waterproof - K75 - Screw connection			Indoor use
Cable length			10 feet
Electrical	Min	Max	
Voltage	9V DC	13V DC	
Current		120 mA	
Clock and data bit period			600 µs
Backlight	Not with Stainless Steel keypad		
Dimensions	Width	Height	Depth
K50	2 inch	4 inch	5/8 inch
K75	3 inch	5 1/2 inch	5/8 inch

KP Specific			
Electrical	Min	Max	
Voltage			12V DC
Current		180 mA	
Clock and data bit period			600 µs
Carrier frequency			125 kHz
Dimensions	Width	Height	Depth
KP50	2 inch	4 inch	5/8 inch
KP75	3 inch	5 1/2 inch	5/8 inch
Read Range	Token	Keyfob	Hands Free Token
KP50	3 inch	2 inch	4 feet
KP75	4 inch	2 1/2 inch	5 feet

Product compliance and limitations

To comply as a UL listed installation, the following conditions must apply:-

Server based functions (Antipassback, Time and Attendance, etc) have not been evaluated by UL and cannot be used for UL 294 installations.

The use of Wiegand readers and the configuration software has not been evaluated by 'UL'

Wiring: - Where an equivalent cable / wire is used it must be ' UL Listed '
All interconnecting devices must be UL Listed.

Wiring methods shall be in accordance with the National Electrical Code (ANSI/NFPA70), local codes, and the authorities having jurisdiction.

For CAN/ULC-S319 installations, terminals, leads and wiring methods must comply with CSA, C22.1, Canadian electrical code, Part 1, safety standards for electrical installations.

The use of any add-on, expansion, memory or other module manufactured or supplied by the manufacturer's representative will invalidate the CAN/ULC-S319 certification.

This device complies with Industry Canada licence-exempt RSS standard(s). Operation is subject to the following two conditions: (1) this device may not cause interference, and (2) this device must accept any interference, including interference that may cause undesired operation of the device.