


**BOSCH**

Invented for life

# DS160 Series High Performance Request-to-exit Detectors



- ▶ Door monitor with sounder alert
- ▶ Sequential Logic Input (SLI)
- ▶ Internal vertical pointability
- ▶ Wrap-around coverage pattern with precise pattern control
- ▶ Up to 64 second adjustable latch time
- ▶ Selectable relay trigger mode
- ▶ Selectable fail-safe or fail-secure modes
- ▶ Adjustable sounder volume
- ▶ Activation LED

The DS160 Series consists of the DS160 Detector (light gray) and the DS161 Detector (black) specifically designed for Request-to-exit (REX) applications. With features such as timers, door monitor with sounder alert, and pointable coverage, the DS160 and DS161 have the flexibility to meet the most stringent REX requirements. The exclusive Sequential Logic Input (SLI) provides added security that is not offered in any other REX device.

## Sounder Alert

An integrated sounder can be programmed to activate if the door is left open too long. The sounder volume is fully adjustable to 85 dB.

## Keycard Input

The keycard input allows the sensor relay to be controlled from an external source, such as an access control system or card reader.

## Functions

### Sequential Logic Input (SLI)

The SLI terminal allows connection of a second device to require sequential detection. This eliminates the possibility that an object that is slid through the door or underneath the door will activate the detector. This input can also be used to lock the sensor if motion is present outside the premises.

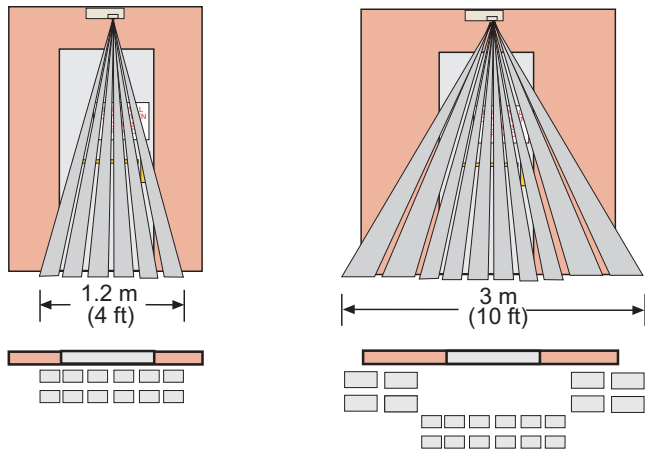
### Door Monitor

The sensor can monitor a door contact to allow special control of the internal relay. For example, if the door is opened within the relay time period, the sensor can be programmed to halt the timer. If the door is not opened within a specific time period, the relay can be programmed to deactivate.

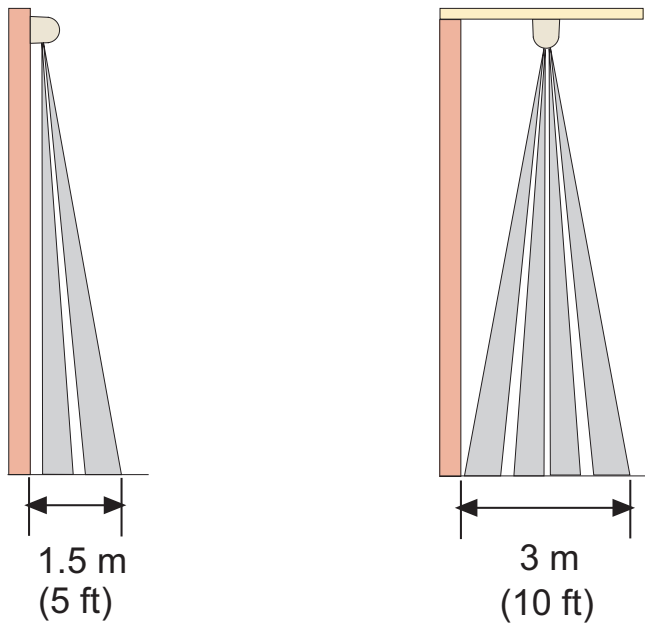
## Certifications and Approvals

Region	Certification	
Europe	CE	2004/108/EC EMC Directive; 2006/95/EC Low-Voltage Directive; EN50130-4:1995 +A1:1998 +A2:2003/JULY 2011, EN55022:2006 +A1:2007 +A2:2010/JULY 2011, EN60950-:2006 +A11:2009 +A1:2010/JULY 2011
USA	UL	ALVY: Access Control Systems Units (UL294)
Europe		Complies with EN50131-1 Grade 2

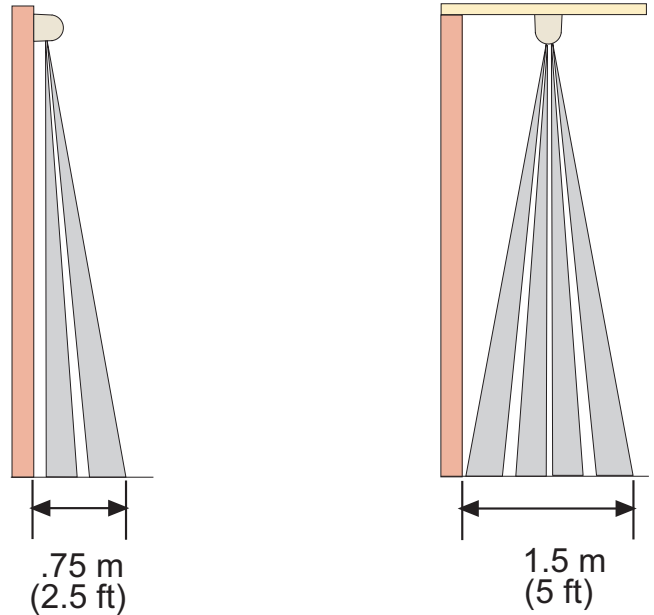
**Installation/Configuration Notes**



**Front View**  
 Mounted on wall above door and mounted on ceiling .75 m (2.5 ft) in front of the door.



**Side View**  
 The higher that you mount the unit, the larger the coverage area. Do not mount the DS160/DS161 more than 4.6 m (15 ft) above the floor.  
 Side view of coverage pattern with the unit mounted at 4.6 m (15 ft) above the floor with the lens pointed straight down.



**Side View**  
 The higher that you mount the unit, the larger the coverage area. Do not mount the DS160/DS161 more than 4.6 m (15 ft) above the floor.  
 Side view of coverage pattern with the unit mounted at 4.6 m (15 ft) above the floor with the lens pointed straight down.

**Coverage Information**

The coverage (detection area) varies depending on the mounting height above the floor, angle of the lens, and whether the unit is mounted on a wall above the door or on the ceiling. The coverage is 2.4 m x 3 m (8 ft x 10 ft). The coverage patterns for the detector at a height of 2.3 m (7.5 ft) are shown. The coverage pattern increases or decreases with height and detector alignment.

**Note** When you mount the unit on the wall and the lens points straight down, some detection zones point toward the wall and do not detect movement.

The diagrams depict views of the coverage pattern with the detector mounted at 2.3 m (7.5 ft) above the floor with the lens pointed straight down. Zones that are pointed toward the wall are not shown.

## Technical Specifications

### Environmental

Operating Temperature: -29°C to +49°C (-20°F to +120°F)  
For UL Certificated installations, 0°C to +49°C  
(+32°F to +120°F)

Radio Frequency Interference (RFI) Immunity: No alarm or setup on critical frequencies in the range from 26 MHz to 1000 MHz at 50 V/m

Complies with Environmental Class II (EN50130-5)

### Mechanical

Dimensions: 4.5 cm x 17.1cm x 4.4 cm  
(1.80 in. x 6.75 in. x 1.75 in.)

Material: High impact ABS plastic enclosure

### Modes

Power Loss Default: Programmable fail-safe or fail-secure modes.

Timer: Programmable reset accumulative or non-reset counting mode.

### Electrical

Current Draw: 8 mA nominal standby current, 39 mA at 12 VDC in alarm

Voltage: 12 VAC or VDC to 30 VAC or VDC

Alarm Output: Two Form C relay contacts each rated 1 A at 30 VAC or VDC for resistive loads

Indicators: 1 activation LED

Relay Latch Time: Adjustable from 0.5 sec to 64 sec.

## Ordering Information

### DS160 Request-to-exit Detector **DS160**

Light gray enclosure. For use in request-to-exit (REX) applications. Provides 2.4 m x 3 m (8 ft x 10 ft) coverage, timers, door monitor with sounder alert, and pointable coverage.

### DS161 Request-to-exit Detector **DS161**

Black enclosure. For use in request-to-exit (REX) applications. Provides 2.4 m x 3 m (8 ft x 10 ft) coverage, timers, door monitor with sounder alert, and pointable coverage.

### Accessories

#### TP160 Trim Plate **TP160**

A light gray trim plate used when mounting the detector over a standard single-gang box.

#### TP161 Trim Plate **TP161**

A black trim plate used when mounting the sensor over a standard single-gang box.

**Americas:**  
Bosch Security Systems, Inc.  
130 Perinton Parkway  
Fairport, New York, 14450, USA  
Phone: +1 800 289 0096  
Fax: +1 585 223 9180  
security.sales@us.bosch.com  
www.boschsecurity.us

**Europe, Middle East, Africa:**  
Bosch Security Systems B.V.  
P.O. Box 80002  
5600 JB Eindhoven, The Netherlands  
Phone: + 31 40 2577 284  
Fax: +31 40 2577 330  
emea.securitysystems@bosch.com  
www.boschsecurity.com

**Asia-Pacific:**  
Robert Bosch (SEA) Pte Ltd, Security Systems  
11 Bishan Street 21  
Singapore 573943  
Phone: +65 6258 5511  
Fax: +65 6571 2698  
apr.securitysystems@bosch.com  
www.boschsecurity.asia

**Represented by**