

# NOVA SERIES 5 & 55

## MORTISE LOCKSETS ANSI 156.13 GRADE 1

### NOVA SERIES 5 & 55 MORTISE LOCKSETS

Our Nova Series Mortise Locksets represent years of development into world class BHMA Certified mortise locksets and carry the Marks Lifetime Mechanical Warranty. The Nova Series is available with a variety of different knobs, levers, roses and plates as well as custom capabilities with 32 functions in popular finishes. Whether your application is a single style single function lockset or an entire complex with multiples and varieties, the Nova Series has the form, fit and competitive price to complete your project.

5RR57/26D

5DR96/32D

5RW96EL/32D

**BHMA CERTIFIED**

UL LISTED

- Nova Series Grade 1 Mortise Locksets are **BHMA** Certified
- Thru-bolted trim for proper alignment and ease of installation
- Self adjusting spindles • Independent lever support springs
- *Lifetime Mechanical Warranty*

AUTO-REVERSING MORTISE LOCKSET NOW AVAILABLE!

EASILY REVERSIBLE WITHOUT REMOVING THE COVER OR INTERNAL PARTS

Electrified Models Excluded

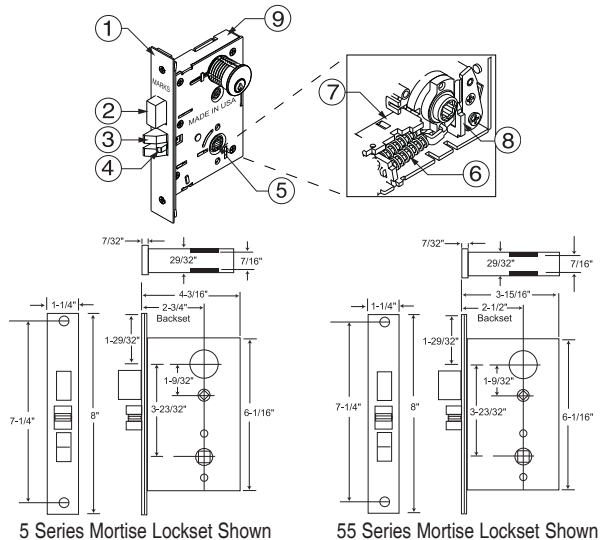
MARKS # 5 & 55	FUNCTION	ANSI #	FINISH GROUPS
<b>KEYED SINGLE CYLINDER, NO DEADBOLT</b>			
D	OFFICE / VESTIBULE		
DW	VESTIBULE		
E	OFFICE	F04	
EW	STOREROOM	F07	
J	CLASSROOM	F05	
JM, JR	HOSPITAL (HOLDBACK)	F06	
GL	INST. PRIVACY	F26	
EL	ELECTRICALLY LOCKED		
EU	ELECTRICALLY UNLOCKED		
<b>KEYED SINGLE CYLINDER, WITH DEADBOLT</b>			
A	ENTRANCE	F08, F10	
B	ENTRANCE	F21	
F	DORMITORY	F12	
FS	DORMITORY		
FW	DORMITORY	F13	
FD	APARTMENT	F20	
H	HOTEL	F15	
LH	SPEC. PRIVACY		
<b>KEYED DOUBLE CYLINDER, NO DEADBOLT</b>			
G	ENTRANCE	F09	
GC	INTRUDER LATCHBOLT	F32	
GG	CLASSROOM SECURITY		
GR	CLASSROOM SECURITY w/HOLDBACK		
WW	INSTITUTION	F30	
<b>KEYED DOUBLE CYLINDER, WITH DEADBOLT</b>			
AC	ENTRANCE	F35	
C	STOREROOM	F14	
FC	INTRUDER DEADBOLT	F34	
FA	DORMITORY	F11	
FX	DORMITORY	F33	
<b>KEYLESS</b>			
N	PASSAGE	F01	
L	BATHROOM	F02	
LF	PRIVACY	F19	
LJ	PRIVACY	F22	
EX	EXIT	F31	

3, 10, 10B,  
32, 32D

#### STANDARD FEATURES

5 Series (2-3/4" backset); 55 Series (2-1/2" backset)

- Lock Front:** Adjustable bevel steel backplate 1-1/4" x 8" x 7/64" thick stainless steel. Cover plate 1/16" thick.
- Deadbolt:** Stainless steel with hardened roll pins, 1" throw.
- Latch:** Solid stainless steel with antifriction latch lever, 3/4" throw (reversible).
- Auxiliary Deadlatch:** 1/2" throw (reversible).
- Hubs:** Steel, 9/32" on diamond, 5/16" on square with security separator. Independent exterior and interior lever support springs.
- Lever Support Springs:** Lever support springs with 5/16" Hubs
- Hub Follower:** (to lock hub) steel 1/8" thick.
- Hub Stop:** (to limit lever travel) steel 1/8" thick.
- Case:** Stamped steel 3/32" thick, zinc dichromate finish.



**\*Standard & HI-SECURITY™ IC Core Models:**  
Interchangeable Core models for 6 or 7 pin cores (not included).  
**Accepts:** Marks, Marks HI-SECURITY™, Medeco®, KeyMark™, Falcon, Schlage® small format & Best®. **IC Core Tailpieces ARE Included.**

**LIFETIME MECHANICAL WARRANTY** • FINISHES ARE EXCLUDED FROM THIS WARRANTY

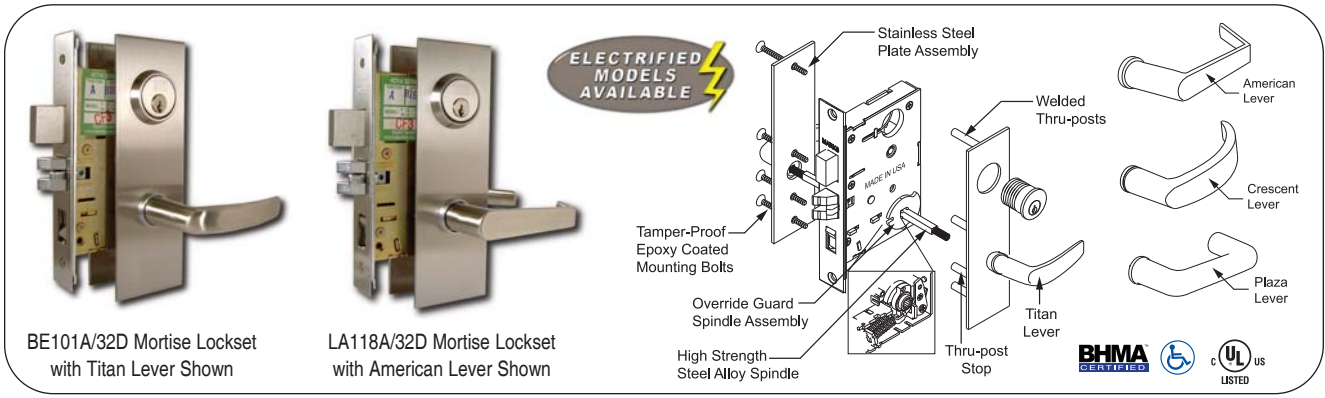
**CRAFTED WITH PRIDE IN THE USA**

# PROTECTOR SERIES

## MAXIMUM SECURITY MORTISE LOCKSETS ANSI 156.13 GRADE 1

### PROTECTOR SERIES

All Marks USA Protector Series mortise locksets feature an "Override Guard" which is designed to result in spindle failure when torque of over 550 foot lbs. is applied. The lockset remains locked and when spindle is replaced, the lockset is fully operational. Protector Series locksets have a lifetime mechanical warranty, meet or exceed all operational and security tests of ANSI A156.13-2002 for Series 1000, Grade 1. Protector Series Locksets are UL listed, 3-hour fire rated and meet ADA requirements.



MARKS # BE101 & LA118	FUNCTION	ANSI #	FINISH GROUPS❖	MARKS # BE101 & LA118	FUNCTION	ANSI #	FINISH GROUPS❖	
<b>KEYED SINGLE CYLINDER, NO DEADBOLT</b>				<b>KEYED DOUBLE CYLINDER, NO DEADBOLT</b>				
D	OFFICE VESTIBULE		<b>3, 10, 10B, 32D</b>	G	ENTRANCE	F09	<b>3, 10, 10B, 32D</b>	
DW	VESTIBULE			GC	INTRUDER LATCHBOLT	F32		
E	OFFICE	F04		WW	INSTITUTION	F30		
EW	STOREROOM	F07		<b>KEYED DOUBLE CYLINDER, WITH DEADBOLT</b>				
GL	INST. PRIVACY	F26		AC	ENTRANCE	F35		
J	CLASSROOM	F05		C	STOREROOM	F14		
JM, JR	HOSPITAL (HOLDBACK)	F06		FC	INTRUDER DEADBOLT	F34		
EL	ELECTRICALLY LOCKED			FA	DORMITORY	F11		
EU	ELECTRICALLY UNLOCKED			FX	DORMITORY	F33		
<b>KEYED SINGLE CYLINDER, WITH DEADBOLT</b>				<b>KEYLESS</b>				
A	ENTRANCE	F08, F10	N	PASSAGE	F01	<b>3, 10, 10B, 32D</b>		
B	ENTRANCE	F21	L	BATHROOM	F02			
F	DORMITORY	F12	LF	PRIVACY	F19			
FS	DORMITORY		LJ	PRIVACY	F22			
FW	DORMITORY	F13	EX	EXIT	F31			
FD	APARTMENT	F20	<b>DUMMY TRIM</b>					
H	HOTEL	F15	DI, DO	DUMMY TRIM INSIDE/OUTSIDE				
LH	SPEC. PRIVACY		DT	DUMMY TRIM				

❖ Additional Finishes, Consult Factory.

#### STANDARD FEATURES

##### Performance Specifications:

Life Test: 1,500,000 cycles minimum.

##### Exterior and Interior Trim Specifications:

Brushed stainless steel plate assemblies with machined lever bearings.  
Screwless stainless steel levers assembled to plate with hardened snap rings.  
(Levers cannot be removed without disassembling trim plates from inside.)

Additional trim designs are available with override guard lock protection, Consult factory.

Exterior: 4 welded thru-posts. Center posts pass through lock body, automatically aligning trim 8-1/2" x 2-3/4" x 1/8" thick

Interior: 4 stainless steel, tamper-proof mounting bolts connecting inside plate, 8-1/2" x 2-3/4" x 1/8" thick

Cylinder: 1-1/8" long solid brass, 6 pin with 2 keys

Strike: 4-7/8" x 1-1/4" x 3/32" thick, 5/8" curved lip  
Conforms to ANSI spec., A115.1

Door Thickness: 1-3/4" standard. Extended range available  
Screwless Lever Choices: American, Crescent, Plaza & Titan

##### Lock Specifications: 5 Series (2-3/4" Backset)

##### **NOVA SERIES GRADE 1 MORTISE LOCKSETS ARE BHMA CERTIFIED**

Lock Front: Adjustable bevel steel backplate 1-1/4" x 8" x 7/64" thick;

Cover plate 1/16" thick with tamper-proof screws

Deadbolt: Stainless steel with hardened roll pins, 1" throw

Latch: Solid stainless steel with antifriction latch lever, 3/4" throw (reversible)

Aux. Deadlatch: 1/2" throw (reversible)

Case: Stamped steel 1/16" thick

Hubs: Steel, 5/16" on square w/security separator, 9/32" on diamond;  
Independent exterior and interior lever support springs

Hub Lock Arm: Steel 1/8" thick (to lock hub)

Exterior Lever Override Guard Integral cam spindle/spring assembly engages hub lock arm, case hardened steel, 1/8" thick.

Interior Lever Override Guard Integral cam spindle/spring assembly prevents interior lever override, case hardened steel, 1/8" thick

❖ **Standard & HI-SECURITY™ IC Core Models:** Interchangeable Core models for 6 or 7 pin cores (not included). **Accepts:** Marks, Marks HI-SECURITY™, Medeco®, KeyMark™, Falcon, Schlage® small format & Best®. **IC Core Tailpieces ARE Included.**



**LIFETIME MECHANICAL WARRANTY** • FINISHES ARE EXCLUDED FROM THIS WARRANTY

**CRAFTED WITH PRIDE IN THE USA**



# MORTISE LOCKSET FUNCTIONS

## ANSI 156.13 GRADE 1

### MORTISE LOCKSET FUNCTIONS

MORTISE LOCKSET FUNCTIONS

SINGLE CYLINDER FUNCTIONS				SINGLE CYLINDER FUNCTIONS			
ANSI #	Strike	Marks Function		ANSI #	Strike	Marks Function	
		I/S	O/S			I/S	O/S
<b>F04: OFFICE</b> Latch by knob/lever either side except when outside knob/lever locked by stop-button in front; then by key outside. Auxiliary latch deadlocks latch. Inside always open.	5036		E	<b>F20: APARTMENT</b> Latch by knob/lever either side except when outside locked by stop-button or projected deadbolt. Latch deadlocked by auxiliary latch or deadbolt. Deadbolt and latch by key outside. Deadbolt by turnpiece inside. Inside knob/lever retracts latch & deadbolt simultaneously, leaving outside locked.	5035		FD
<b>F05: CLASSROOM</b> Latch by knob/lever either side except when outside knob/lever locked by key. When locked, latch bolt retracted by key. Inside always open. Auxiliary latch deadlocks latch.	5036		J	<b>F21: ENTRANCE</b> Latch by knob/lever either side. Deadbolt by key outside, turnpiece inside. Deadbolt deadlocks latch.	9035		B
<b>F06: HOLDBACK "A"</b> Latch by knob/lever either side except when outside knob/lever locked or unlocked by key. Auxiliary latch deadlocks latch. Inside always open. Inside knob/lever unlocks outside lever. Latch bolt can be locked in retracted position by locking inside hub. Can be used with blank outside trim.	5036		JM	<b>F26: INSTITUTIONAL PRIVACY</b> Latch by knob/lever either side except when outside knob/lever locked by inside thumbturn. Latch deadlocked by auxiliary latch. Key outside opens latch. When outside locked, inside knob/lever retracts latch, automatically unlocking outside knob/lever.	5036		GL
<b>F06: HOLDBACK "B"</b> Latch by knob/lever either side except when outside knob/lever locked or unlocked by key. Auxiliary latch deadlocks latch. Inside always open. Inside knob/lever will not unlock outside knob/lever. Latch bolt can be locked in retracted position by locking outside hub. Can not be used with blank outside trim.	5036		JR	<b>OFFICE VESTIBULE:</b> Latch by knob/lever either side except when outside knob/lever locked by stop-button in front; then by key outside.	9035		D
<b>F07: STOREROOM</b> Latch by knob/lever inside, key outside. Outside knob/lever always rigid. Auxiliary latch deadlocks latch. Inside always open.	5036		EW	<b>VESTIBULE:</b> Latch by knob/lever inside, key outside. Outside knob/lever always rigid.	9035		D W
<b>F08, F10: ENTRANCE</b> Latch by knob/lever either side except when outside locked by stop-button; then by key outside, knob/lever inside. Deadbolt by key outside, turnpiece inside. Deadbolt deadlocks latch.	9035		A	<b>DORMITORY:</b> Latch by knob/lever inside. Outside knob/lever always rigid. Deadbolt and latch by key outside. Deadbolt by turnpiece inside. When deadbolt is projected, latch is deadlocked. Inside knob/lever retracts latch and deadbolt simultaneously.	9035		FS
<b>F12: DORMITORY</b> Latch by knob/lever either side except when outside knob/lever locked by stop-button or projected deadbolt. Deadbolt by turnpiece inside. Inside knob/lever retracts latch and deadbolt simultaneously, leaving outside locked. Deadbolt deadlocks latch.	9035		F	<b>SPECIAL PRIVACY:</b> Inside knob/lever always free, outside rigid. Latch by knob/lever inside, key outside. Deadbolt by turnpiece inside, emergency release outside. Inside knob/lever retracts deadbolt and latch simultaneously. Auxiliary latch deadlocks latch.	5035		LH
<b>F13: DORMITORY</b> Latch by knob/lever either side except when projected deadbolt locks outside knob/lever and deadlocks latch. Deadbolt and latch by key outside. Deadbolt by turnpiece inside. Inside knob/lever retracts latch and deadbolt simultaneously, automatically unlocking outside knob/lever.	9035		FW	<b>STOREROOM:</b> Latch by thumbpiece inside. Key outside.	9035		DN
<b>F15: HOTEL</b> Inside knob/lever always free, outside rigid. Latch by knob/lever inside, key outside. (When deadbolt projected by turnpiece all keys are shut out except emergency key). Inside knob/lever retracts deadbolt and latch simultaneously. Auxiliary latch or deadbolt deadlocks latch. Indicator available.	5035		H	<b>STOREROOM:</b> Latch by thumbpiece or knob/lever inside. Key outside. Auxiliary latch deadlocks latch.	5036		EN
<b>SINGLE CYLINDER FUNCTIONS</b>				<b>ELECTRIFIED FUNCTIONS</b>			
				<b>ELECTRICALLY LOCKED (Fail Safe):</b> Outside always locked electrically. Open by key outside, switch or loss of power. Auxiliary latch deadlocks latch. Inside always open.	5036		EL
				<b>ELECTRICALLY UNLOCKED (Fail Secure):</b> Outside always locked until unlocked by key or electrically energized. Auxiliary latch deadlocks latch. Inside always open.	5036		EU

# MORTISE LOCKSET FUNCTIONS

## ANSI 156.13 GRADE 1

### MORTISE LOCKSET FUNCTIONS

DOUBLE CYLINDER FUNCTIONS				NON-KEYED FUNCTIONS			
ANSI #	Strike	Marks	Function	ANSI #	Strike	Marks	Function
<b>F09: ENTRANCE</b> Latch by knob/lever either side except when outside knob/lever locked by key inside, latch retracted by key outside. Outside remains locked. Auxiliary latch deadlocks latch.		I/S		<b>F01: PASSAGE</b> Latch by knob/lever either side.		O/S	
		O/S				N	
<b>F11: DORMITORY</b> Latch by knob/lever either side except when outside knob/lever locked by stop-button or projected deadbolt. Deadbolt by key either side. Inside knob/lever retracts latch and deadbolt simultaneously leaving outside locked. Deadbolt deadlocks latch.				<b>F02: BATHROOM*</b> Latch by knob/lever either side. Deadbolt by turnpiece inside. Deadbolt deadlocks latch. To unlock from outside, remove emergency button, insert emergency key in access hole and turn. Optional coinkey assembly available.			
						L	
<b>F14: STOREROOM</b> Latch by knob/lever either side. Deadbolt by key either side. Deadbolt deadlocks latch.				<b>F19: PRIVACY*</b> Latch by knob/lever either side except when projected deadbolt locks outside knob/lever and deadlocks latch. Deadbolt by turnpiece inside. Inside knob/lever retracts latch and deadbolt simultaneously, automatically unlocking outside knob/lever. To unlock from outside, remove emergency button, insert emergency key in access hole and turn. Optional coinkey assembly available.			
						LF	
<b>F24: APARTMENT HANDLE</b> Latch by thumbpiece either side except when outside is locked by key inside. When outside is locked, latch retracted by key outside or thumbpiece inside. Auxiliary latch deadlocks latch.				<b>F22: PRIVACY</b> Latch by knob/lever either side except when outside knob/lever is locked by inside turnpiece. Turning inside knob/lever or closing door unlocks outside lever. To unlock from outside, remove emergency button, insert emergency key in access hole and turn. Optional coinkey assembly available.			
						LJ	
<b>F25: STOREROOM "B" Body</b> Latch by thumbpiece either side. Deadbolt by key either side.				<b>F31: EXIT</b> Latch by knob/lever inside, non-removable blank trim or no trim outside. Auxiliary latch deadlocks latch.			
						EX	
<b>F25: STOREROOM</b> Latch by thumbpiece either side except when outside thumbpiece locked by stop-button in front; then by key outside. Deadbolt by key both sides. Deadbolt deadlocks latch.				<b>DEADBOLT FUNCTIONS</b>			
				SO			
<b>F30: INSTITUTION</b> Both knob/levers rigid. Auxiliary latch deadlocks latch. Latch by key either side.				<b>F16: DEADLOCK</b> Deadbolt by key either side.			
						T	
<b>F32: INTRUDER LATCH BOLT</b> Latch by knob/lever either side except when outside knob/lever is locked from inside or outside by key. Latch operated by key from inside or outside. Auxiliary latch, deadlocks latch. Inside always open.				<b>F17: DEADLOCK</b> Deadbolt by key outside and turnpiece inside.			
						P	
<b>CLASSROOM SECURITY</b> Latch bolt retracted by knob/lever from either side unless outside is locked by key from either side. Auxiliary latch deadlocks latch bolt when door is locked. Inside knob/lever is always free for immediate egress.				<b>F18: DEADLOCK</b> Deadbolt by key one side only.			
						S	
<b>CLASSROOM SECURITY w/HOLDBACK</b> Latch bolt retracted by knob/lever from either side unless outside is locked by key from either side. When locked, latch bolt retracted by key outside or knob/lever inside. Auxiliary latch deadlocks latch bolt when door is locked. Depress inside knob/lever and turn key 360° for holdback feature. Inside knob/lever always free for immediate egress.				<b>F29: DEADLOCK</b> Deadbolt by key outside. Inside turnpiece will retract but will not project deadbolt.			
						SC	
<b>F33: DORMITORY</b> Latch by knob/lever either side except when projected deadbolt locks outside knob/lever and deadlocks latch. Deadbolt and latch by key either side. Inside knob/lever retracts latch and deadbolt simultaneously, automatically unlocking outside knob/lever.				<b>DEADLOCK FUNCTIONS</b>			
				FX			
<b>F33: DORMITORY</b> Latch by knob/lever either side except when projected deadbolt locks outside knob/lever and deadlocks latch. Deadbolt and latch by key either side. Inside knob/lever retracts latch and deadbolt simultaneously, automatically unlocking outside knob/lever.				<b>E06072: CYLINDER BY TURNPIECE</b> Deadbolt by inside turnpiece or outside key.			
						K	
<b>F35: STORE DOOR</b> Latch by knob/lever either side except when outside knob/lever locked by stop-button in front; then by key outside. Deadbolt by key either side. Deadbolt deadlocks latch.				<b>E06082: COMMUNICATING SINGLE CYLINDER*</b> Deadbolt by key from one side only.			
						L	
				<b>E06062: DOUBLE CYLINDER</b> Deadbolt by key either side.			
						M	
				<b>E06092: CLASSROOM</b> Deadbolt by outside key. Turnpiece will retract but not project deadbolt.			
						S	
				<b>TURNPIECE</b> Deadbolt by inside turnpiece.			
						X	
<b>*PRIVACY INDICATOR AVAILABLE</b>							

MORTISE LOCKSET FUNCTIONS