



The 5000 Series is also available in a **Complete One Box Solution**

5000 Series

The grade 1, low profile solution for cylindrical locksets

Shown with 501 Option

The 5000 series is a compact, high performance electric strike designed for low profile openings where there is limited space behind the jamb. Its strength is derived from a unique keeper pin locking design, enabling the 5000 to exceed the ratings of the frame, door and locking hardware. This field selectable fail secure/fail safe unit is easy to install and accommodates latchbolts up to 5/8" throw.



Specifications

- UL 1034, burglary-resistant listed and suitable for outdoor use
- UL 294 (6th Edition) listed
- ANSI/BHMA A156.31, Grade 1
- MEA New York City accepted
- RoHS compliant
- Patent: 5,934,720

Frame Application

- Metal
- Wood

Electrical

- .24 Amps @ 12VDC/VAC
- .12 Amps @ 24VDC/VAC
- DC continuous duty/ AC intermittent duty only
- PoE friendly

5000 Models

5000

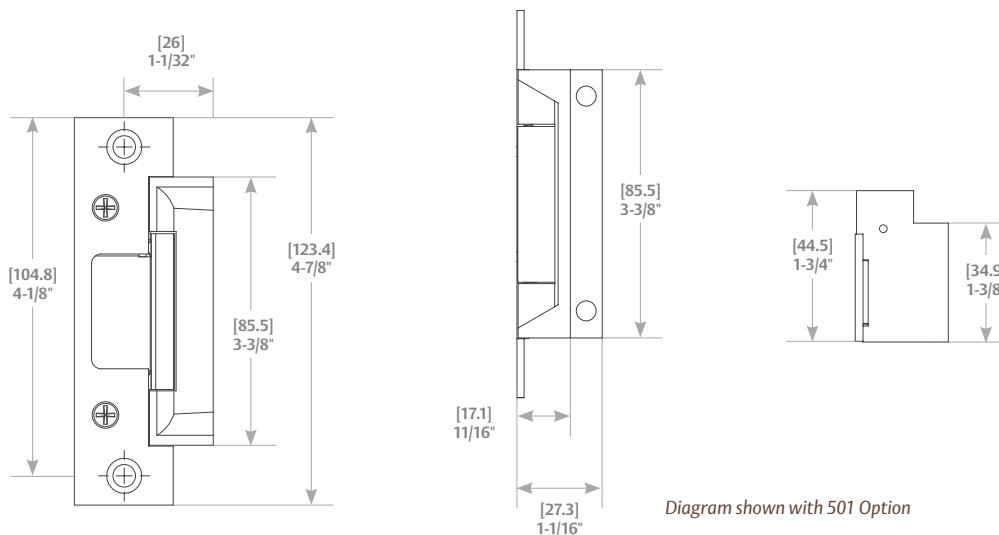
Universal electric strike
Faceplate options ordered separately, see page 28

5000C

Complete electric strike
Includes the 501 and 501A faceplates in the box



Model 5000C includes a 501 and a 501A faceplate in the box



Standard Features

- Tamper resistant
- Static strength 1,500 lbs.
- Dynamic strength 70 ft-lbs.
- Endurance 500,000 cycles
- Field selectable fail secure/fail safe
- Dual voltage 12 or 24 VDC/VAC
- Non-handed
- Internally mounted solenoid
- Accommodates 1/2" - 5/8" latchbolt (5/8" with 1/8" door gap)
- Strike body depth 1-1/16"
- Plug-in connector
- Trim enhancer included
- Five-year limited warranty

Optional Features

- **LBM** » Latchbolt monitor

Accessories

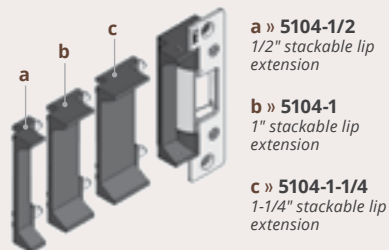
- 150** » Strike latch guard
- 154-MTK** » Metal template kit
- 2001M** » Plug-in bridge rectifier
- 2004M** » ElectroLynx® adapter
- 2005M3** » SMART Pac® III
- 2006M** » Plug-in buzzer
- 5104-1/2** » 1/2" stackable lip extension
- 5104-1** » 1" stackable lip extension
- 5104-1-1/4** » 1-1/4" stackable lip extension

Finishes

- 630** » Satin stainless steel
- 605** » Bright brass
- 606** » Satin brass
- 612** » Satin bronze
- 613** » Bronze toned
- 629** » Bright stainless steel
- BLK** » Black

*Complete Pacs are only available in the 630 finish

"Press Fit" Stackable Lip Extensions



CYLINDRICAL
LOCKSETS



SPECIALTY
LOCKSETS



FIELD SELECTABLE
(12 OR 24VDC)



FIELD SELECTABLE
(FAIL SECURE/
FAIL SAFE)



GRADE 1



OUTDOOR
RATED




UL 1034
BURGLARY
LISTED

hes
ASSA ABLOY

5000/5200 Series Faceplate Options



Operation: After releasing the latchbolt, the keeper returns to the locked position

 <p>4-7/8" x 1-1/4"</p> <p>Square corners and flat faceplate</p>	<p>501 Option</p> <p>For use with: Cylindrical locksets in ANSI metal jambs</p> <p>» ANSI/BHMA Numbers: E09321, E09322, E09323</p>	
 <p>4-7/8" x 1-1/4"</p> <p>Radius corners and flat faceplate</p>	<p>501A Option</p> <p>For use with: Cylindrical locksets or spring latches in aluminum frames. Includes universal mounting tabs.</p> <p>» ANSI/BHMA Numbers: E09321, E09322, E09323</p>	 
 <p>7-15/16" x 1-7/16"</p> <p>Radius corners and flat faceplate</p>	<p>502 Option</p> <p>For use with: Cylindrical locksets or spring latches in aluminum frames. Includes universal mounting tabs.</p> <p>» ANSI/BHMA Numbers: E09321, E09322, E09323</p>	 
 <p>6-7/8" x 1-1/4"</p> <p>Radius corners and flat faceplate</p>	<p>503 Option</p> <p>For use with: Cylindrical locksets or spring latches in aluminum frames. Includes universal mounting tabs.</p> <p>» ANSI/BHMA Numbers: E09321, E09322, E09323</p>	 
 <p>10" x 1-3/8"</p> <p>Radius corners and flat faceplate</p>	<p>504 Option</p> <p>For use with: Cylindrical locksets. Four-point mounting for wood installations</p> <p>» ANSI/BHMA Numbers: E09321, E09322, E09323</p>	