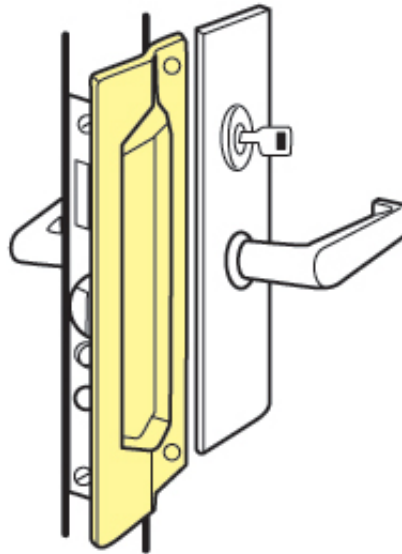




## Latch Protector MLP 211



### Product Specifications

Number	MLP 211
Dimensions	3" x 11"
Gauge	12 ga., .104
Material	Steel
Shelf pack	10
Features	Furnished with carriage bolts, washers & acorn cap nuts
Finishes	BP, CP, DU, SL
Competitor part	ELP-250

