

Rim Exit Features

ED8000

- ED8200** Panic Listed Rim Exit Device
- ED8200B** 1-1/2 Hour Fire Listed Rim Exit Device
- ED8200A** 3-Hour Fire Listed Rim Exit Device



Features

Handing

Non-handed.

Bar Length

Easily field cut to size.

Standard: 36" bar fits 31" - 36"

(787mm-914mm) door.

Optional: 30" bar fits 28" - 30"

(711mm-762mm) door; specify W030.

Optional: 42" bar fits 37" - 42"

(940mm-1067mm) door; specify W042.

Optional: 48" bar fits 43" - 48"

(1092mm-1219mm) door; specify W048.

Door Thickness

1-3/4" (44mm) standard.

Optional: 2" (51mm); specify D200.

Optional: 2-1/4" (57mm); specify D214.

Backset

2-3/4" (70mm). Device and trim cover standard ANSI A115.2 (Type 161) cylindrical lock preparation. (Backset changes when mullion is used.)

Stile

Minimum width 5" (127mm).

Projection

2-1/2" (64mm) low profile for barrier-free access.

Latchbolt

3/4" (19mm) stainless steel pullman-type with stainless steel deadlocking latch.

Materials

Heavy-duty wrought steel chassis and pushpad; aluminum front and rear bar covers; stainless steel springs; nylon bearings.

Dogging

Standard on ED8200 devices: single point 1/4 turn dogging.

Optional: less dogging; specify M51.

Dogging not available on ED8200A and ED8200B devices.

Fasteners

Standard on ED8200 devices: machine screws and wood door fasteners.

Optional on ED8200 devices: sex nuts and bolts; specify M54.

Standard on ED8200A and ED8200B devices: sex nuts and bolts.

Strike

See Options and Accessories, page 11.

Functions and Trims

Thru-bolted lever, pull and knob trims available with wide range of functions; see Trims and Functions, pages 8-10.

Cylinders

Cylinder not included unless specified. See Quick Codes, page 16.

Removable Mullion

See Mullions, page 13.

Shim Kit

Optional for mounting device over glass bead vision light; specify M58.

Applications and Listings

See page 3.

Exit Alarm

Optional on ED8200 and ED8200B devices, with and without delay feature. See Electrified Options, page 14, or Quick Codes, page 17.

Warranty

One-year limited.

Certification/Compliance

ANSI

Meets A156.3, Type 1, Grade 1.

Meets A117.1 Accessibility Code.

C-UL US

All devices listed for safety as panic hardware; devices comply with UL 305 standards for panic hardware. UL symbol on rear cover label indicates listing. Three-hour fire-rated devices listed as fire exit hardware for A label and lesser class 4' x 8' single or 8' x 8' double doors; UL symbol on rear cover label indicates listing.

Any retrofit or other field modification to a fire rated opening can potentially impact the fire rating of the opening, and Corbin Russwin, Inc. makes no representations or warranties concerning what such impact may be in any specific situation. When retrofitting any portion of an existing fire rated opening, or specifying and installing a new fire-rated opening, please consult

with a code specialist or local code official (Authority Having Jurisdiction) to ensure compliance with all applicable codes and ratings.

Warnock Hersey International Inc.

ED8200B listed as fire exit hardware for installation on up to 1-1/2 hour fire doors, up to 8' x 8'.

California State Reference Code

This product has been approved by the California State Fire Marshal (CSFM) pursuant to Section 13144.1 of the California Health and Safety Code.

NFPA

All exit devices comply with NFPA 101 Life Safety Code. All fire-rated devices comply with NFPA 80 Fire Doors and Windows.

ADA

Exit devices, lever trims and pulls comply with Americans with Disabilities Act.

Finishes

Painted finishes available on devices and some trims.

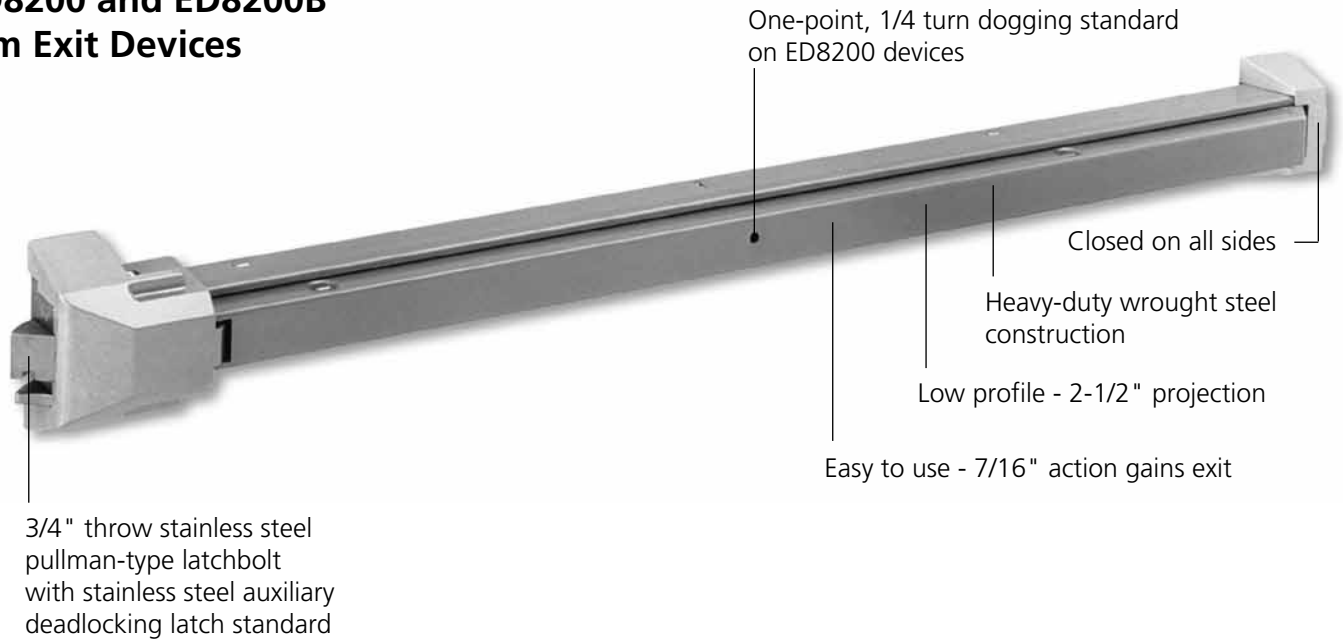
BHMA 689	Silver Aluminum Painted
BHMA 690	Dark Bronze Painted
BHMA 691	Light Bronze Painted
Plated finishes available on trims only.	
BHMA 605	Bright Brass
BHMA 606	Satin Brass
BHMA 611	Bright Bronze
BHMA 612	Satin Bronze
BHMA 613	Oxidized Bronze, oil rubbed, available lacquered
BHMA 618	Bright Nickel Plated
BHMA 619	Satin Nickel Plated
BHMA 622	Flat Black Coated
BHMA 625	Bright Chromium Plated
BHMA 626	Satin Chromium Plated
626C*	Satin Chromium Plated with MicroShield®
BHMA 722	Black oxidized bronze, oil rubbed

*G10, A6, N6 & PR6 trims are available with MicroShield®.

Rim Exit Features

ED8000

ED8200 and ED8200B Rim Exit Devices



ED8200A Rim Exit Device

