

PRODUCT SPECIFICATIONS

Elkay EZH2O® In-Wall Bottle Filling Station, Filtered Non-Refrigerated Stainless. Features shall include Hands-Free®, Visual Filter Monitor, Filtered, Green Ticker™, Laminar Flow, Silver Ion Antimicrobial, Real Drain. Electronic Bottle Filler Sensor activation. Product shall be Wall Mount (In-Wall Frame/Plate), for Indoor applications, serving 1 station(s). Unit shall be lead-free design which is certified to NSF/ANSI 61 & 372 (lead free) and meets Federal and State low-lead requirements.



| | |
|---------------------------------|---|
| Special Features: | Hands-Free®, Visual Filter Monitor, Filtered, Green Ticker™, Laminar Flow, Silver Ion Antimicrobial, Real Drain |
| Finish: | Stainless Steel |
| Power: | 115V/60Hz |
| Bubbler Style: | No Bubbler |
| Activation by: | Electronic Bottle Filler Sensor |
| Mounting Type: | Wall Mount (In-Wall Frame/Plate) |
| Chilling Option: | Non-Refrigerated |
| Full Load Amps | 1 |
| Rated Watts: | 15 |
| Dimensions (L x W x H): | 19-3/4" x 3-1/2" x 40-13/16" |
| Approx. Shipping Weight: | 36 lbs. |
| Installation Location: | Indoor |
| No. of Stations Served: | 1 |

- Touchless, sensor-activation, designed for easy use
- Visual Filter Monitor: LED Filter Status Indicator for when filter change is necessary.
- Filter is certified to NSF 42 and 53 for lead, particulate, chlorine, taste and odor reduction. 3,000 gal. capacity.
- Green Ticker: Informs user of number of 20 oz. plastic water bottles saved from waste.
- Laminar flow provides clean fill with minimal splash.
- Silver Ion Antimicrobial protection on key plastic components to inhibit the growth of mold and mildew.
- Real Drain System eliminates standing water.

AMERICAN PRIDE. A LIFETIME TRADITION. Like your family, the Elkay family has values and traditions that endure. For almost a century, Elkay has been a family-owned and operated company, providing thousands of jobs that support our families and communities.



Included with Product: Bottle Filler (LZWSMDK), Mounting Frame (MFWS100), Filter (EWF3000)

PRODUCT COMPLIANCE

- ADA
- Buy American Act
- GreenSpec®
- NSF/ANSI 42, 53, 61, and 372 (lead free)
- UL 399



[Installation Instructions \(PDF\) - 98560C](#)
[Installation Instructions \(PDF\) - 98557C](#)

Electrical components and water system are warranted for 12 months from date of installation. **Warranty pertains to drinking water applications only. Non-drinking water applications are not covered under warranty.**

[Warranty \(PDF\)](#)

OPTIONAL ACCESSORIES

| |
|---|
| 51300C - WaterSentry® Plus Replacement Filter (Bottle Fillers) |
| WSF6000R-2PK - WaterSentry® Fresh 6000 CTO Filter - Replacement (2pack) |

PART: _____ QTY: _____

PROJECT: _____

CONTACT: _____

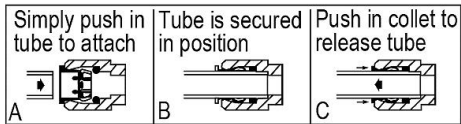
DATE: _____

NOTES: _____

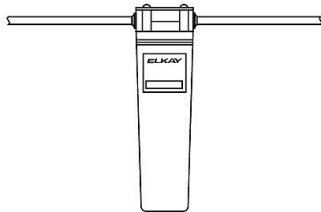
APPROVAL: _____

In keeping with our policy of continuing product improvement, Elkay reserves the right to change product specifications without notice. Please visit elkay.com for the most current version of Elkay product specification sheets. This specification describes an Elkay product with design, quality, and functional benefits to the user. When making a comparison of other producers' offerings, be certain these features are not overlooked.

OPERATION OF QUICK CONNECT FITTINGS

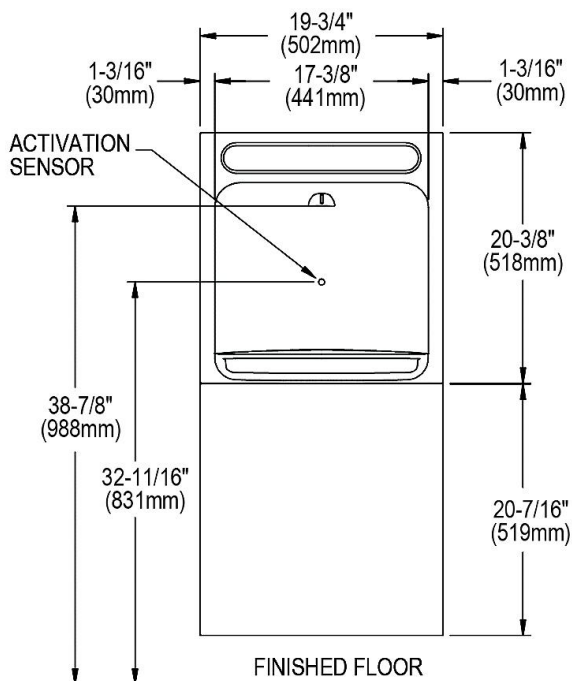


Pushing tube in before pulling it out helps to release tube



WaterSentry® Plus Filter System

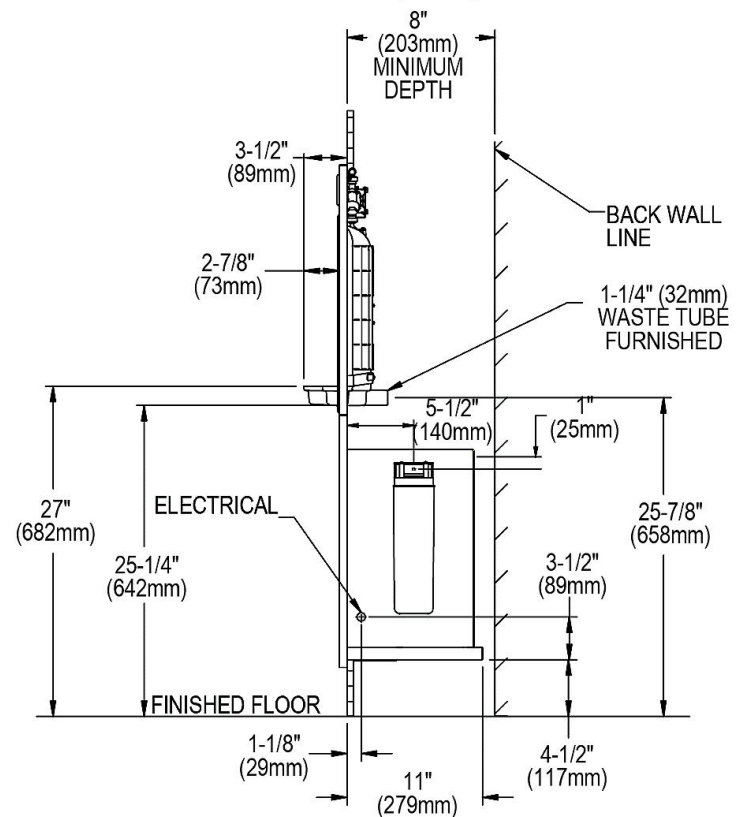
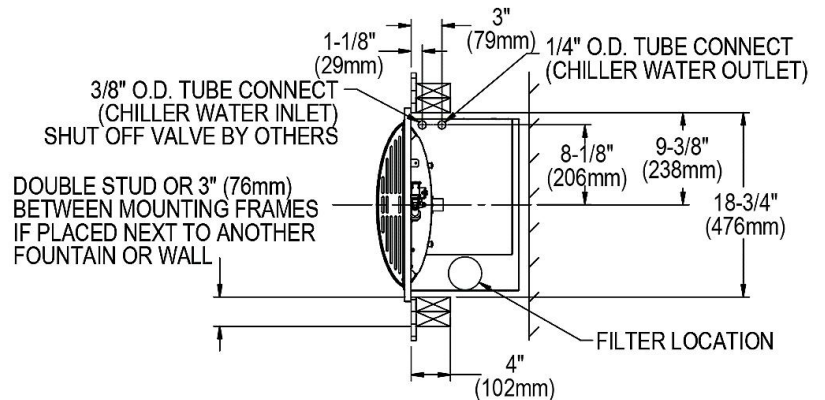
BOTTLE FILLER SPECIFICATIONS



Note : New Installations Must Use Ground Fault Circuit Interrupter (GFCI).

IMPORTANT! INSTALLER PLEASE NOTE:

The grounding of electrical equipment such as telephone, computers, etc., to water lines is a common procedure. This grounding may be in the building or may occur away from the building. This grounding can cause electrical feedback into a water cooler, creating an electrolysis which causes a metallic taste or causes an increase in the metal content of the water. This condition is avoidable by using the proper materials as indicated below. The drain fittings which are provided by the installer should also be plastic to electrically isolate the cooler from the building plumbing system

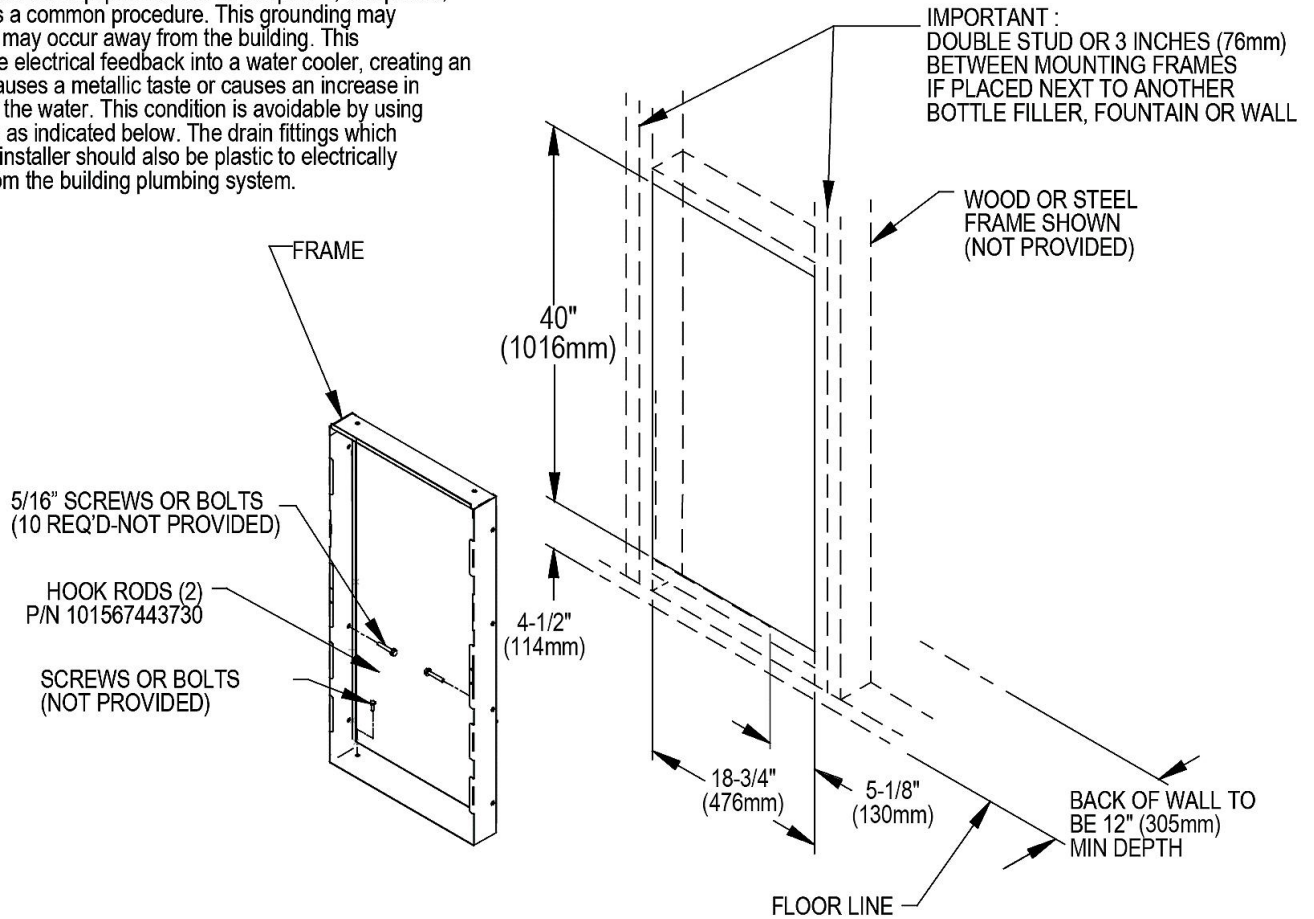


In keeping with our policy of continuing product improvement, Elkay reserves the right to change product specifications without notice. Please visit elkay.com for the most current version of Elkay product specification sheets. This specification describes an Elkay product with design, quality, and functional benefits to the user. When making a comparison of other producers' offerings, be certain these features are not overlooked.

MOUNTING FRAME MFWS100 WITHOUT CHILLER SHELF

**IMPORTANT!
INSTALLER PLEASE NOTE:**

The grounding of electrical equipment such as telephone, computers, etc., to water lines is a common procedure. This grounding may be in the building or may occur away from the building. This grounding can cause electrical feedback into a water cooler, creating an electrolysis which causes a metallic taste or causes an increase in the metal content of the water. This condition is avoidable by using the proper materials as indicated below. The drain fittings which are provided by the installer should also be plastic to electrically isolate the cooler from the building plumbing system.



In keeping with our policy of continuing product improvement, Elkay reserves the right to change product specifications without notice. Please visit elkay.com for the most current version of Elkay product specification sheets. This specification describes an Elkay product with design, quality, and functional benefits to the user. When making a comparison of other producers' offerings, be certain these features are not overlooked.