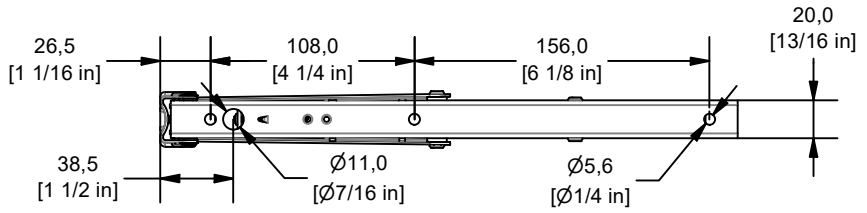
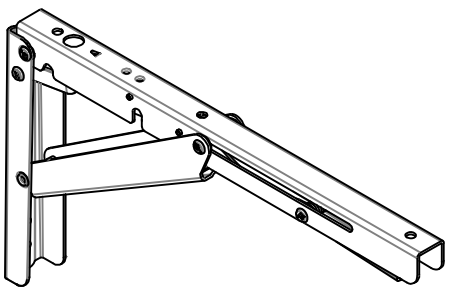
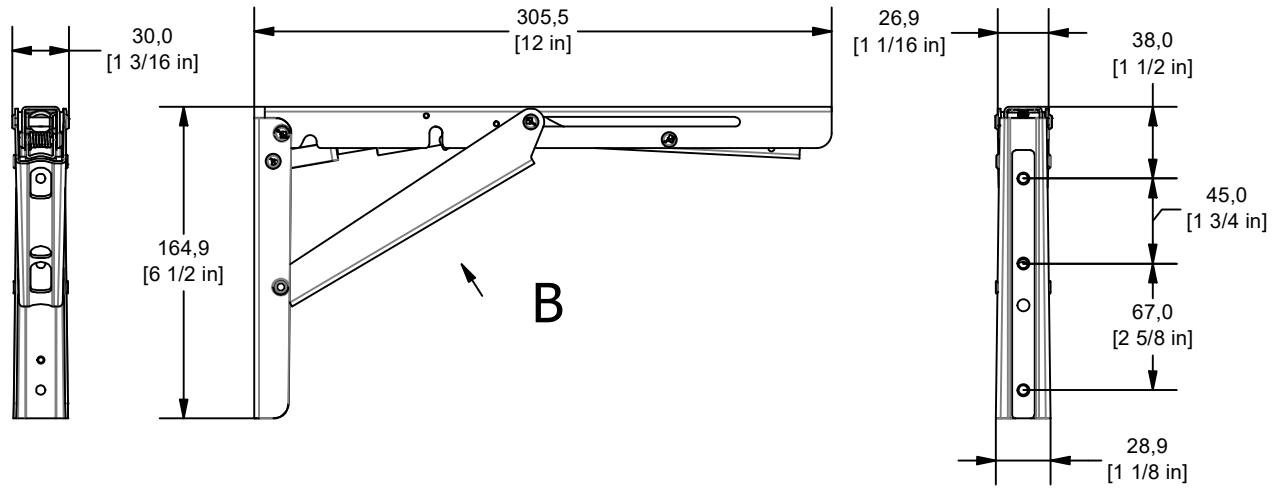
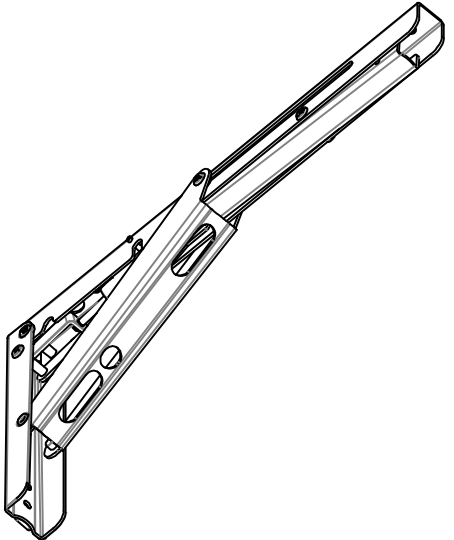
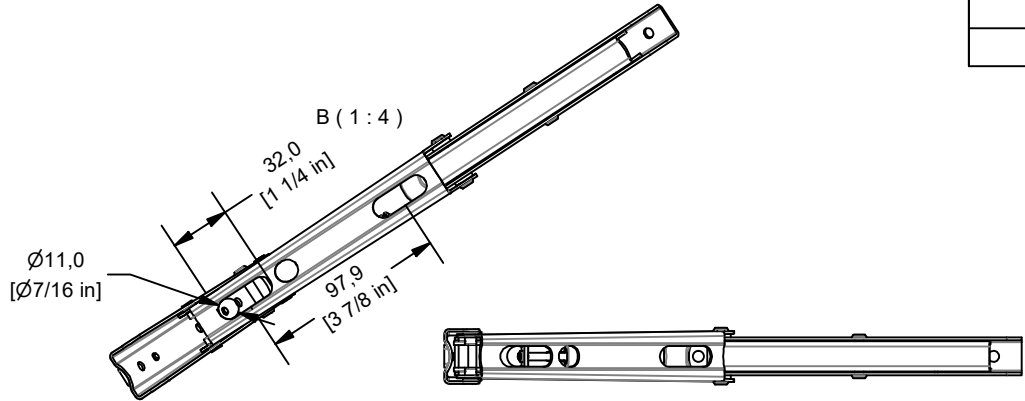


ARTICLE NUMBER	FINISH
287.32.051	Stainless steel
287.32.050	Black



REVISION
-

ITEM/CATALOG NUMBER 287.32.05X	DRAWING NUMBER 287.32.05X
TITLE EB-303/EB-D FOLDING BRACKET	
MATERIAL STAINLESS STEEL	FINISH A.S.
<small>NOTICE</small> THIS DRAWING AND ALL INFORMATION THEREON IS THE PROPERTY OF HÄFELE. IT IS TO BE KEPT CONFIDENTIAL AND NOT TO BE REPRODUCED OR TRANSMITTED IN ANY FORM OR BY ANY MEANS, ELECTRONIC OR MECHANICAL, INCLUDING PHOTOCOPYING, RECORDING, OR BY ANY INFORMATION STORAGE AND RETRIEVAL SYSTEM.	
DRAWN BY: SUG/NPG	APPROVED BY: JF
DATE: 3/14/2024	SCALE: 1 : 4
TOLERANCE SPECIFICATION ISO E	SIZE A
SHEET 1 of 1	