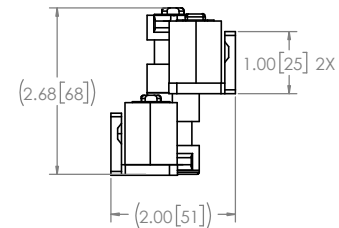
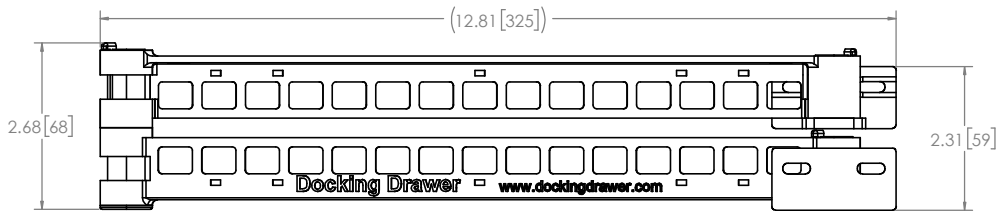
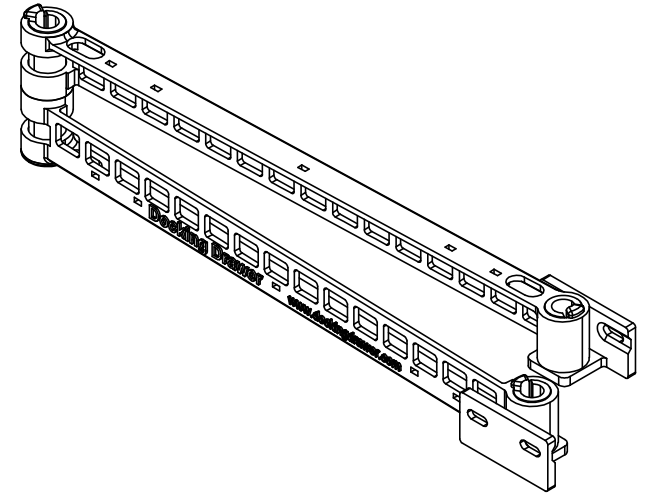
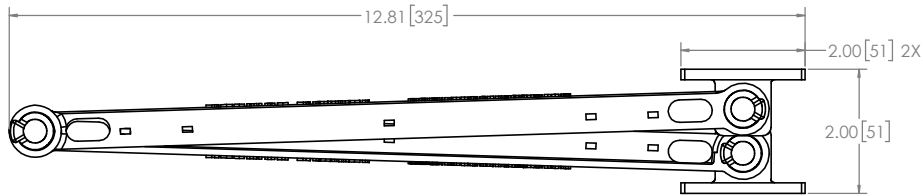


8 7 6 5 4 3 2 1

100 1 00290-00200 'CON DMG

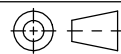
REVISIONS				
EDD #	REV	DESCRIPTION	BY	DATE
	001	INITIAL RELEASE	SH	11/14/2024
			SD	



1. DIMENSIONS ARE IN INCHES[MILLIMETERS]

NOTES, UNLESS OTHERWISE SPECIFIED:

THIRD ANGLE PROJECTION



NEXT ASSY	APPROVALS	DATE
DWG	BNEUMANN	11/14/2024
CHECK		
ENGR		11/14/2024
INFO ENGR		
REPO		

UNLESS OTHERWISE SPECIFIED:
ALL DIMS IN INCHES, & INCLUDE
CHEM. APPLIED/PLATED FINISH.
REMOVE BURRS & SHARP EDGES.
DO NOT SCALE DRAWING.

TOLLS: .XX: ± .02
.XXX: ± .010
ANGLES: ± .5°

SURFACES:
N/A ✓

JTECH SOLUTIONS, INC CONFIDENTIAL: THIS DOCUMENT AND THE INFORMATION CONTAINED IN IT ARE CONFIDENTIAL AND CANNOT BE COPIED OR DISCLOSED IN WHOLE OR IN PART WITHOUT THE EXPRESS WRITTEN CONSENT OF JTECH SOLUTIONS, INC.

MATL: (SEE NOTES)

FINISH: (SEE NOTES)

JTech Solutions	
TITLE: LOW VOLTAGE CABLE ARMS	
SIZE: D	DWG NO.: 0290-00200
SCALE: 1:1	REV: 001
SHEET: 1	OF: 1

8 7 6 5 4 3 2 1

2 0290-00200 LOW VOLTAGE CABLE ARMS

DWG NO. 0290-00200 REV 001