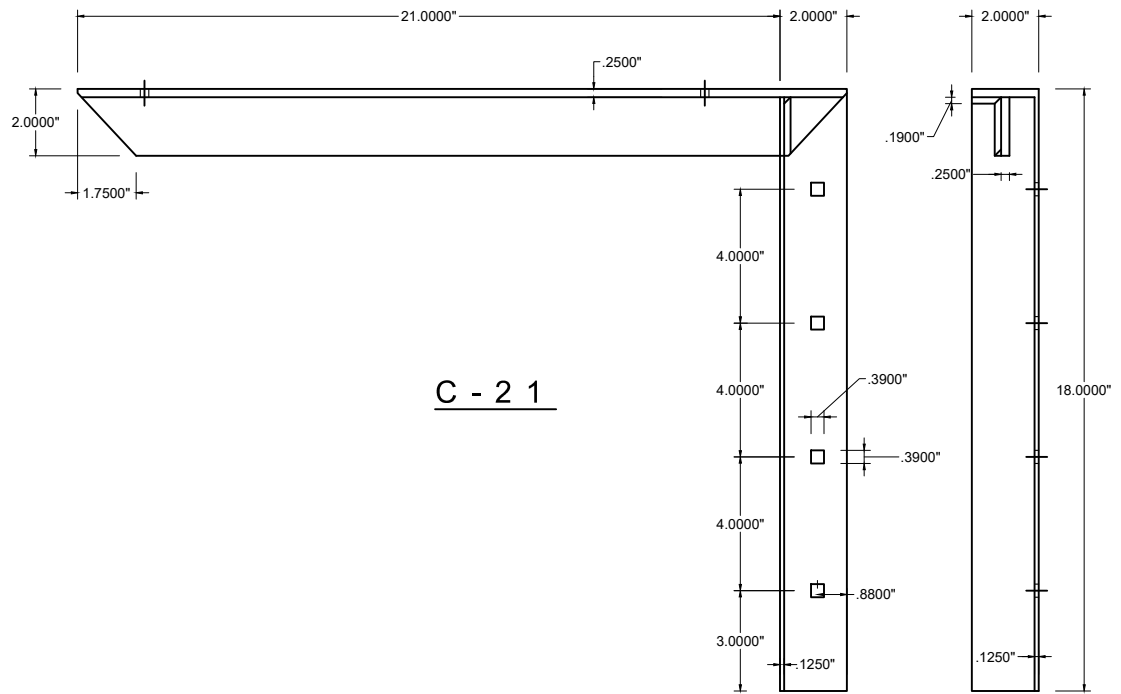
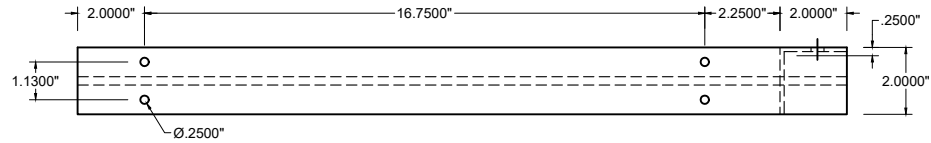
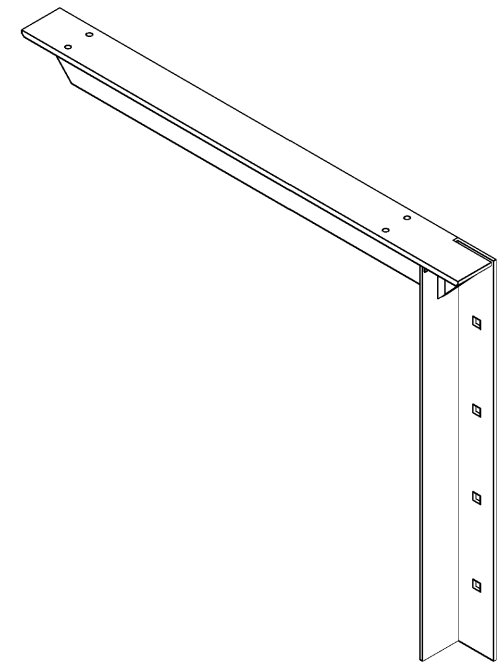


ITEM #	FINISH
287.80.324	BLACK
287.80.724	WHITE



C - 2 1



REVISION
-

ITEM/CATALOG NUMBER <b>287.80.X24</b>		DRAWING NUMBER <b>287.80.X24</b>	
TITLE <b>CONCEALED BRACKET 18X21IN</b>			
MATERIAL <b>STEEL</b>		FINISH <b>SEE NOTES</b>	
<small>NOTICE</small> <b>HÄFELE</b> <small>THIS DRAWING AND INFORMATION THEREON IS CONFIDENTIAL. MUST NOT BE MADE PUBLIC, COPIED OR USED TO DISADVANTAGE OF SAID HÄFELE AMERICA CO. IT IS SUBJECT TO CHANGE OR DISCONTINUED.</small>		<small>NOTICE</small> DRAWN BY: <b>A&amp;M/NPG</b> APPROVED BY: <b>JF</b> DATE: <b>12.28.2022</b> SCALE: <b>NTS</b>	
TOLERANCE SPECIFICATION -	ISO E	SIZE <b>A</b>	SHEET <b>1</b> OF <b>1</b>