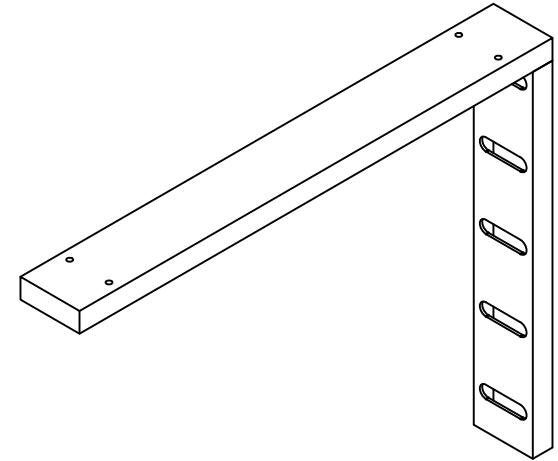
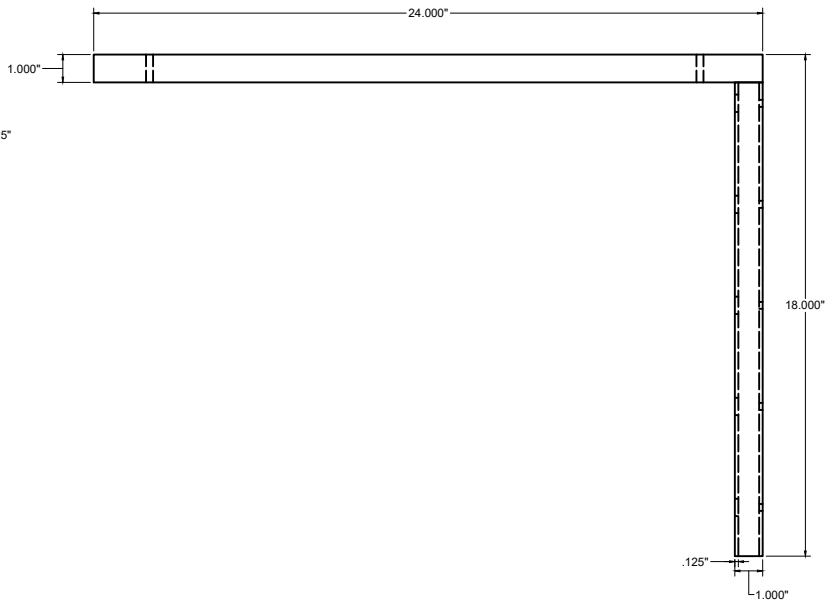
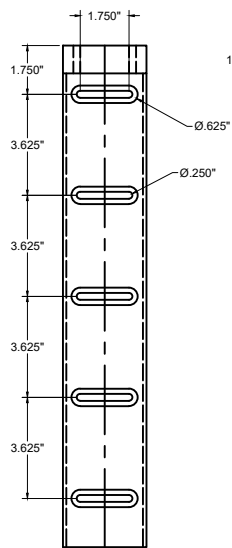
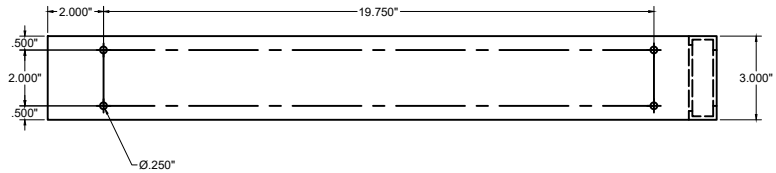

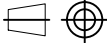


ITEM #	FINISH
287.80.341	BLACK
287.80.741	WHITE



REVISION
-

ITEM/CATALOG NUMBER 287.80.X41		DRAWING NUMBER 287.80.X41	
TITLE BRACKET HEAVY DUTY 18X24IN			
MATERIAL STEEL		FINISH SEE NOTES	
<small>NOTICE</small> THIS DRAWING AND ALL INFORMATION THEREON IS THE PROPERTY OF:		DRAWN BY: A&M/NPG	
		APPROVED BY: JF	
<small>THIS DRAWING AND INFORMATION THEREON IS CONFIDENTIAL. MUST NOT BE MADE PUBLIC. COPIED OR USED TO DISADVANTAGE OF SAID HAFELE AMERICA CO. IT IS SUBJECT TO RETURN ON DEMAND.</small>		DATE: 01.04.2022	
TOLERANCE SPECIFICATION -		SCALE: NTS	
ISO E 		SIZE A SHEET 1 OF 1	