



## CONTOUR TIE & BELT ORGANIZER

- Organize all ties in belts in one drawer. The compartments can also be used to organize watches and wallets
- Slide and move the trays and compartments to fit your needs



UP TO 24"  
WIDTH



DEPTH

16"

300.7CC.366.570.WIN  
**807.87.722**

300.7CC.366.570.OYS  
**807.87.122**

300.7CC.366.570.PWT  
**807.87.522**

20"

300.7CC.472.570.WIN  
**807.87.723**

300.7CC.472.570.OYS  
**807.87.123**

300.7CC.472.570.PWT  
**807.87.523**

UP TO 36"  
WIDTH



DEPTH

16"

300.7CCC.366.874.WIN  
**807.87.724**

300.7CCC.366.874.OYS  
**807.87.124**

300.7CCC.366.874.PWT  
**807.87.524**

20"

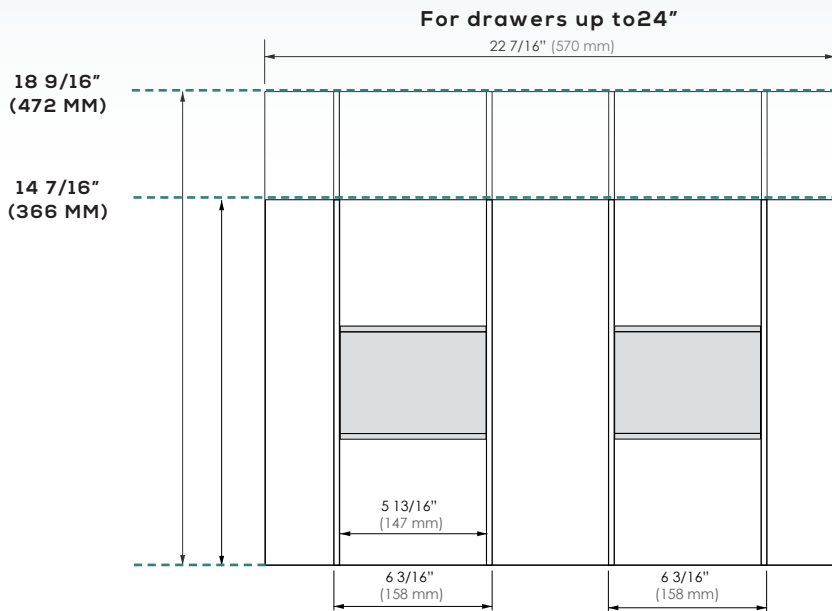
300.7CCC.472.874.WIN  
**807.87.725**

300.7CCC.472.874.OYS  
**807.87.125**

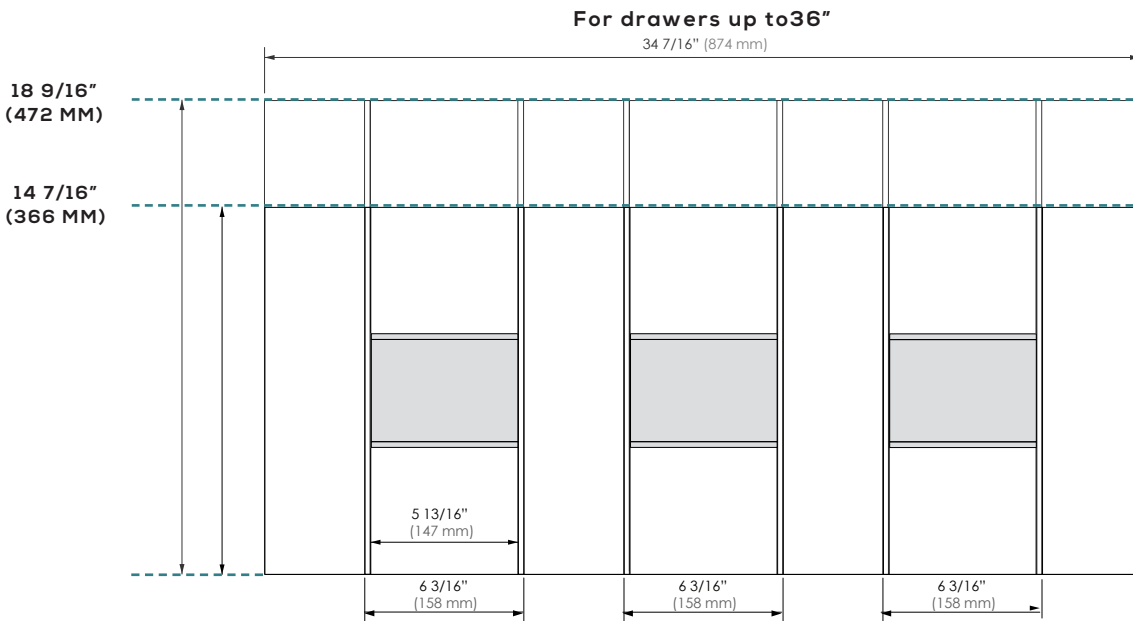
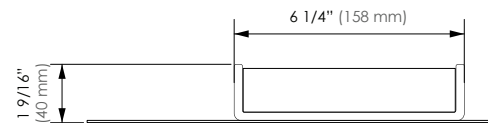
300.7CCC.472.874.PWT  
**807.87.525**

# CONTOUR TIE & BELT ORGANIZER

## ACTUAL DIMENSIONS



Contour was designed to provide edge-to-edge functionality in any drawer and in any size. Contour's unique Trim-to-Fit installation ensures the whole drawer is utilized - both functionally and aesthetically.



## COMPONENT SPECIFICATIONS

### LARGE TRAY

