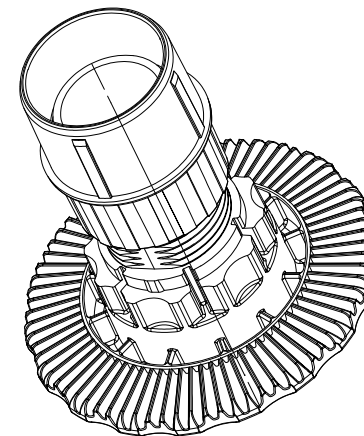
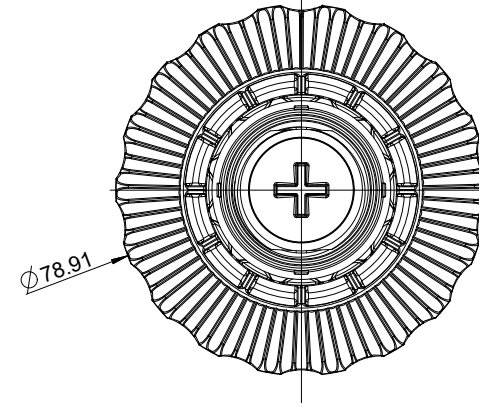


Screw-in part 69.1015  
Adjustment-10  $\triangleleft \triangleright +18 \text{ mm}$



REVISION  
-

ITEM/CATALOG NUMBER 637.76.352		SUPPLIER NUMBER 69.8772	
TITLE 80mm FOOT			
MATERIAL PLASTIC		FINISH Black	
NOTICE THIS DRAWING AND ALL INFORMATION THEREON IS THE PROPERTY OF: <b>HAFELE</b>		DRAWN BY: NPG	
APPROVED BY: SH		DATE: 04.22.2024	
SCALE: NTS		SCALE: NTS	
TOLERANCE SPECIFICATION DIN 16901		ISO E	SIZE A
		SHEET 1 OF 1	

Author	Design	Checked	Released