

Docking Drawer®

Low-Voltage Cable Management Arms

INSTALLATION INSTRUCTIONS

Revision 2



PART #:
0290-00200

Time Required - 30 min

- Tools Needed:
- Drill
 - Measuring tape
 - Phillips head screwdriver
 - Pencil
 - Level
 - Zip Ties (Included)



CAUTION – READ CAREFULLY

- Docking Drawer Low-Voltage Cable Management Arms are designed for low-voltage applications only.
- They are not intended for high-voltage applications and are not considered safe for such use. Ensure compliance with this guideline to avoid potential hazards.
- Do not use more than two low-voltage cables per arm.

How to Install

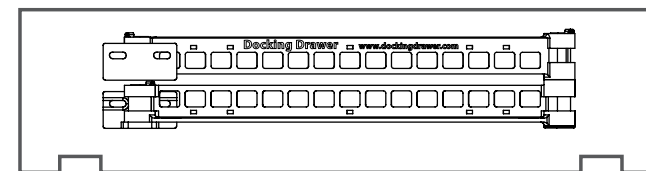
Step 1 - Verify your drawer box has sufficient space to install the cable management arms.

Ensure the drawer box width (Outer Dimension - OD) is wider than 13 inches. Confirm there is at least 1" of space behind the drawer box.

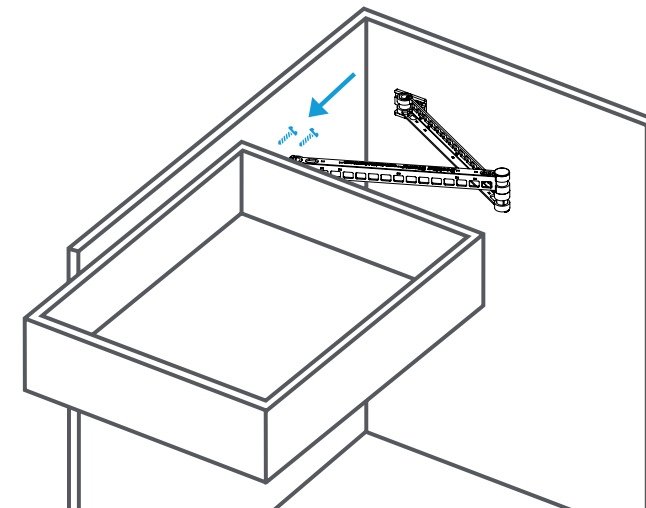
Minimum Drawer Box Width (OD)	Minimum Interior Drawer Box Height	Minimum Space Behind Drawer Box	Maximum Base Cabinet Depth
13" or more	3" or more	1" or more	24" or less

Step 2 - Determine the mounting location for the low-voltage cable management arms. Ensure the arms and cables have a clear path of movement without interference.

The arms should be vertically centered with the drawer box and positioned appropriately horizontally based on where the low-voltage cables will connect or pass through.

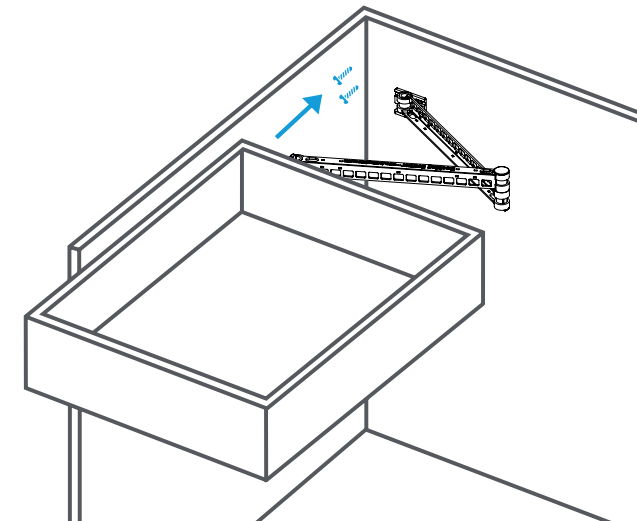


Step 3 - Use (2) of the provided screws to attach the front mounting bracket to the back of the drawer box, ensuring the arms are level with the drawer box.



Step 4 - Align arms. With the drawer mostly closed, mark the position of the rear mounting bracket on the back of the cabinet. It is important to make sure the drawer moves freely in and out without contacting the back of the cabinet or drawer and that the arms are square and even.

Spend sufficient time at this step before fastening the bracket to the rear wall to ensure everything is square and the arms are in the correct position. Once that is done, secure it with the remaining (2) provided screws.



Step 5 - Route the cable from the drawer box through the top hole of the low-voltage cable management arm near the front mounting bracket.

Run the cable along the channel of the top arm and secure it with the provided zip ties.

Then, route the cable along the channel of the bottom arm and exit the cord through the hole near the rear mounting bracket that will be attached to the back wall.

Secure with the remaining provided zip ties.

Ensure the cable(s) are neatly routed and do not exceed two low-voltage cables per arm.

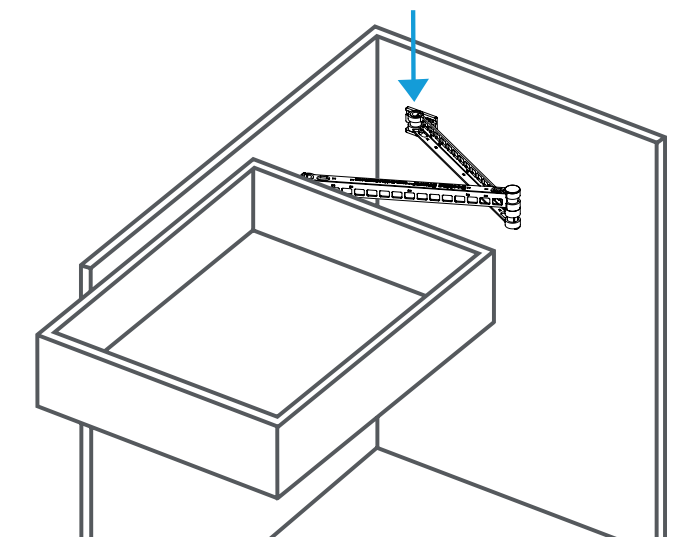
While the standard installation involves routing the low-voltage cables through the cable

management arms after the arms have been installed, you can also pre-route the cables through the cable management arms before installing them into the drawer space. This alternative method lets you have the cables already in place, simplifying the installation process. Both options provide flexibility depending on your installation needs and preferences.

Step 6 - Verify all screws are securely tightened. Ensure there is no tension in the arms and that they move freely without obstruction.

Quick Disconnect

If the drawer ever needs to be removed, the low-voltage cable management arms are designed to disconnect easily from the rear mounting bracket. Simply press the small pin at the top of the arm to release it from the rear mounting bracket. This allows the arm to separate effortlessly, making drawer removal and reinstallation quick and straightforward.



Docking Drawer®

If you have any questions or need assistance, please contact us:

☎ (530) 205-3625

✉ sales@dockingdrawer.com

🌐 www.dockingdrawer.com