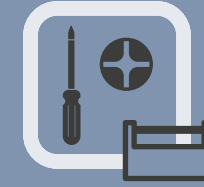


KIT 9207 Milano Appliance Garage



attrezzi: cacciavite a stella
tools needed: screwdriver



installazione rapida
fast installation

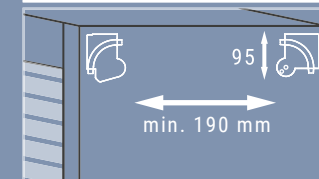


operatori necessari
needed operators

CABINET DETAILS

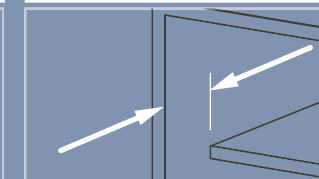
INTERNAL COILER DIMENSIONS

min. 190 mm



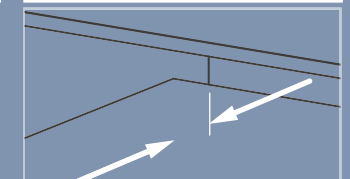
SHELVES SETBACK FRONT

50 mm



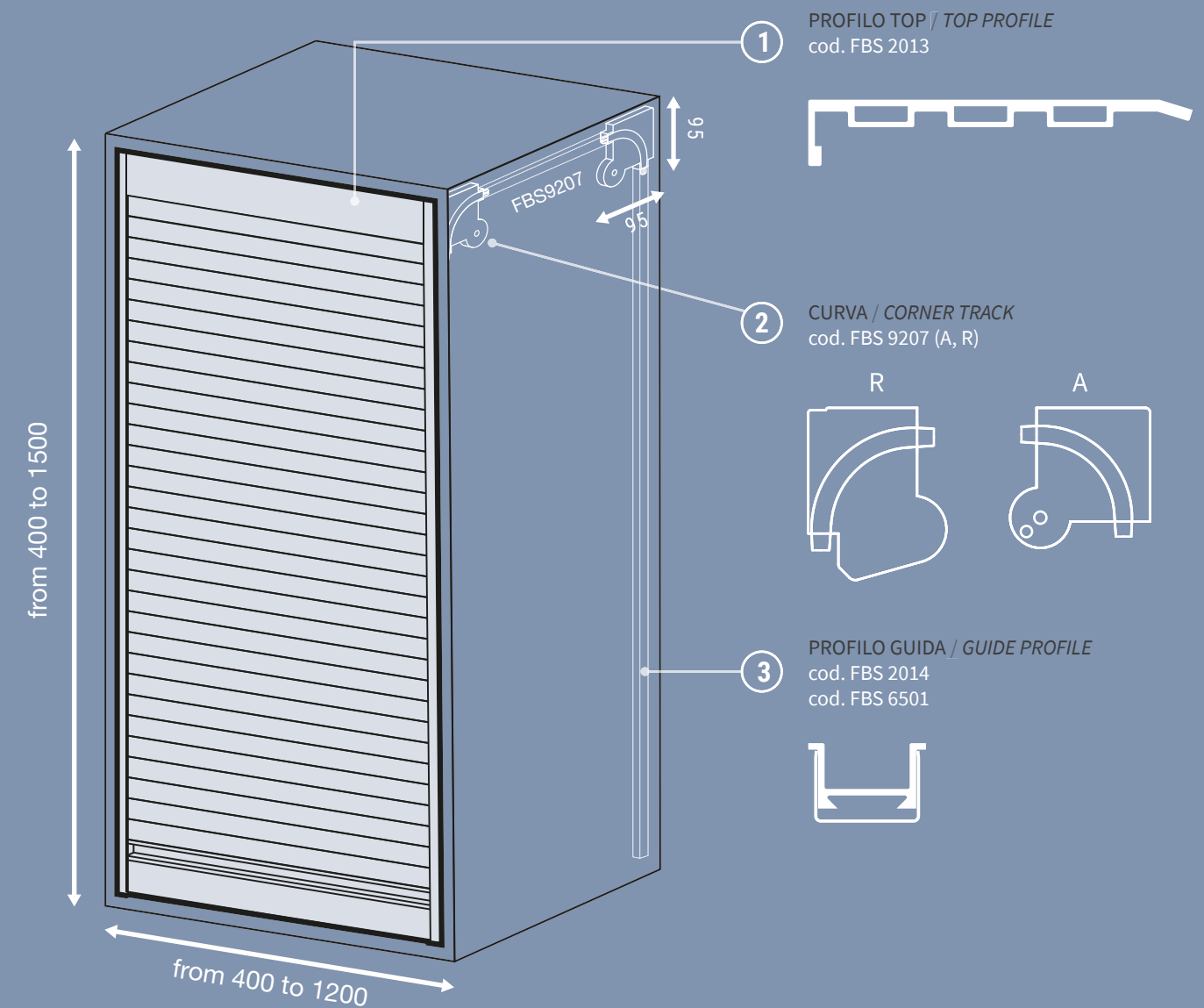
SHELVES SETBACK BACK

50 mm



dimensions in mm

OVERVIEW & COMPONENTS



PROFILATI ITALIANI

FBSProfilati s.r.l.

Via Edison 251
20019 Settimo Milanese MI - Italia

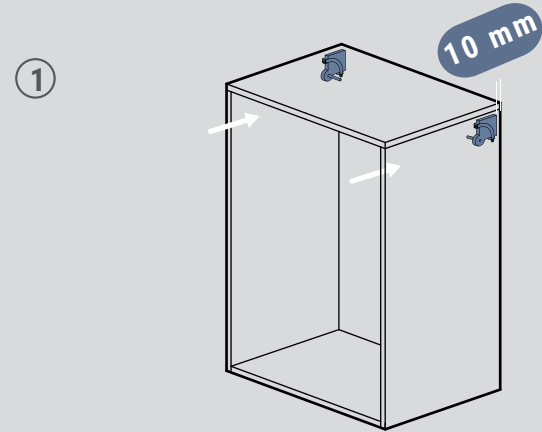
phone: +39 024564768 / +39 0248916411

fax: +39 0245329991

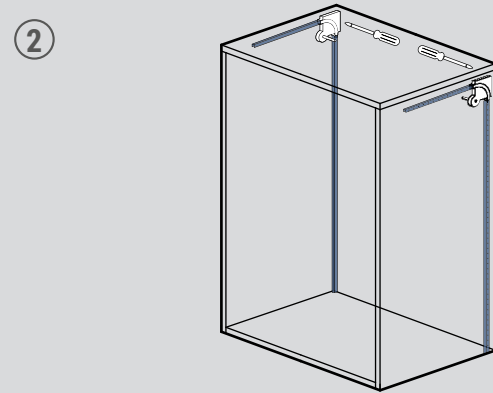
info@fbsprofilati.it

www.fbsprofilati.it

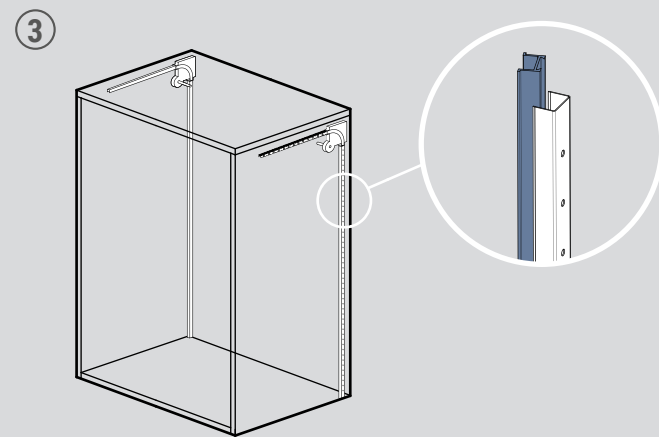
ASSEMBLY SEQUENCE



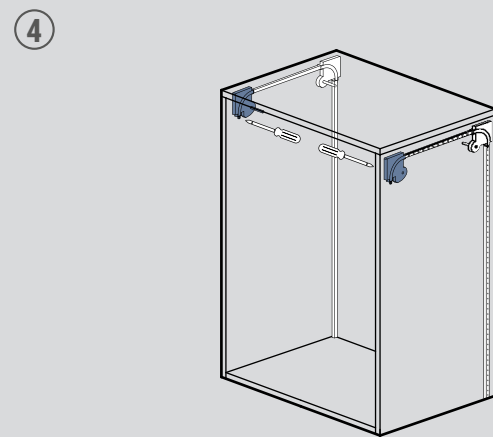
IT Inserire FBS 9207 (A) sul fondo destro e sinistro a 10 mm dal fondo e fissare con vite FBS 7508. **EN** Apply FBS 9207 (A) at 10 mm from the right and left bottom and fix with FBS 7508 screws.



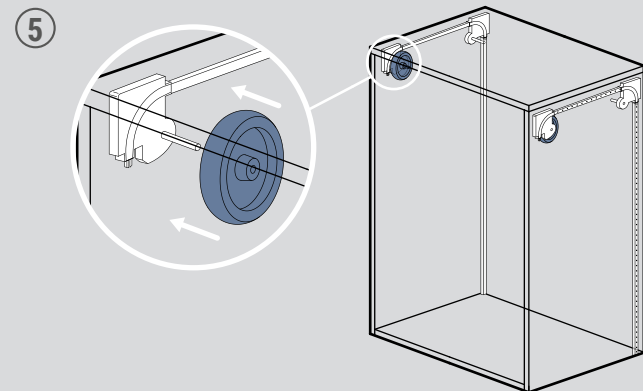
IT Inserire FBS 2014 e fissare con viti FBS 7510 sul fondo e top. **EN** Apply FBS 2014 and fix with FBS 7510 screws at bottom and top.



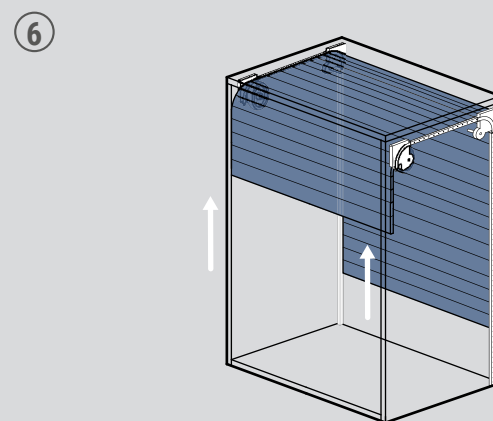
IT Inserire FBS 6501 guida a incastro. **EN** Insert FBS 6501, inset guide.



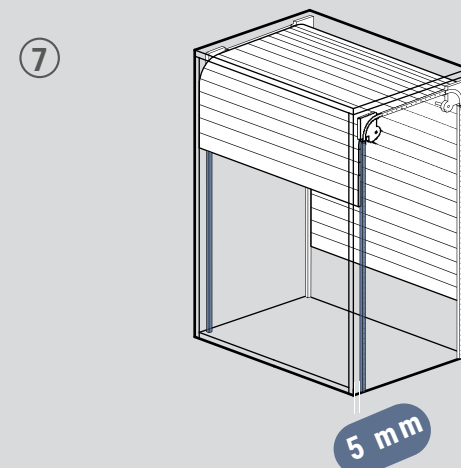
IT Inserire FBS 9207 (R) lato destro e sinistro e fissare con viti FBS 7509. **EN** Apply FBS 9207 (R) right and left side and fix with FBS 7509 screws.



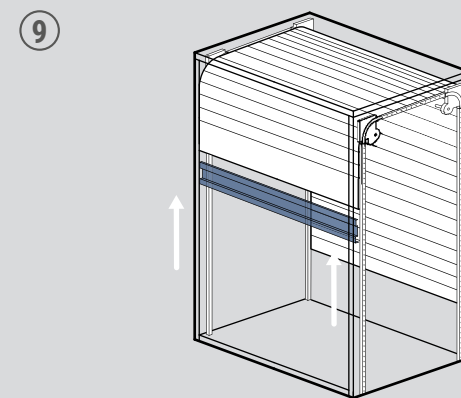
IT Assemblare le ruote alle curve FBS 9207 già avvitate al mobile. **EN** Assemble wheels with tracks FBS 9207 already screwed on cabinet.



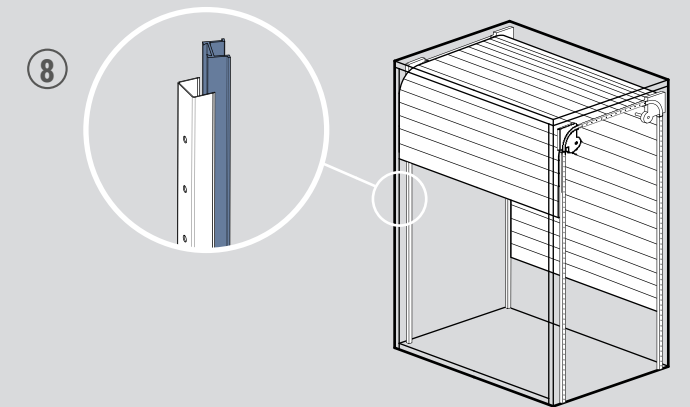
IT Inserire Aluroll 2125. **EN** Insert Aluroll 2125.



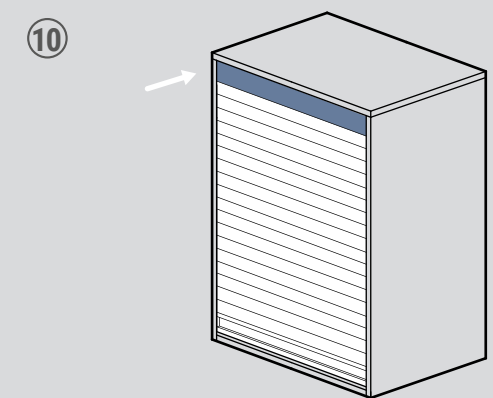
IT Applicare FBS 2014 sul fronte 5 mm interno. **EN** Apply FBS 2014 on the front at 5 mm from the edge.



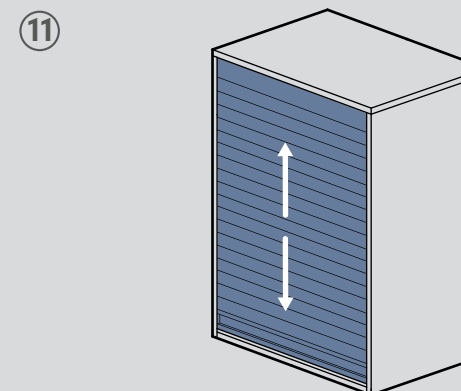
IT Agganciare FBS 2011, profilo maniglia con tappi frizione FBS 9204. **EN** Fix FBS 2011, handle profile with friction caps 9204.



IT Inserire FBS 6501, guida a oncastro. **EN** Insert FBS 6501, inset guide.



IT Agganciare FBS 2013, Top. **EN** Hook FBS 2013, Top.



IT Verificare il corretto funzionamento della serranda. **EN** Check the correct movement of the rolling shutter.