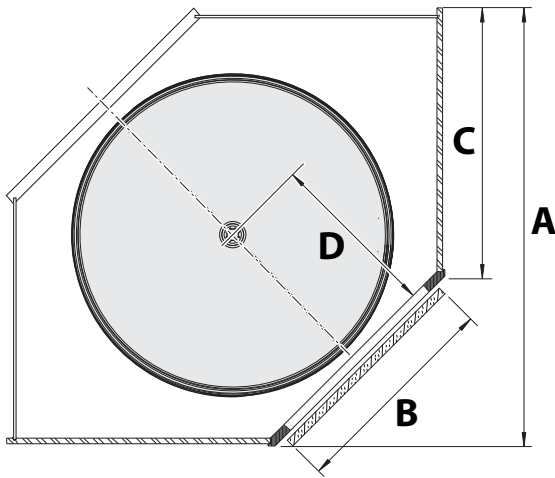
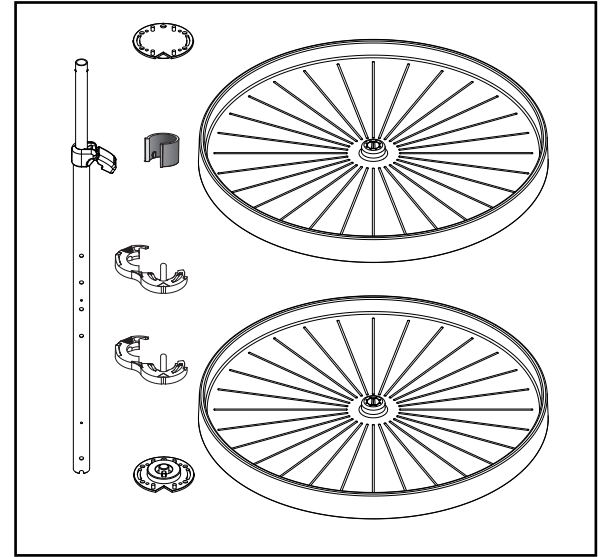
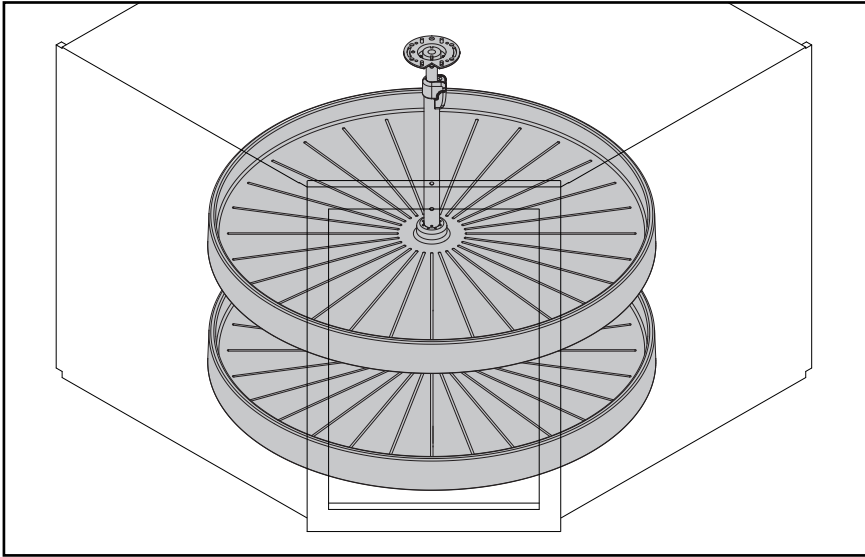
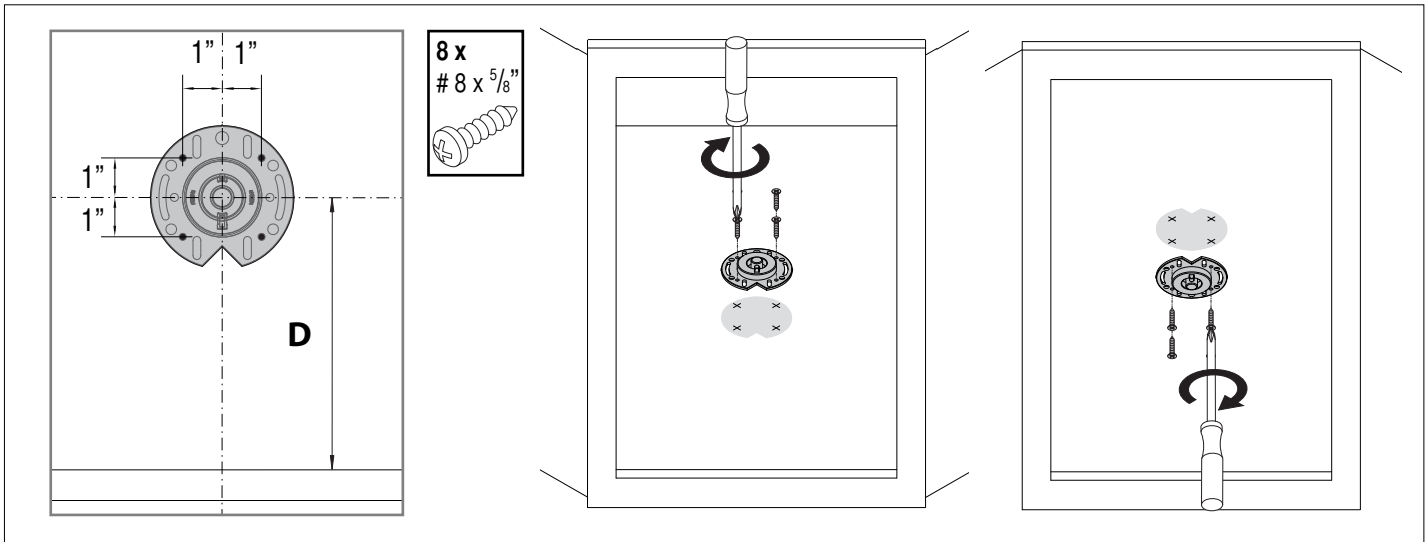


VSUSAN - Full Round

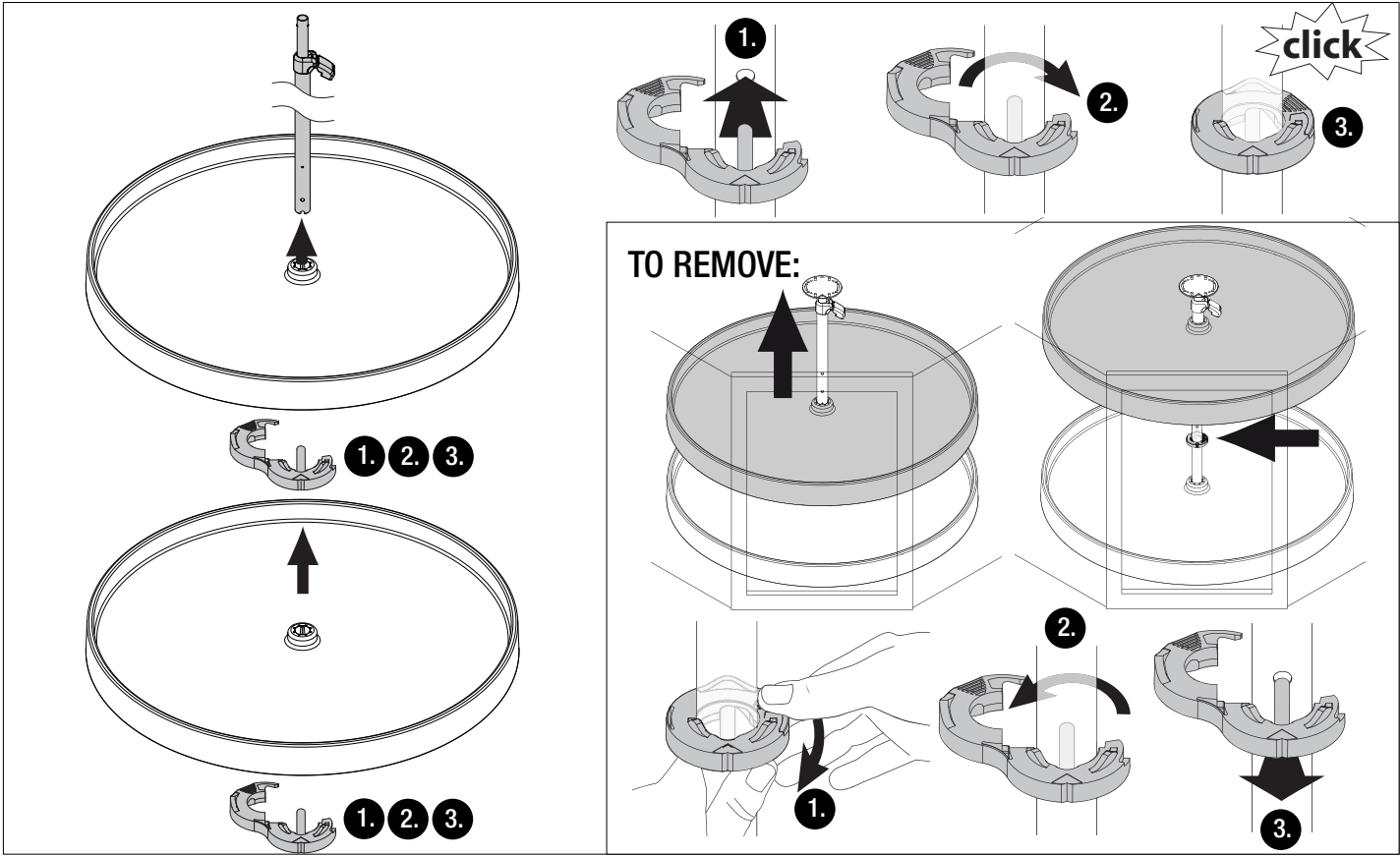


A	B	C			D
24"	17"	12"	18"	18 ¹ / ₈ "	9 ⁵ / ₈ "
27"	17"	15"	18"	18 ¹ / ₈ "	9 ⁵ / ₈ "
33"	13"	24"	24"	23 ⁵ / ₈ "	12 ⁵ / ₁₆ "
36"	17"	24"	28"	28 ³ / ₈ "	14 ⁷ / ₈ "
39"	21"	24"	28"	28 ³ / ₈ "	14 ⁷ / ₈ "
42"	25 ¹ / ₂ "	24"	32"	32 ⁵ / ₁₆ "	16 ¹¹ / ₁₆ "

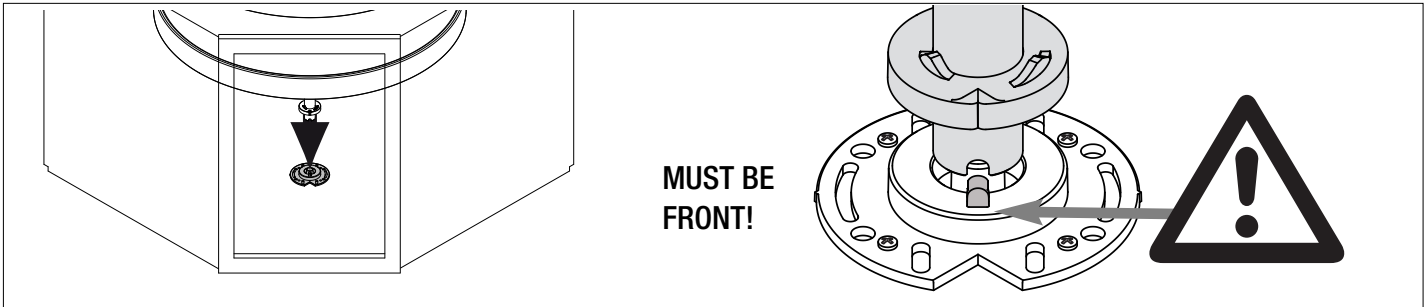
1



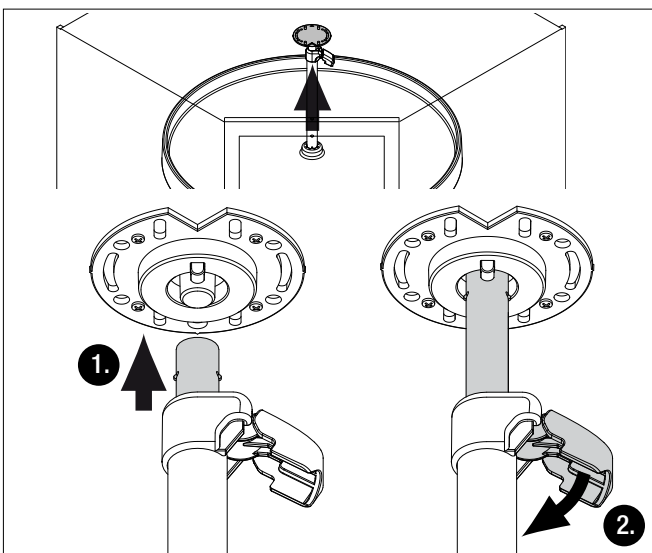
2



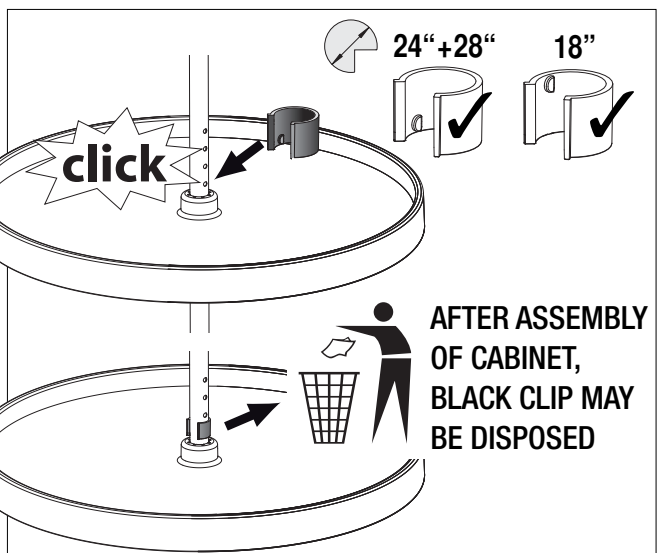
3



4



5



Vauth-Sagel USA LP
 Address 1821 Baker Road
 High Point, NC 27263

Phone + | 336 861 0740
 Toll free + | 855 770 9121
 Fax + | 336 861 0741

Email support@vauth-sagel-usa.com
 Web www.vauth-sagel-usa.com