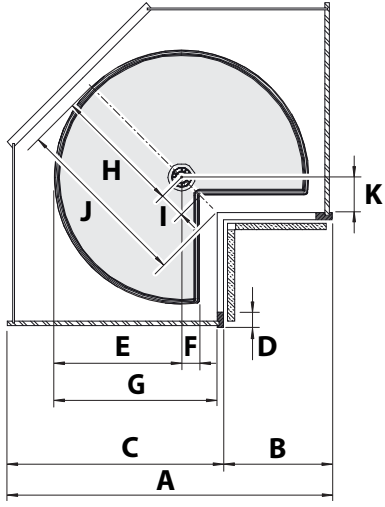
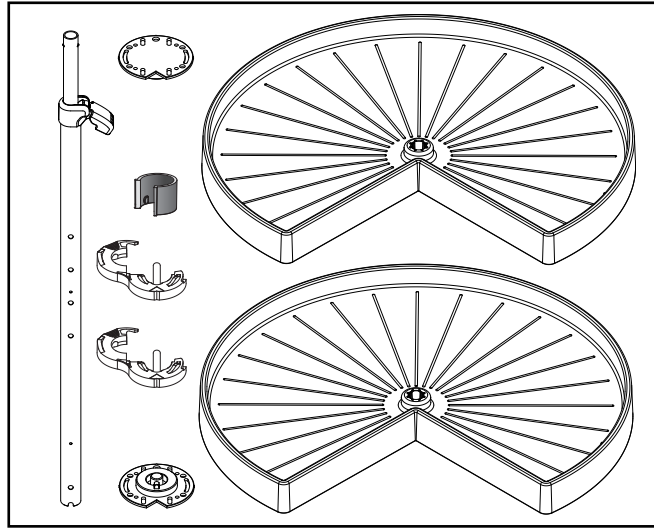
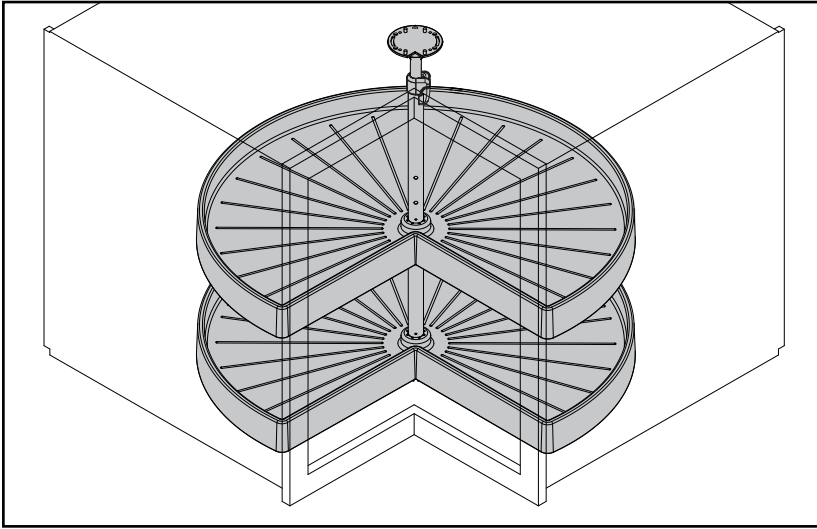


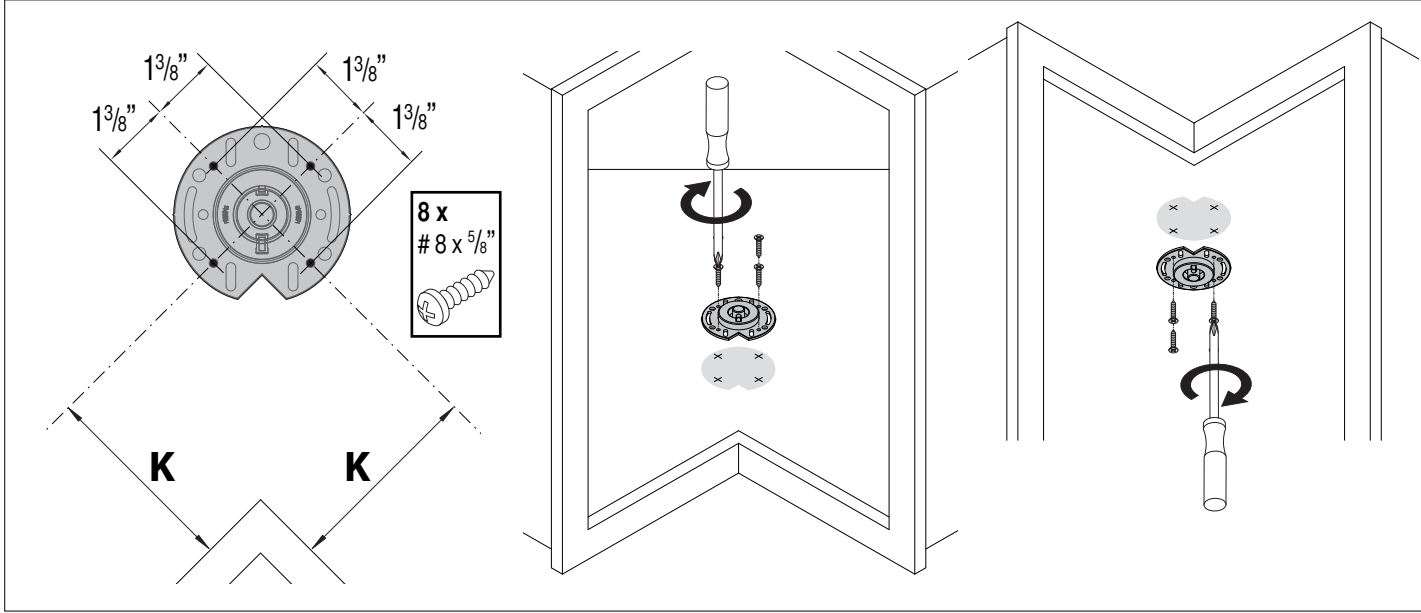
03 / 2014

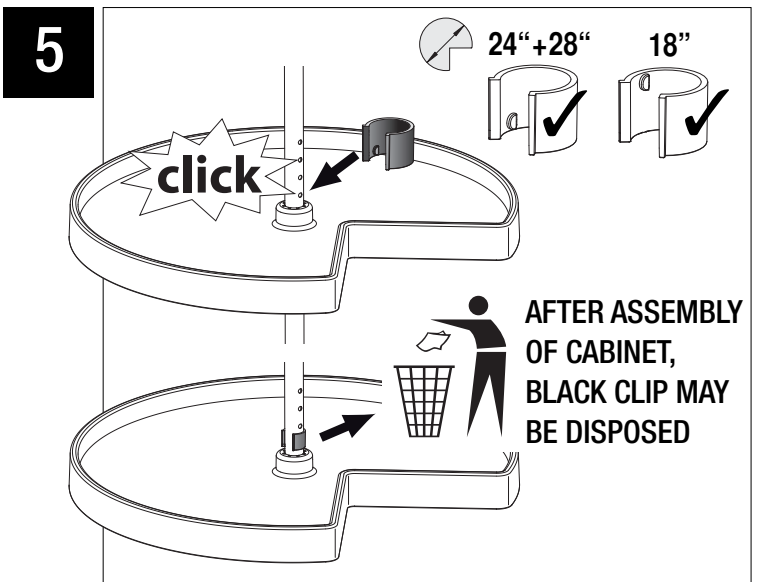
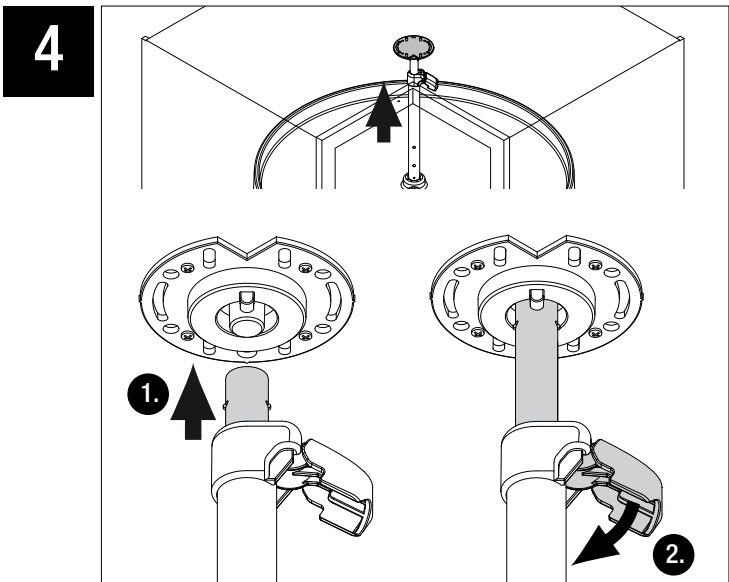
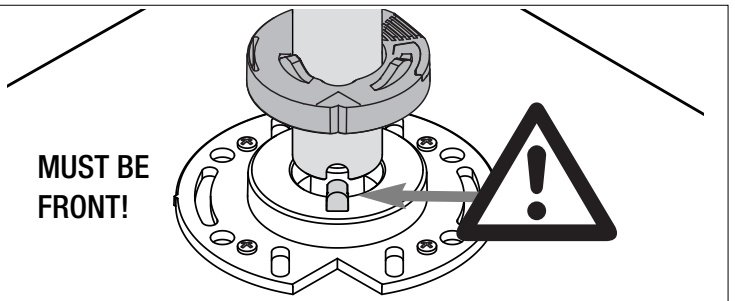
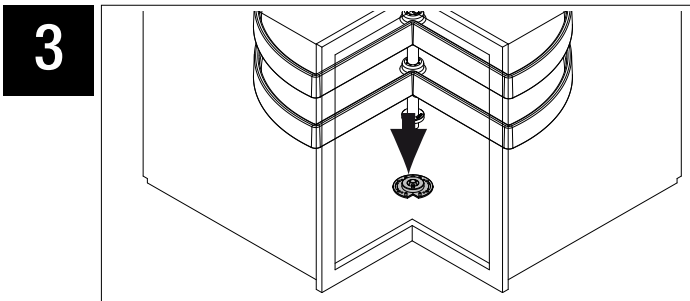
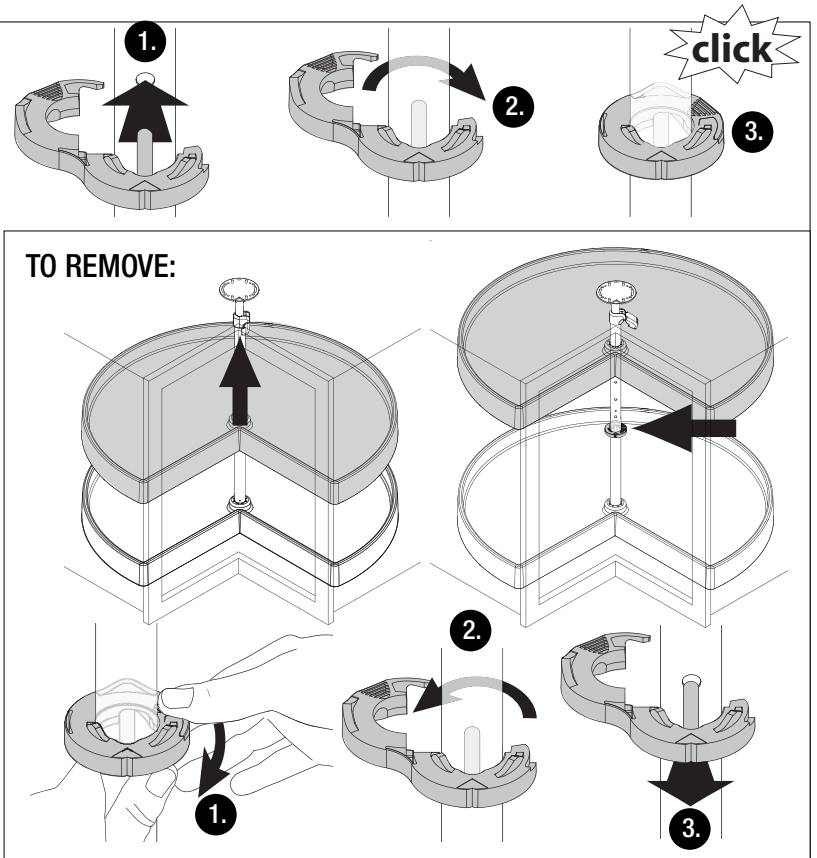
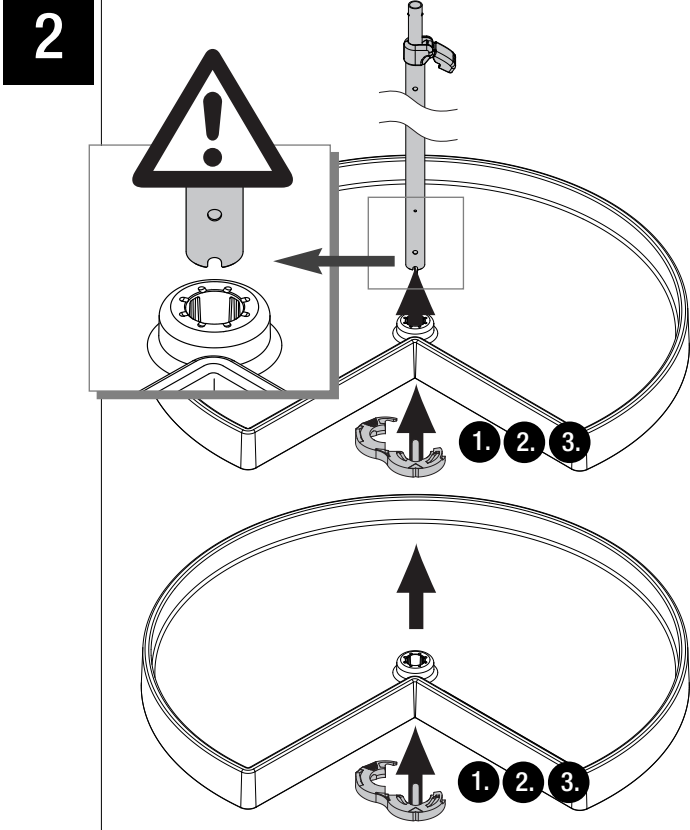
# VSUSAN - Kidney



A	B	C	D <sub>max.</sub>		E	F	G	H	I	J	K
24"	12"	12"	1 3/4"	18"	9 1/16"	1 1/4"	10 1/16"	9 1/16"	1 15/16"	10 1/2"	1"
27"	12"	15"	1 3/4"	24" large cut out	11 13/16"	1 9/16"	13 5/16"	11 13/16"	2 3/8"	13 15/16"	1 1/2"
33"	9"	24"	1 3/4"	24" small cut out	11 13/16"	3"	15 13/16"	11 13/16"	4 3/8"	17 7/16"	4"
36"	12"	24"	1 3/4"	24" large cut out	11 13/16"	1 9/16"	13 5/16"	11 13/16"	2 3/8"	13 15/16"	1 1/2"
36"	12"	24"	1 3/4"	28"	13 3/4"	2"	17 3/8"	13 3/4"	2 7/8"	16 5/8"	3 9/16"
39"	15"	24"	1 3/4"	28"	13 3/4"	2"	17 3/8"	13 3/4"	2 7/8"	16 5/8"	3 9/16"
42"	18"	24"	1 3/4"	32"	16 1/8"	3 9/16"	20 1/8"	16 1/8"	5"	21 3/4"	4"

**1**





**Vauth-Sagel USA LP**  
 Address 1821 Baker Road  
 High Point, NC 27263

**Phone** + | 336 861 0740  
**Toll free** + | 855 770 9121  
**Fax** + | 336 861 0741

**Email** support@vauth-sagel-usa.com  
**Web** www.vauth-sagel-usa.com