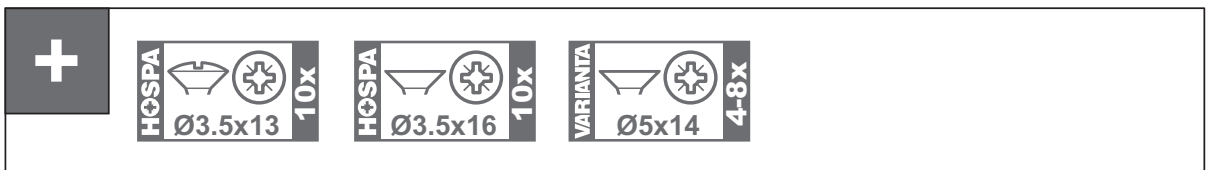
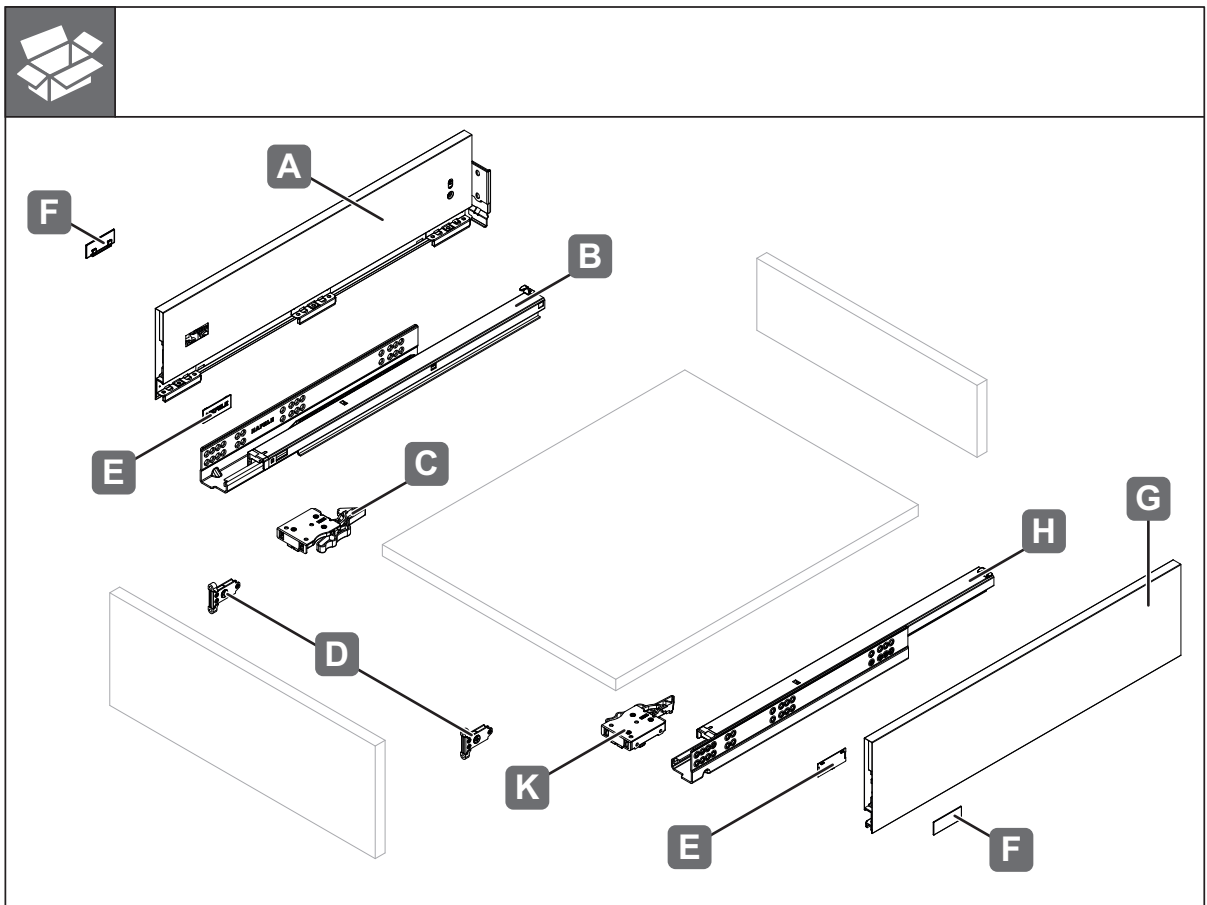
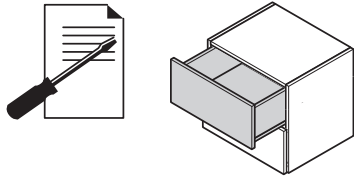


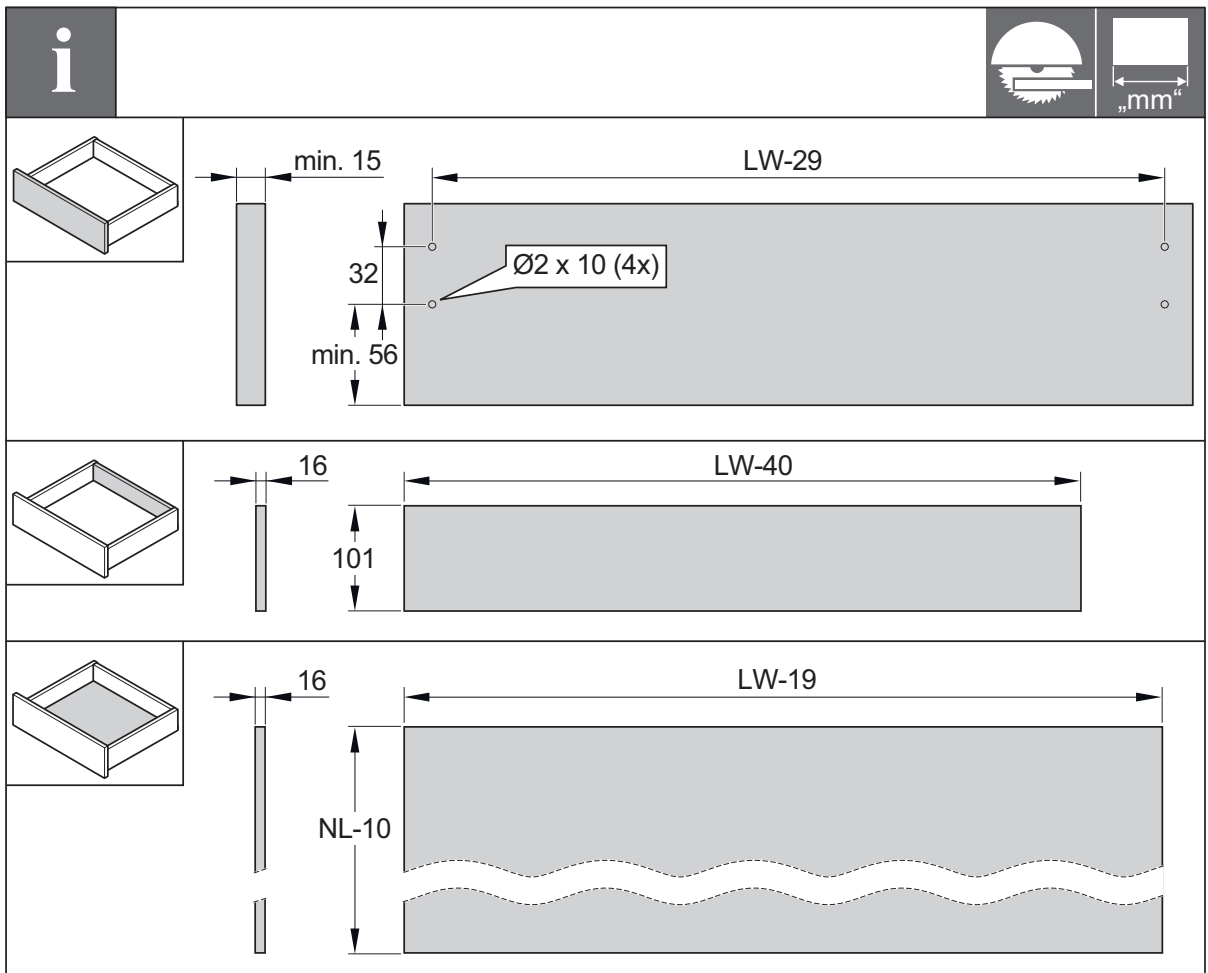
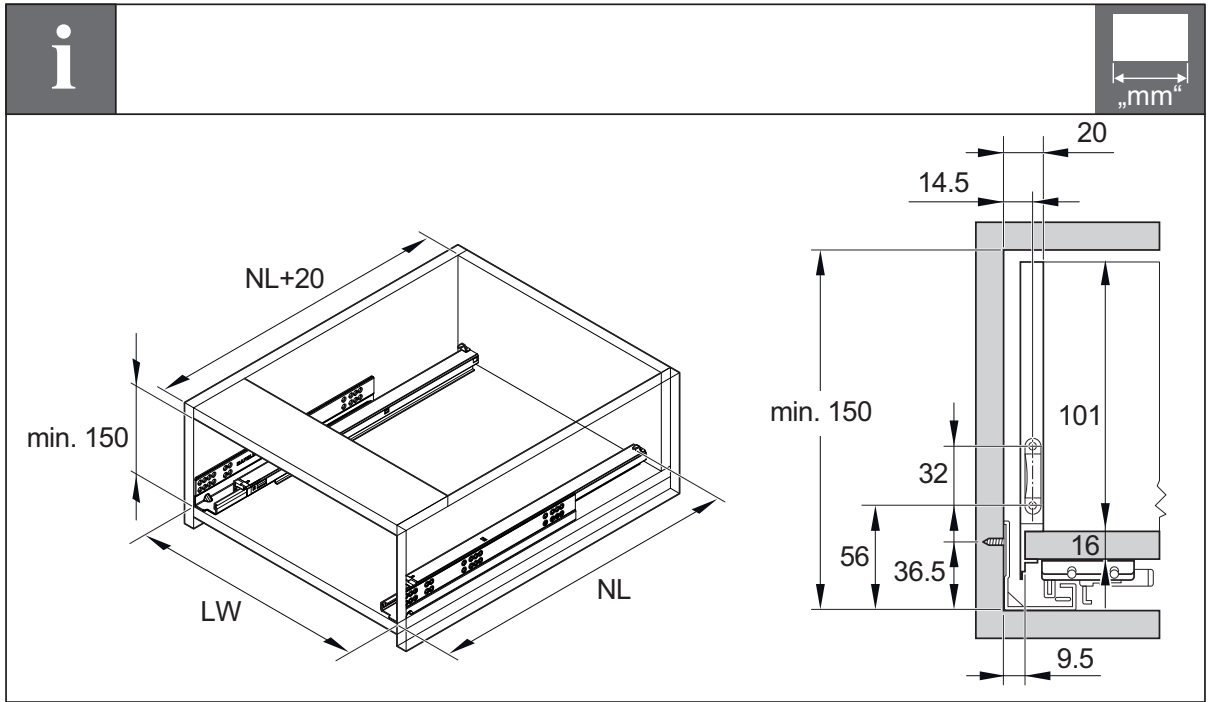
# Mounting Instructions

# HÄFELE

Item No.: 552.27.XXX

## MATRIX BOX SLIM A30 H128





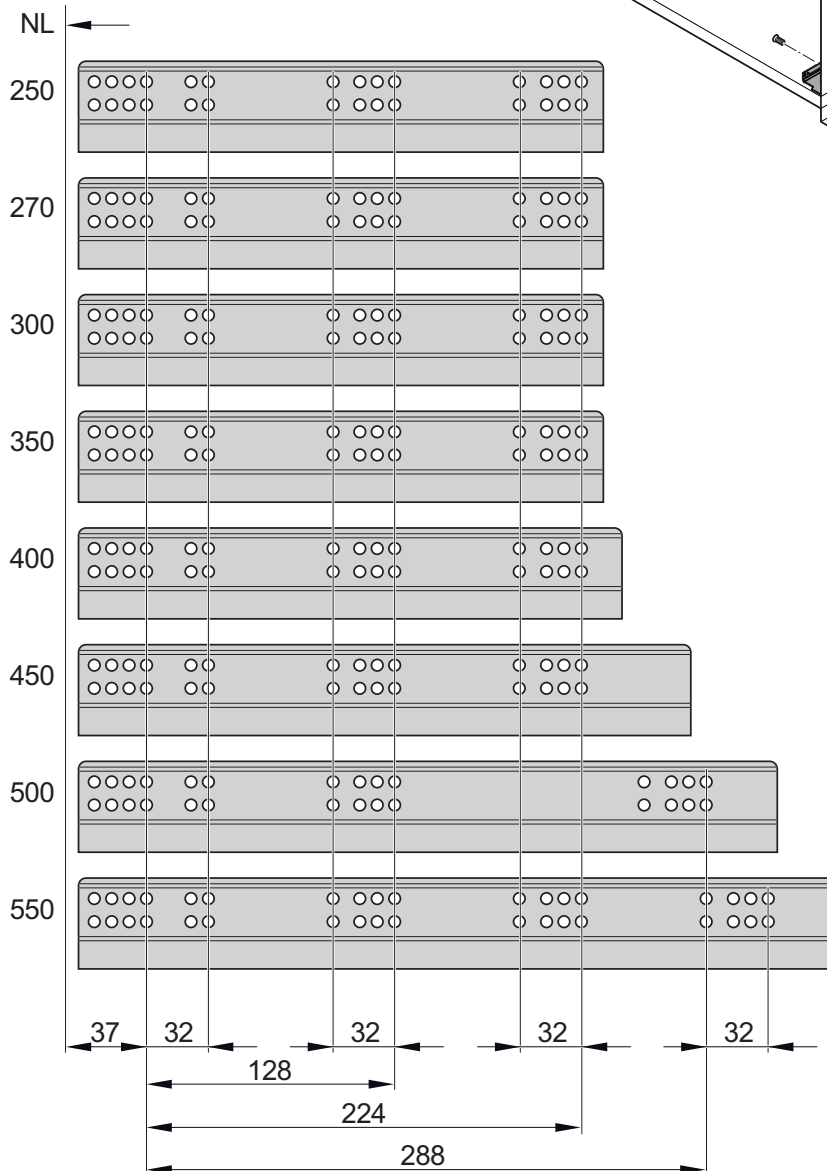
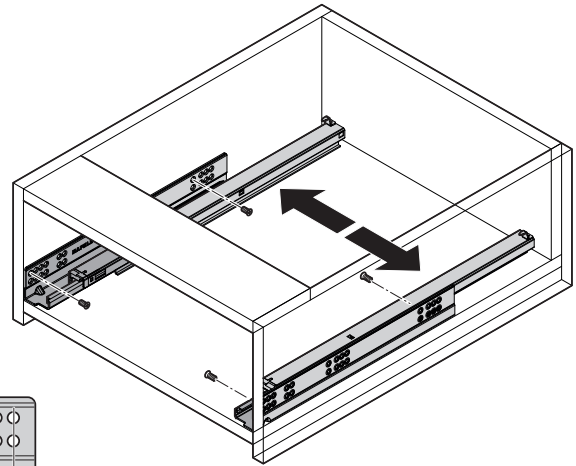
1

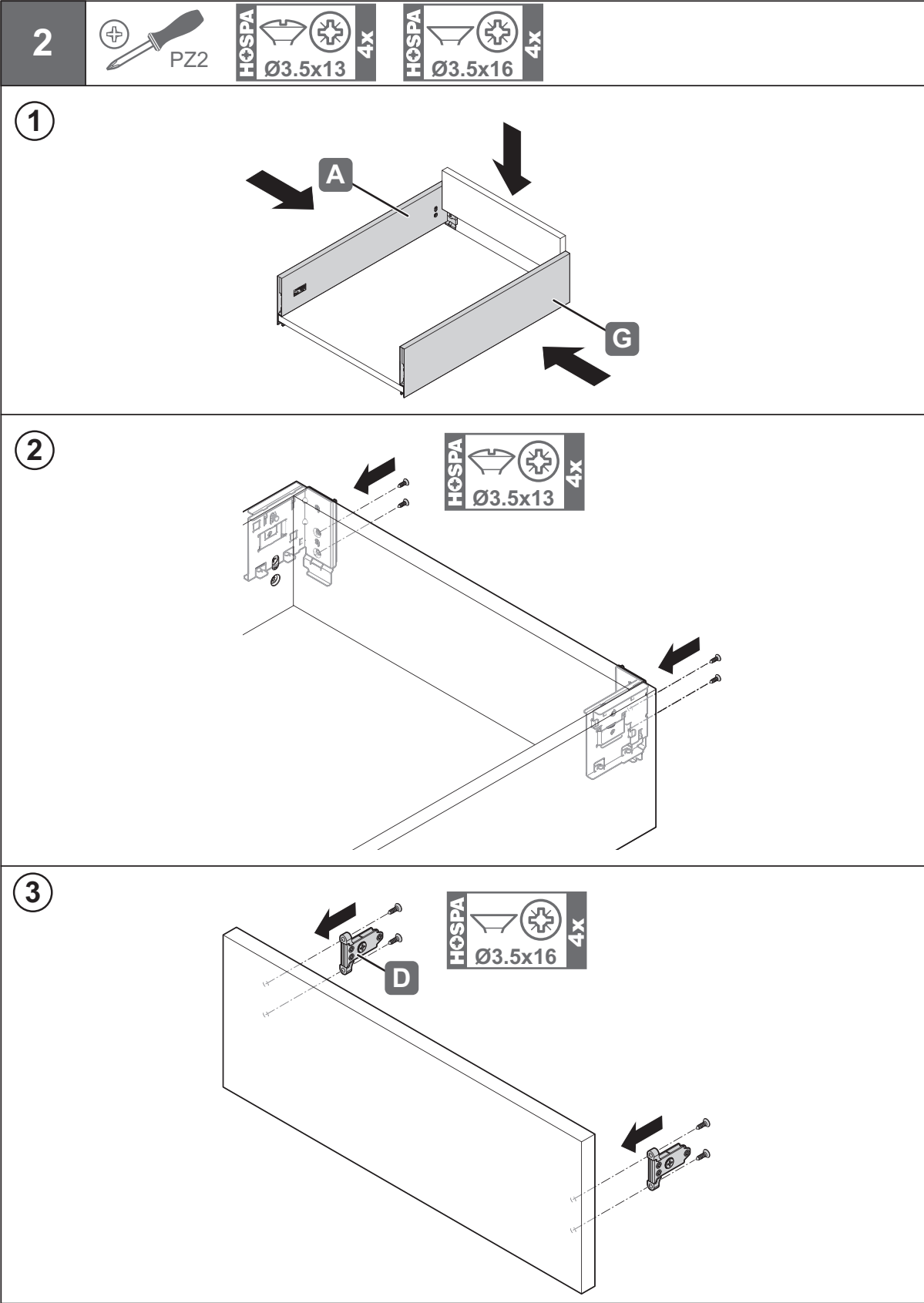


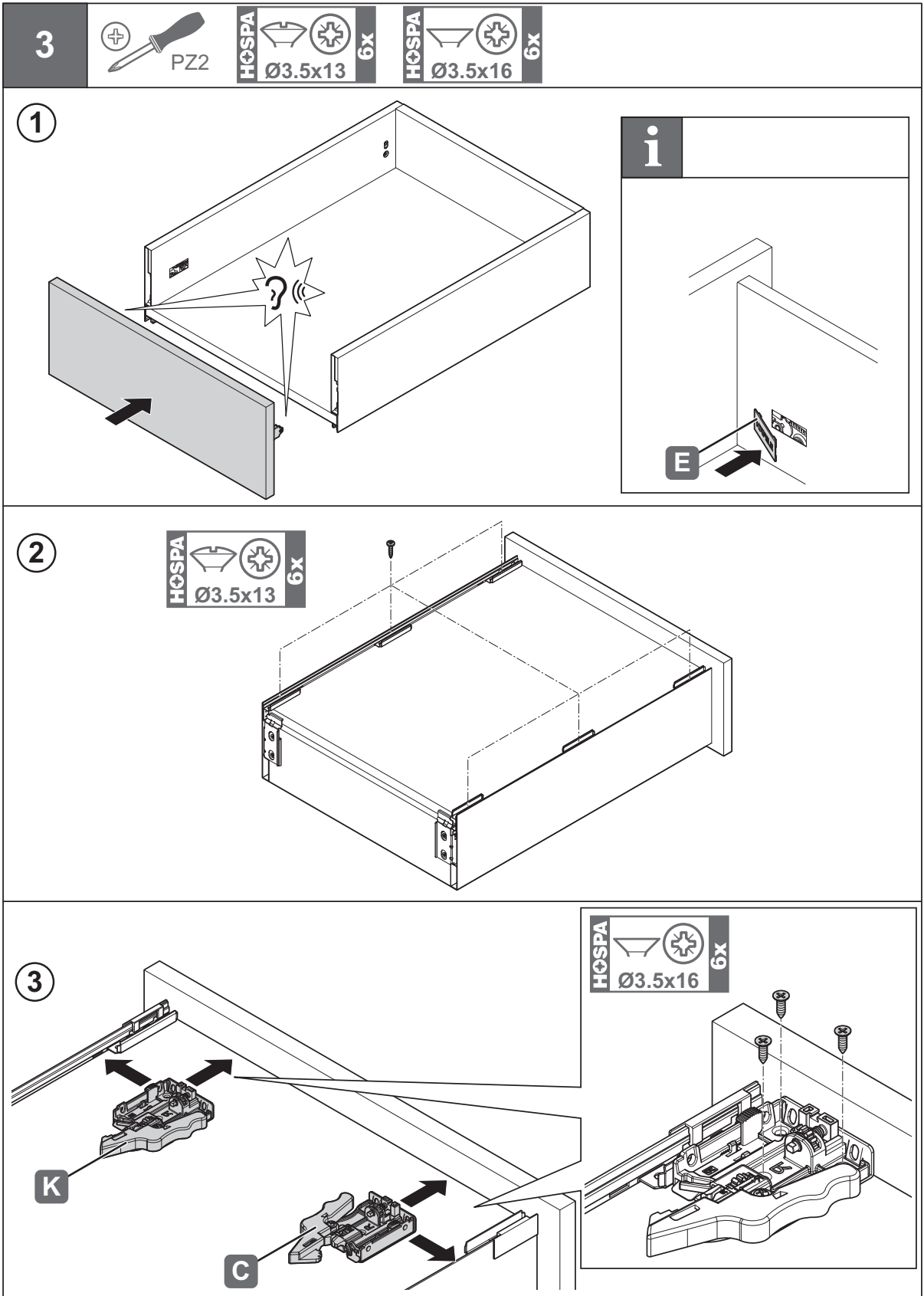
PZ2

VARIANTA  
Ø5x14  
4-8x

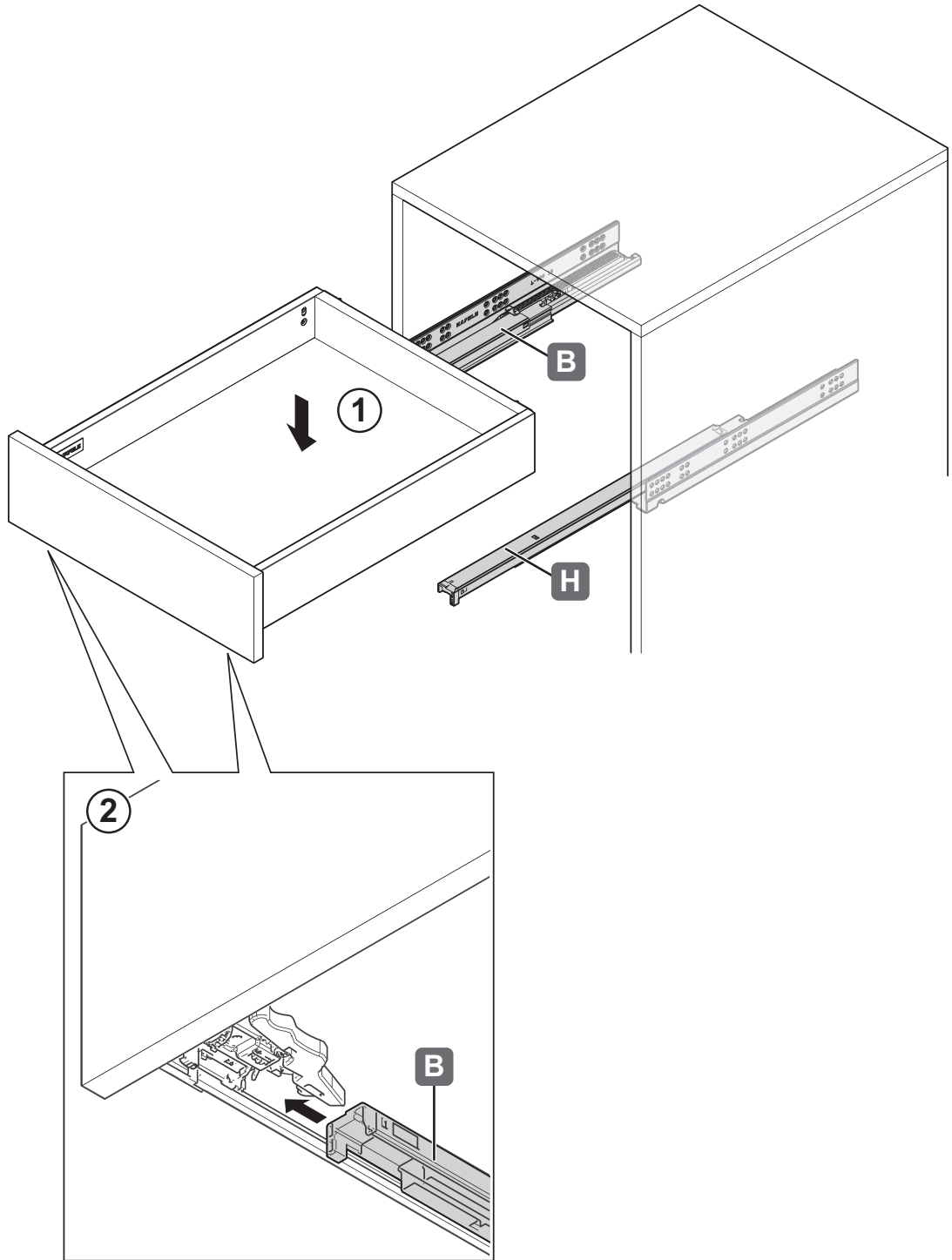
mm

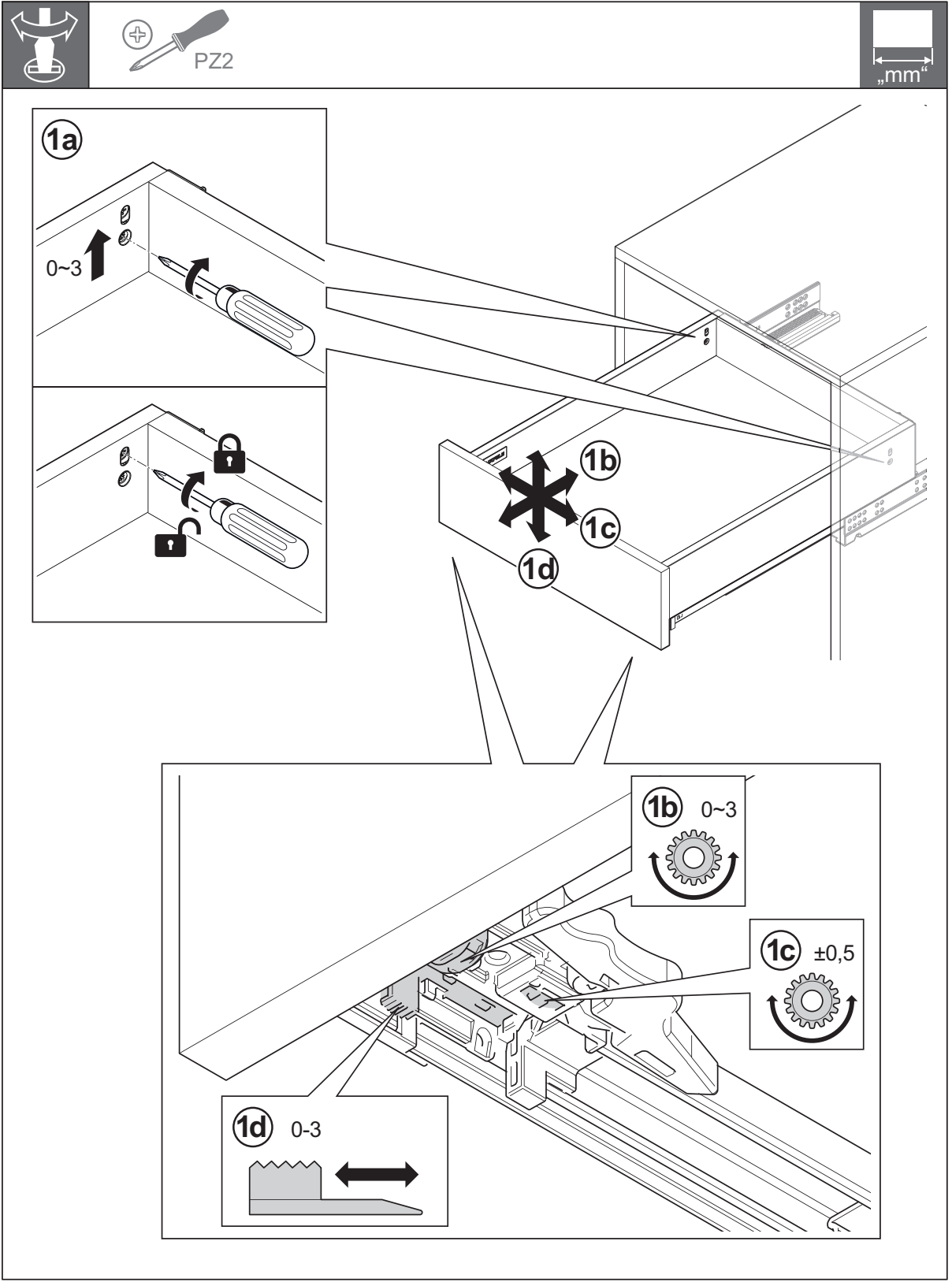


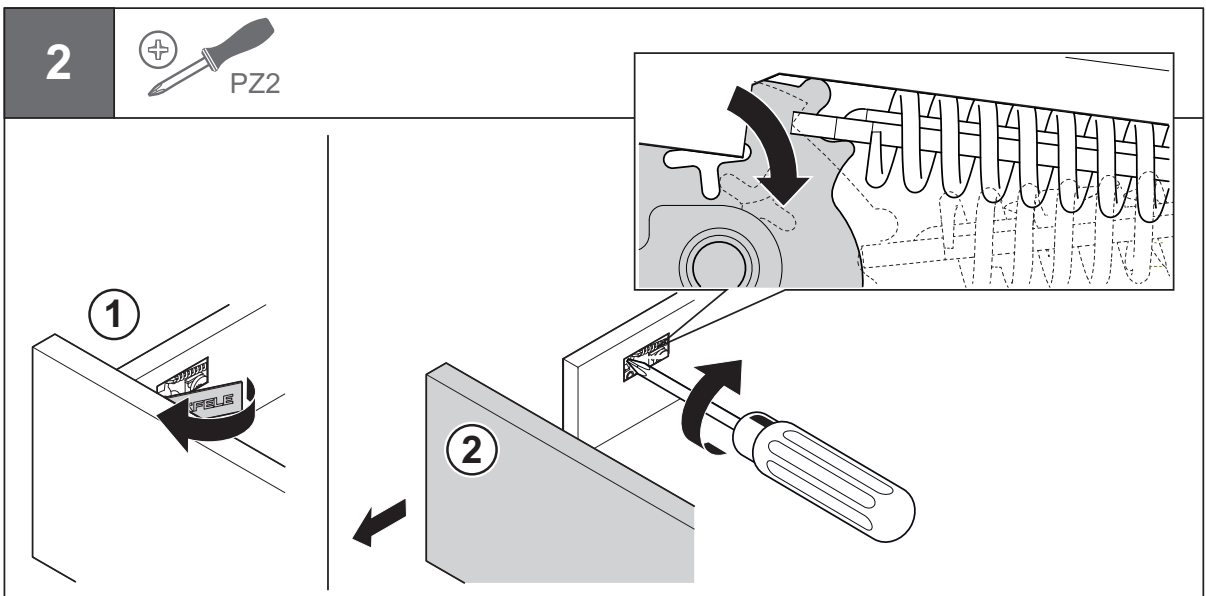
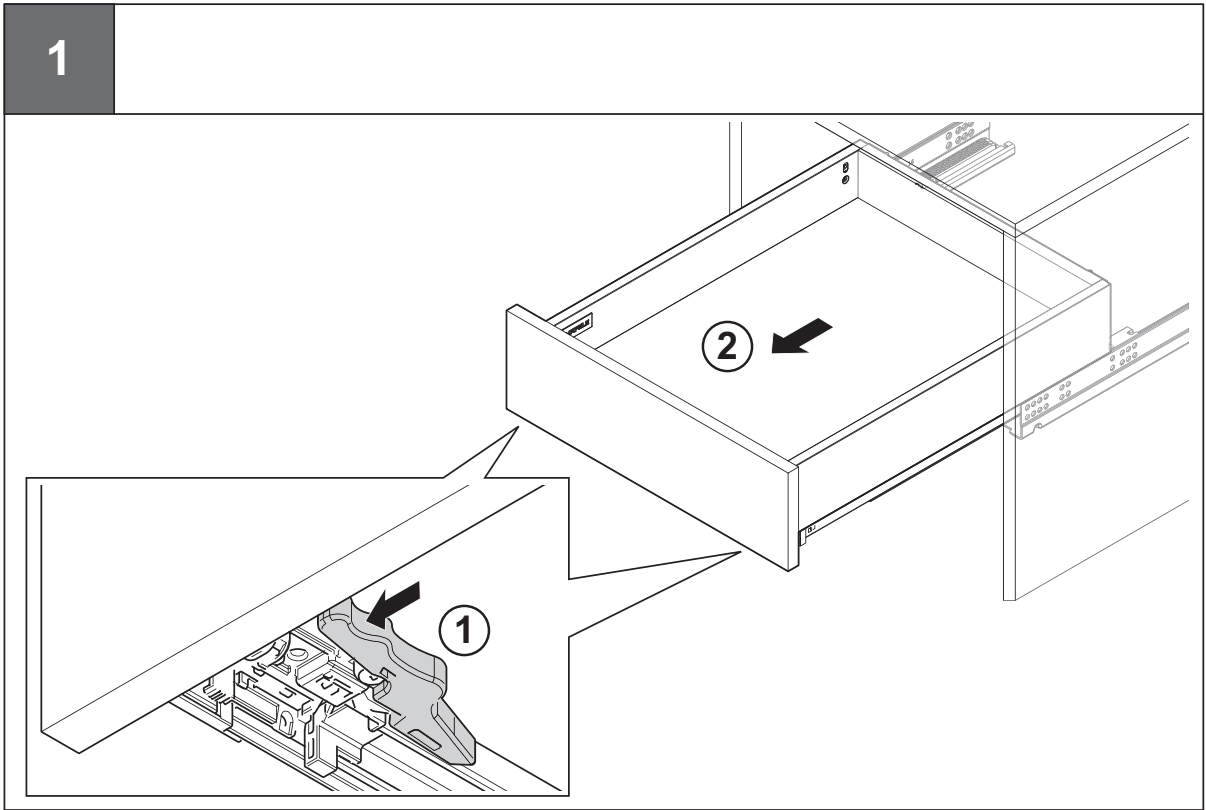
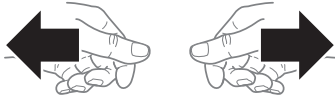




4







**HÄFELE**

3901 Cheyenne Drive • Archdale, NC 27263  
1-800-423-3531 • [www.hafele.com/us](http://www.hafele.com/us)