

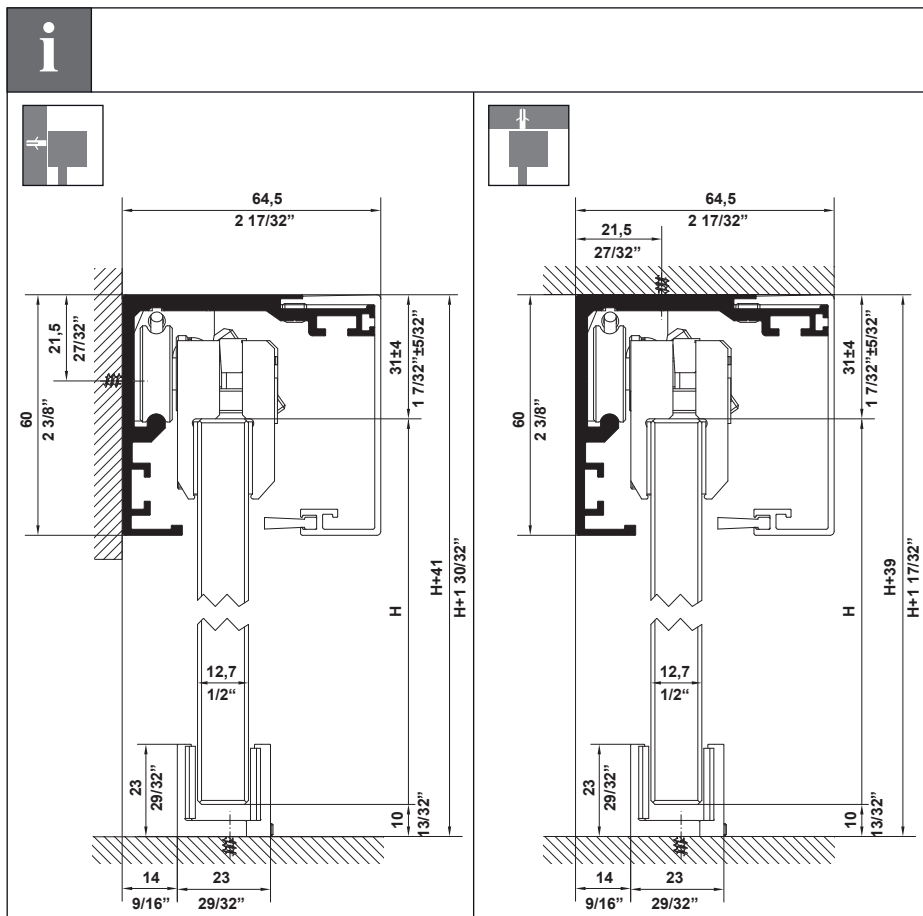




## Slido

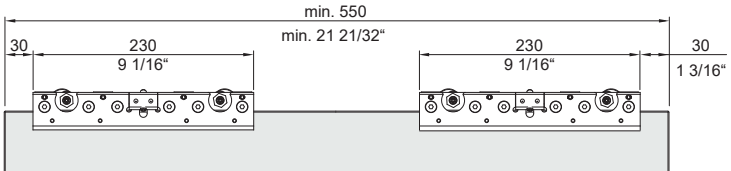
gilt für Artikel: siehe Tabell  
 applies to Cat. No.: see table  
 valable pour référence : voir table  
 adecuado para N° de ref.: ver table

Classic 120 F	0 	2 
Glass door	940.67.040 940.67.042	940.67.300 940.67.301

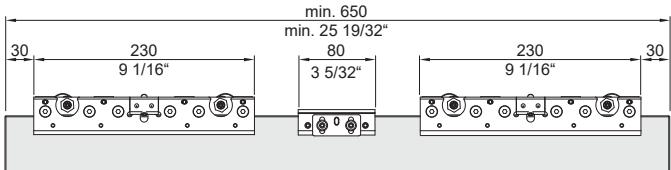


i

0  

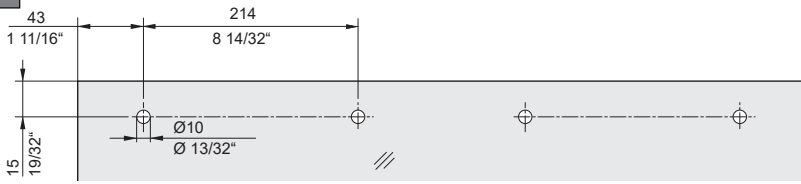
2  

i

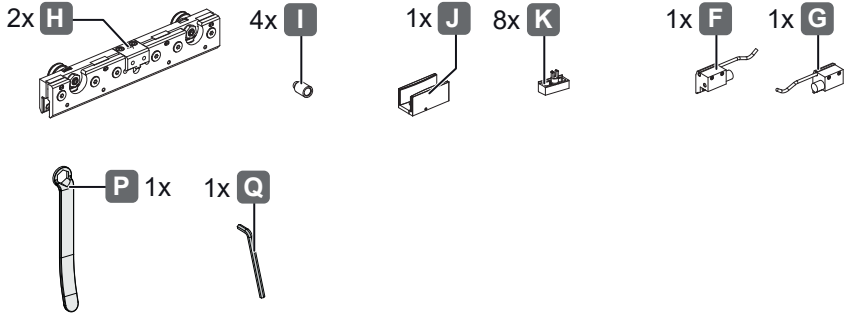
Optional drilling for safety bolt

17/32"  

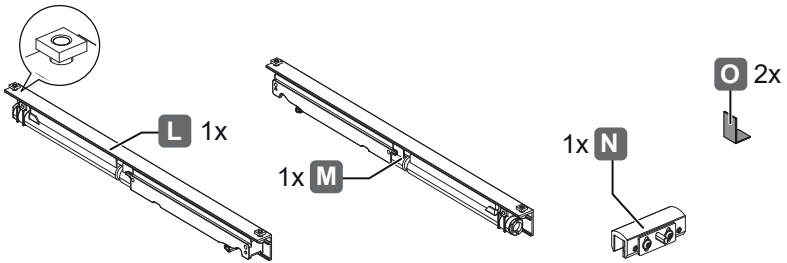





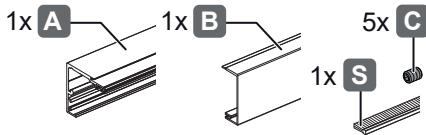
0  
WWVI



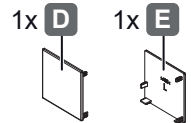
2  
WWVI



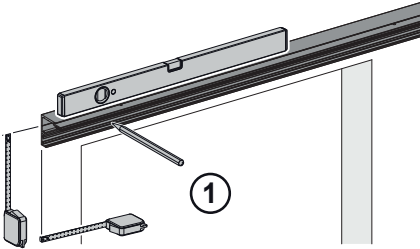
940.67.600	940.67.603	940.67.605	940.67.608
940.67.601	940.67.604	940.67.606	940.67.609
940.67.602	940.67.700	940.67.607	940.67.610



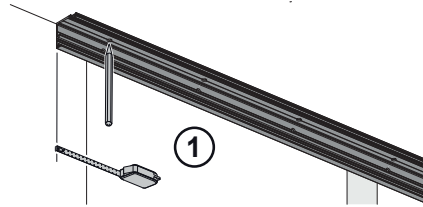
940.67.400
940.67.408



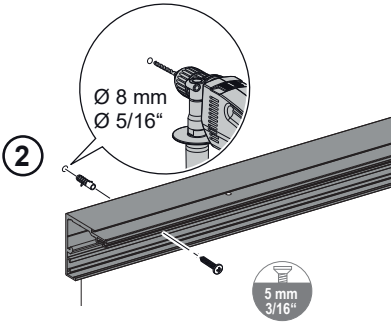
1



1

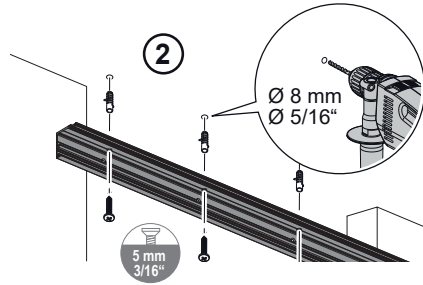


1



2

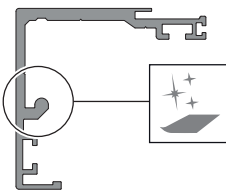
5 mm  
3/16"



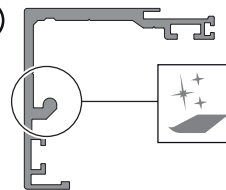
2

5 mm  
3/16"

3



3



2
IS 30

1/2"

1

2  
14 Nm  
10 ft-lb

~20°C  
~68°F

---

17/32"

1

6  
14 Nm  
10 ft-lb

~20°C  
~68°F

2

3

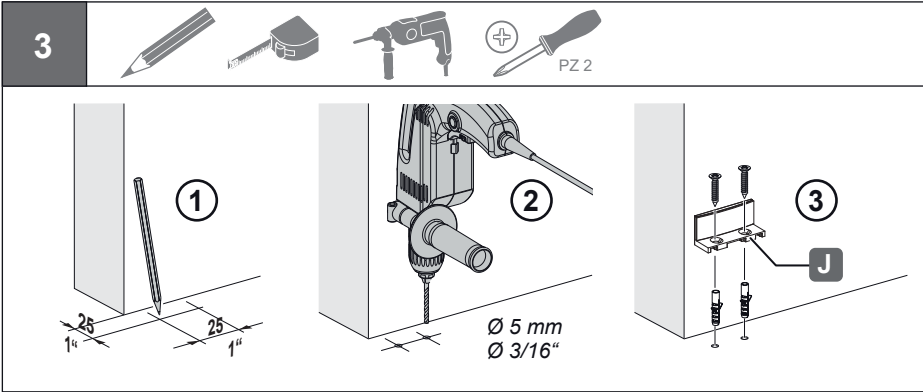
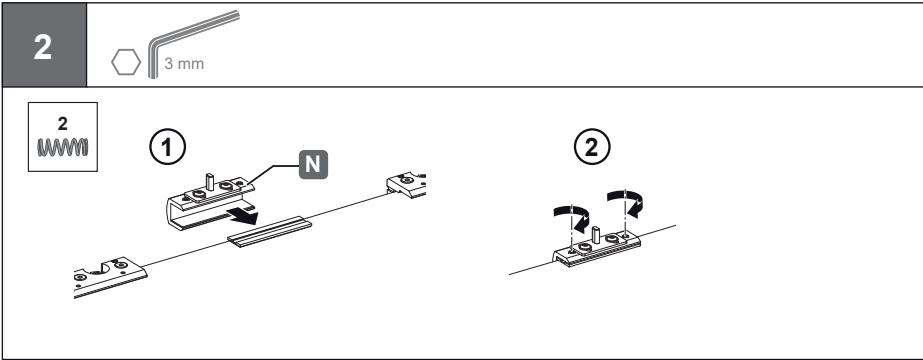
Safety bolt for optional use

4

5

6

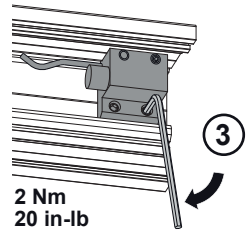
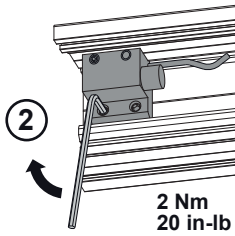
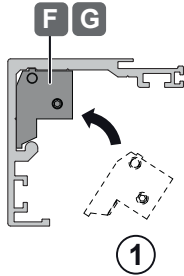
~20°C  
~68°F



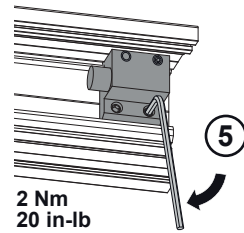
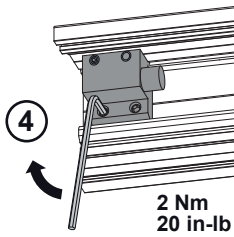
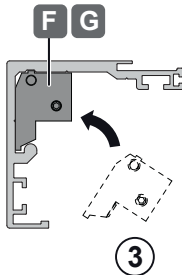
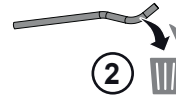
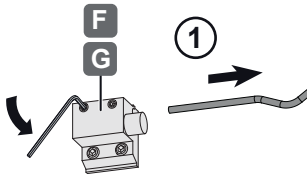
4



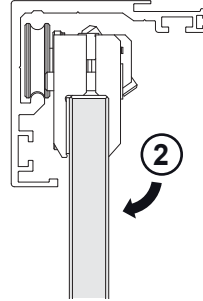
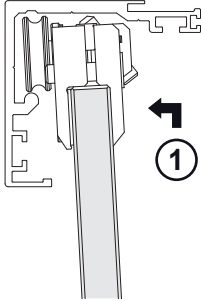
0



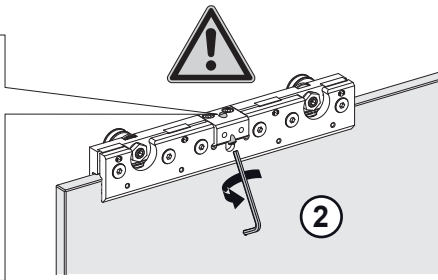
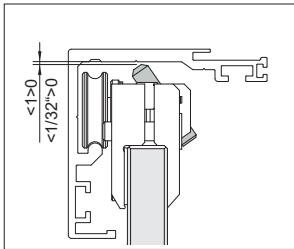
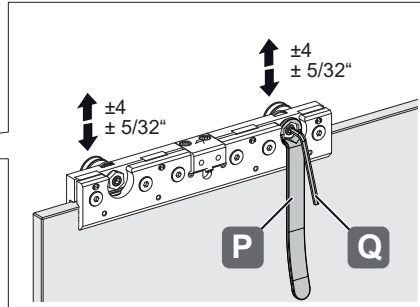
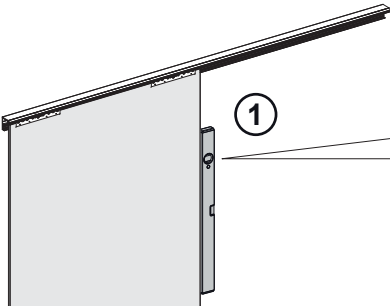
2



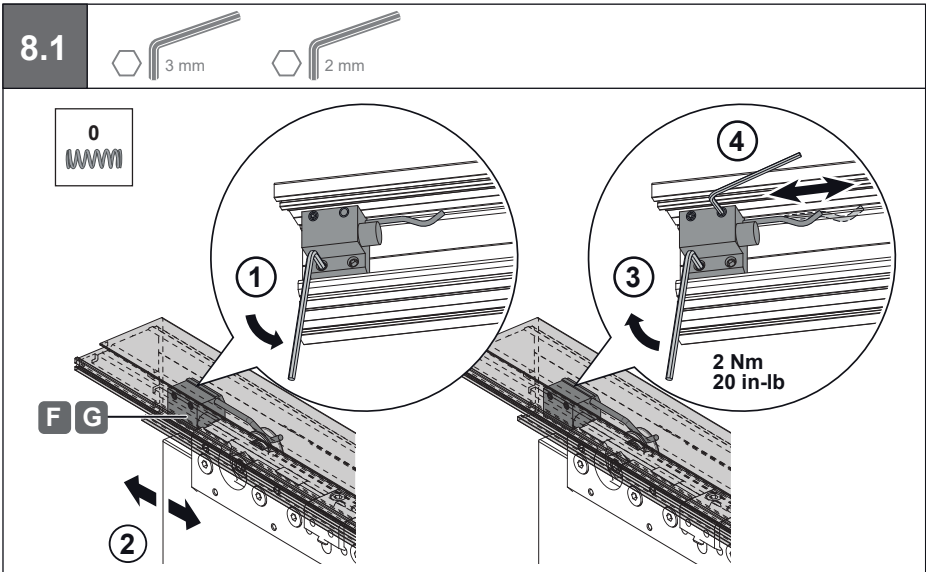
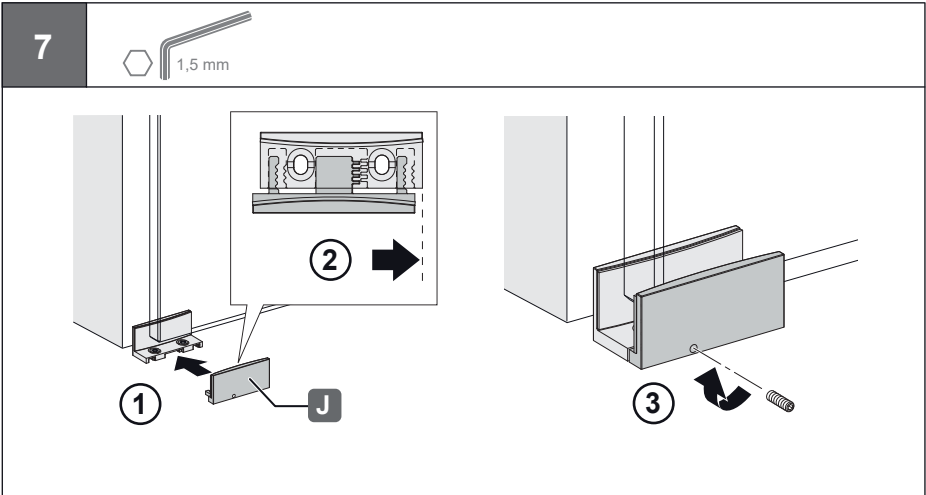
5



6



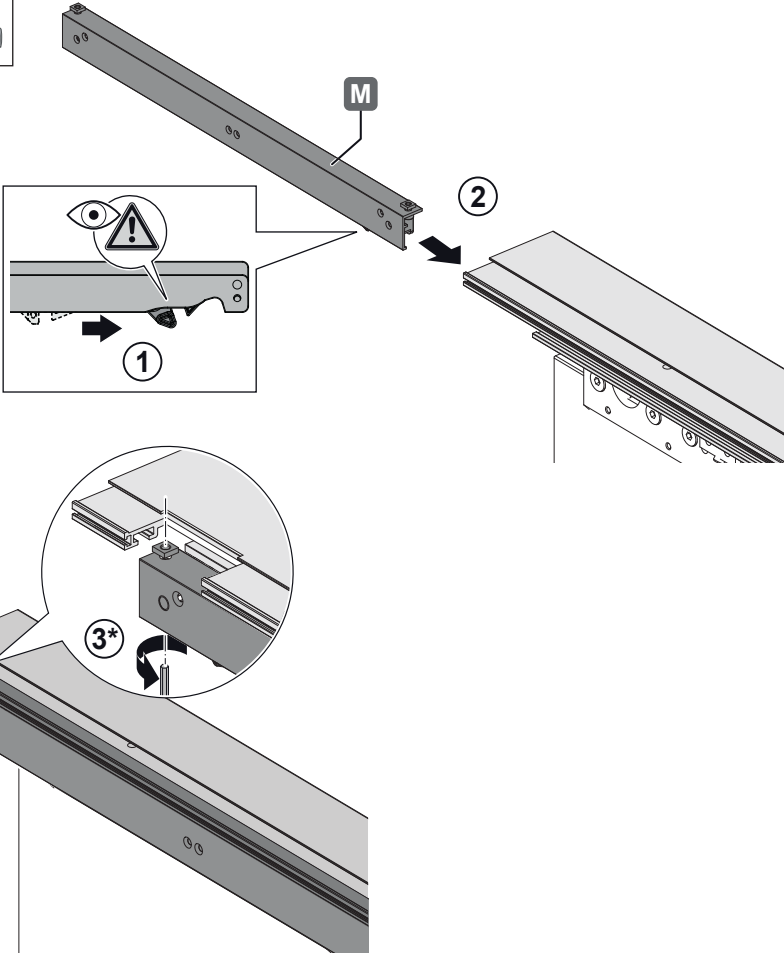




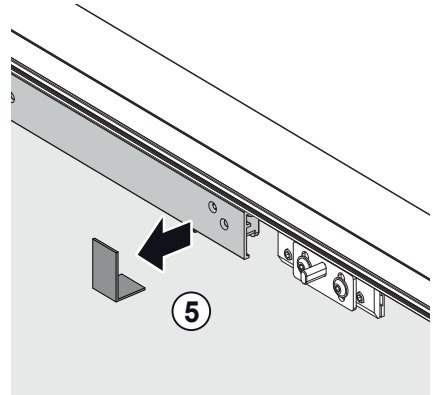
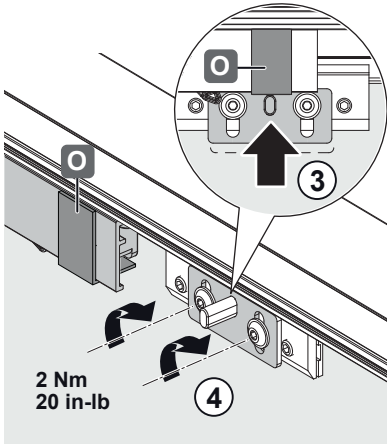
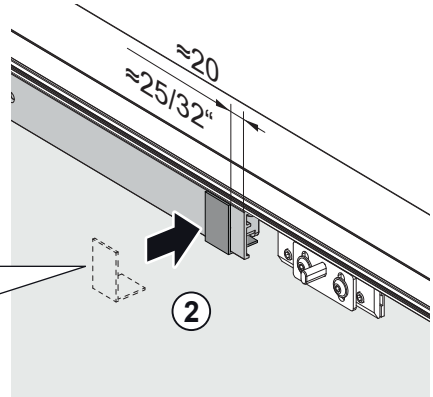
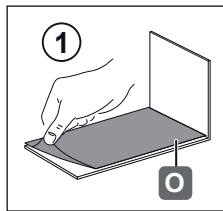
8.2



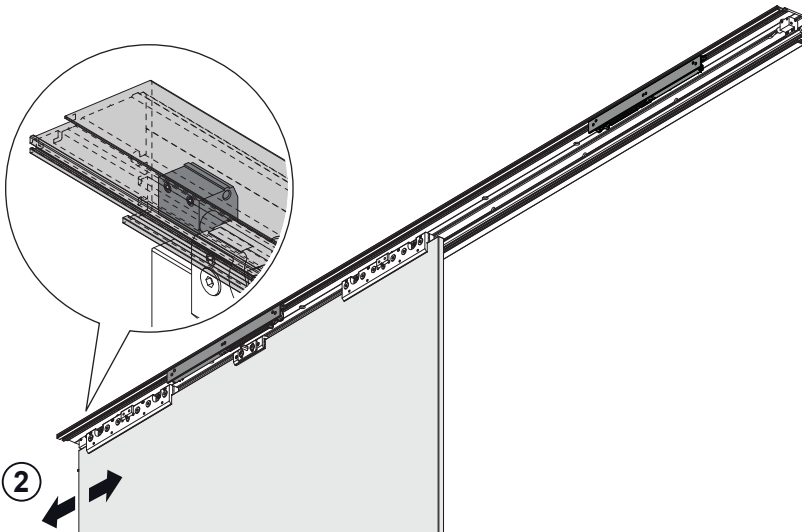
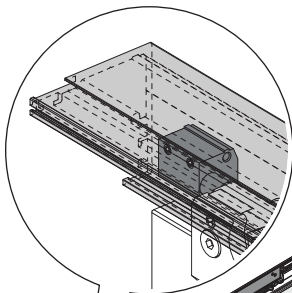
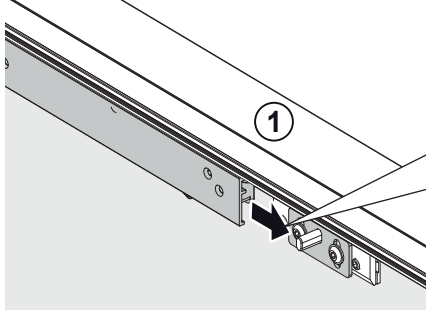
2



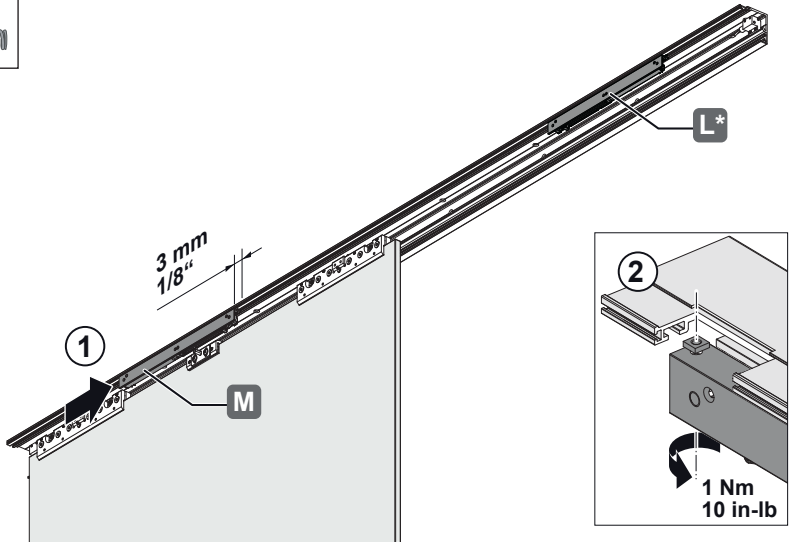
8.2



8.2

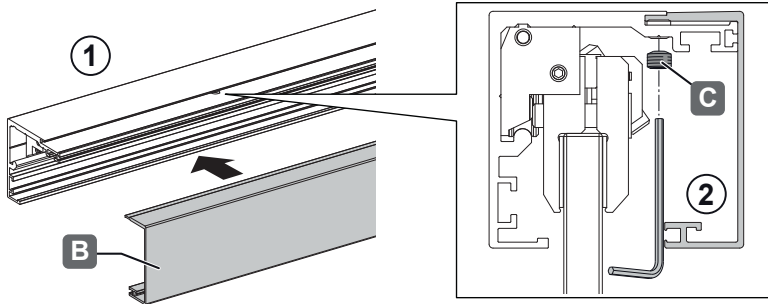


8.2



\* For mounting the second soft close, repeat assembly steps 8.2 on the other side!

9



10

