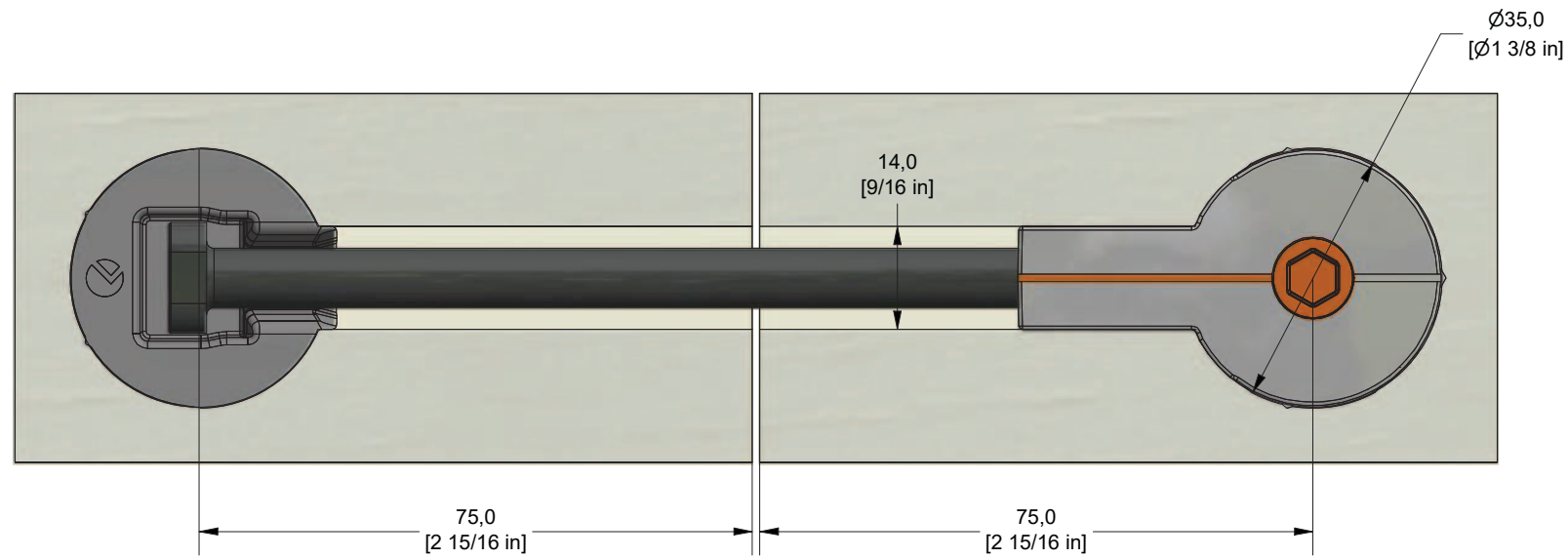
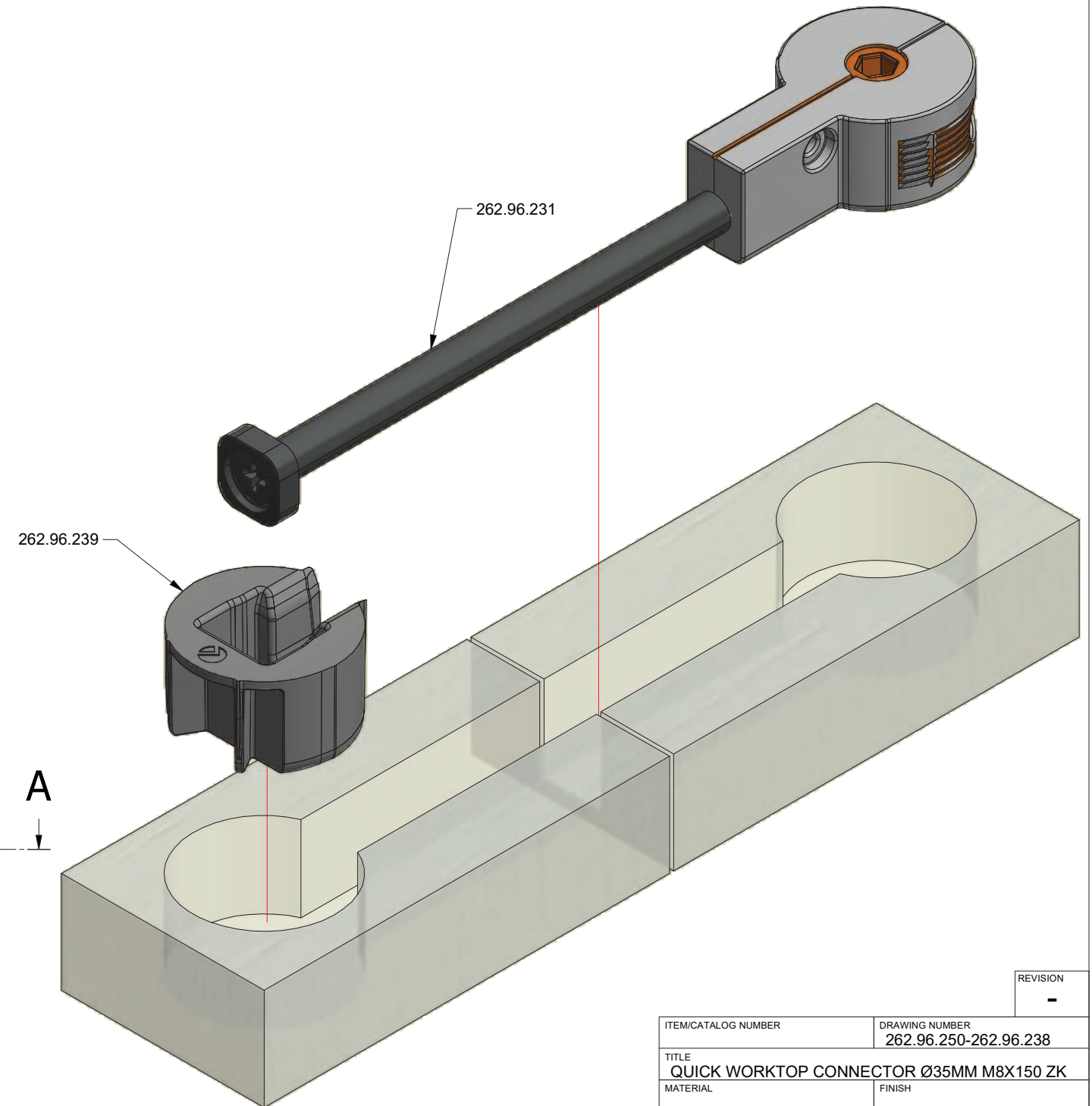
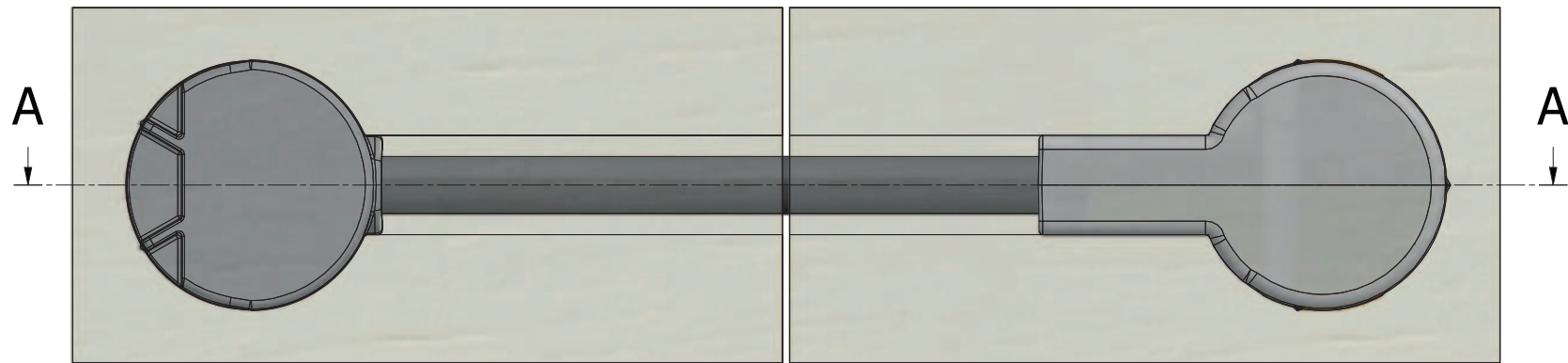
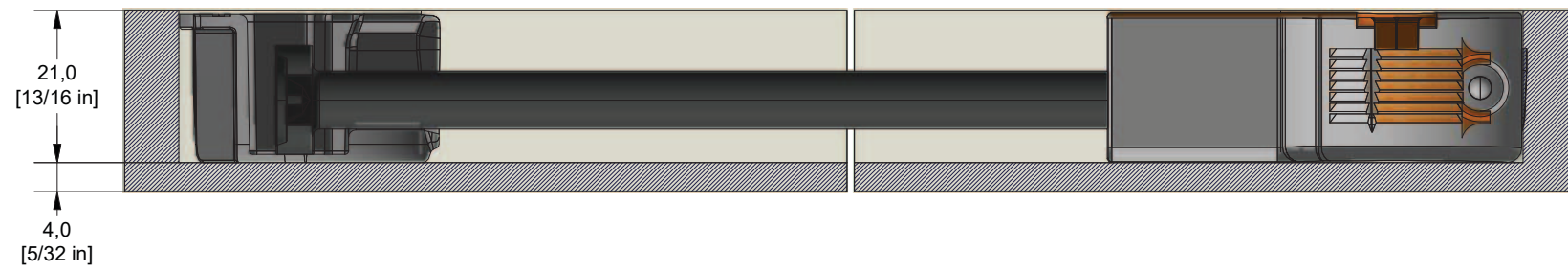


REVISION
-

ITEM/CATALOG NUMBER 262.96.231	DRAWING NUMBER 262.96.231
TITLE QUICK WORKTOP CONNECTOR Ø35MM M8X150 ZK	
MATERIAL ZINC	FINISH WHITE
DRAWN BY: NPG	
APPROVED BY: JF	
DATE: 1/23/2009	
SCALE: 1 : 1	
TOLERANCE SPECIFICATION ISO 2768-m	ISO E
SIZE B	SHEET 1 OF 2



A-A (1:1)



REVISION
-

ITEM/CATALOG NUMBER	DRAWING NUMBER
	262.96.250-262.96.238
TITLE	
QUICK WORKTOP CONNECTOR Ø35MM M8X150 ZK	
MATERIAL	FINISH
NOTES:	
THIS DRAWING AND ALL INFORMATION THEREON IS THE PROPERTY OF HÄFELE. IT IS NOT TO BE REPRODUCED OR TRANSMITTED IN ANY FORM OR BY ANY MEANS, ELECTRONIC OR MECHANICAL, INCLUDING PHOTOCOPYING, RECORDING, OR BY ANY INFORMATION STORAGE AND RETRIEVAL SYSTEM, WITHOUT PERMISSION IN WRITING FROM HÄFELE.	
DRAWN BY:	NPG
APPROVED BY:	JF
DATE:	8/5/2020
SCALE:	1:1
TOLERANCE SPECIFICATION	ISO E
SIZE	B
SHEET 2 OF 2	