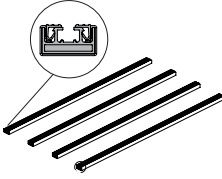
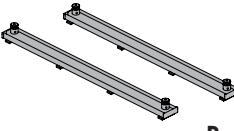
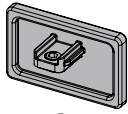





INSTALLATION GUIDE

SYMPHONY Wall Organizer

PART A: INSTALL PREPARATION


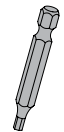
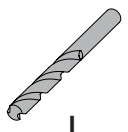
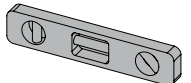
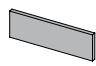
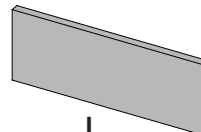
components

Horizontal Bars	Vertical Bars	End Caps	Toggler	Posts	#10-24 Screws
 A	 B	 C	 D	 E	 F

⚠ WARNING:
This product can expose you to chemicals including chromium (hexavalent compounds), which are known to the State of California to cause cancer and birth defects or other reproductive harm.

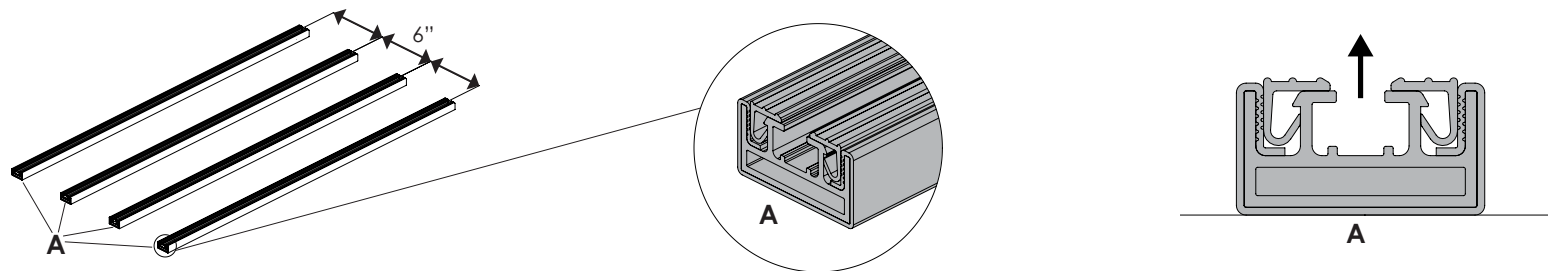
For more information, visit www.p65warnings.ca.gov

tools

Allen Key 2.5 mm (included)	Allen Drill Bit 3mm (included)	1/2" Drill Bit	Leveler	Jig K (included)	Jig L (Shop Supplied)
 G	 H	 I	 J	 K	 L

Recommended but not required
Refer to **PART F** for placement

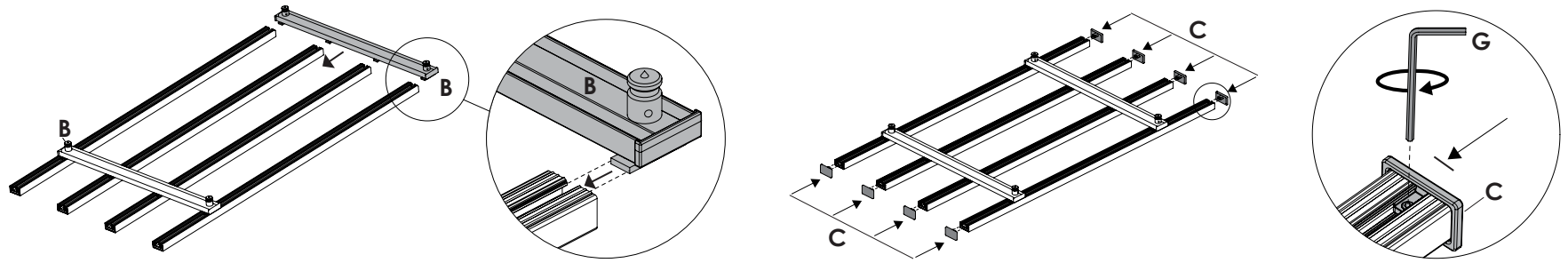
install prep



PART B: ASSEMBLY

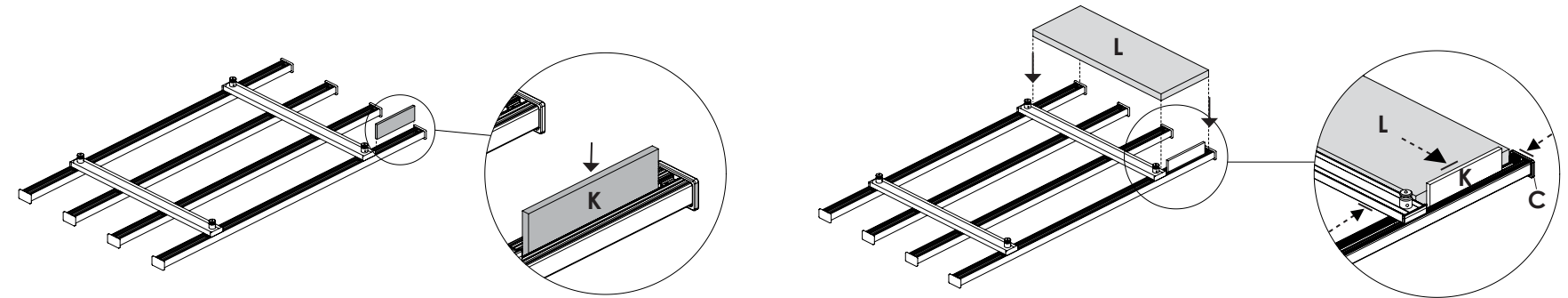
1

Insert vertical bars and end caps



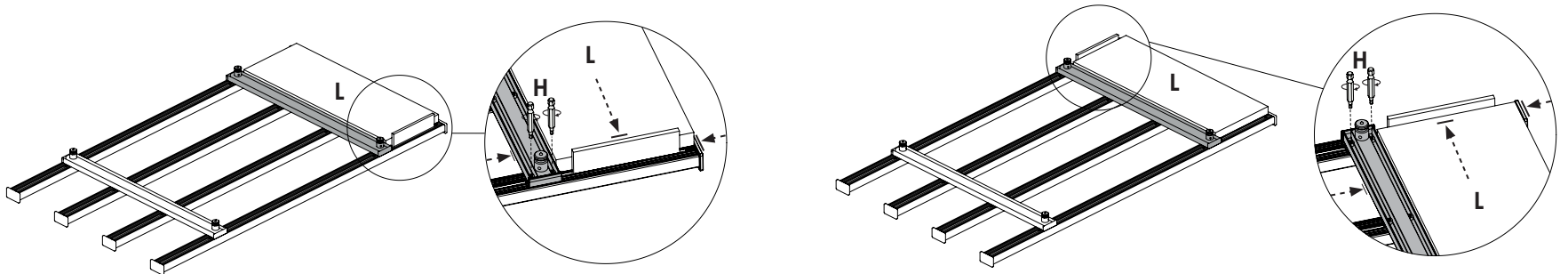
2

Insert Jig 1 & 2



3

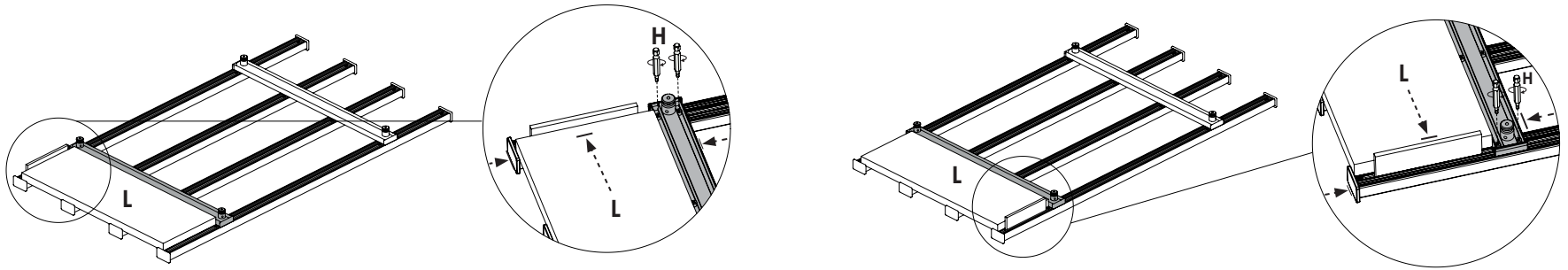
Secure corners of Vertical Bars



PART C: ASSEMBLY & WALL INSTALLATION

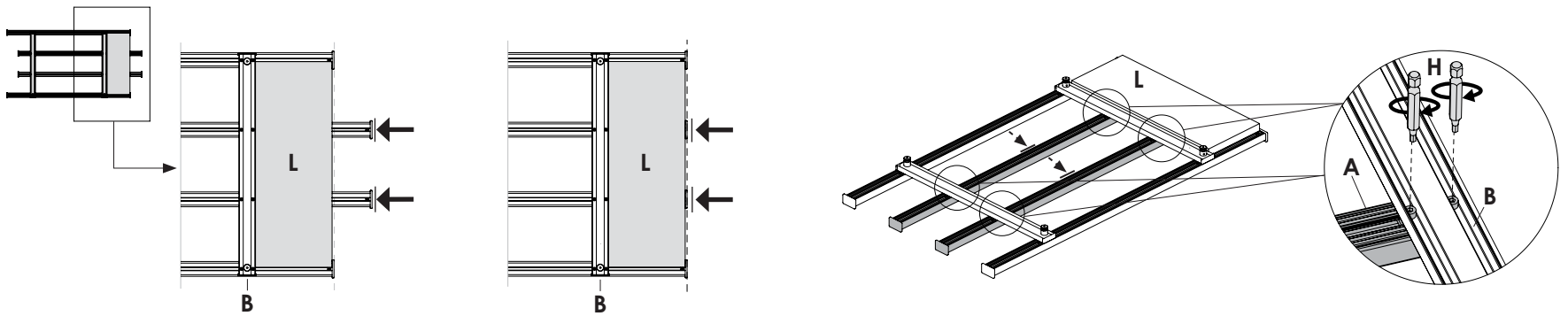
4

Secure corners of Vertical Bars



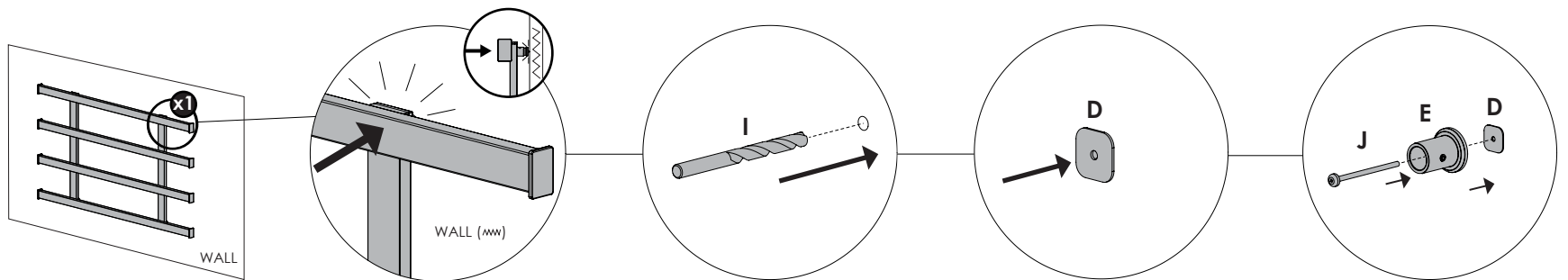
5

Tighten Horizontal Bars



6

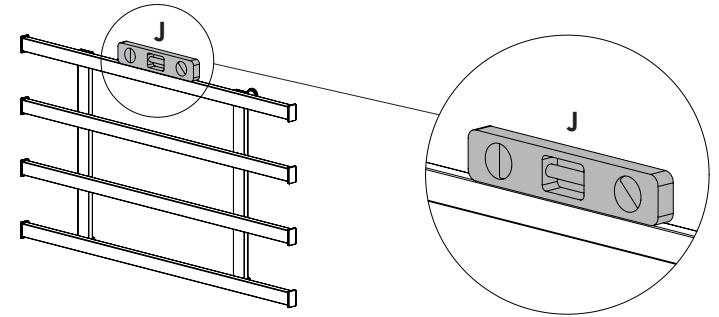
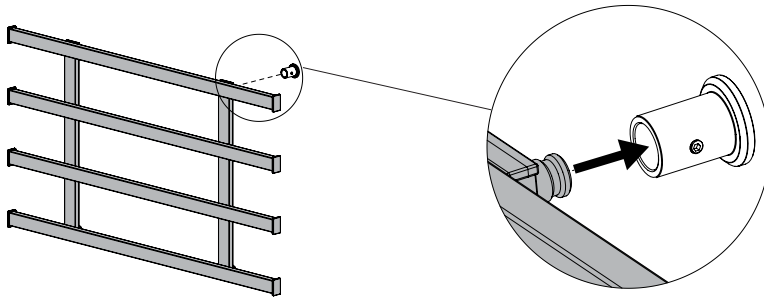
Mark ONLY top right corner



PART D: WALL INSTALLATION

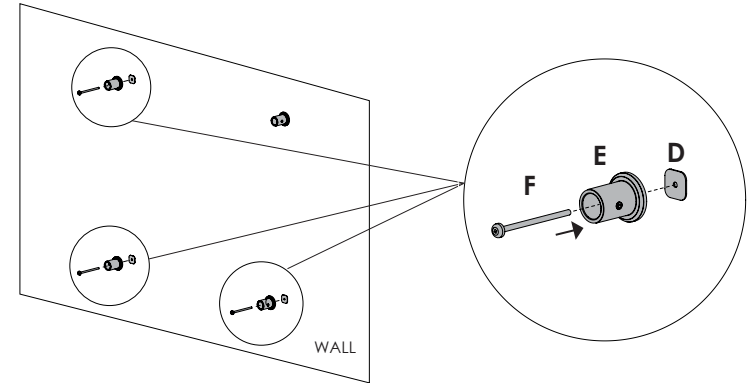
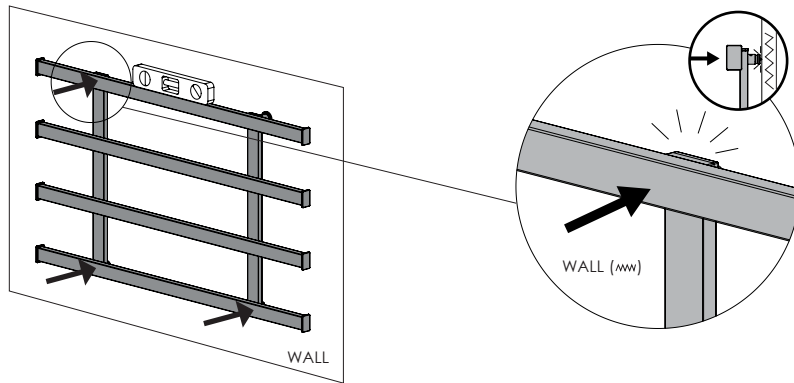
7

Position and level



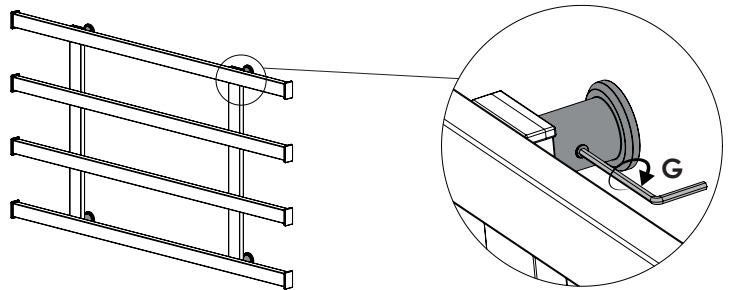
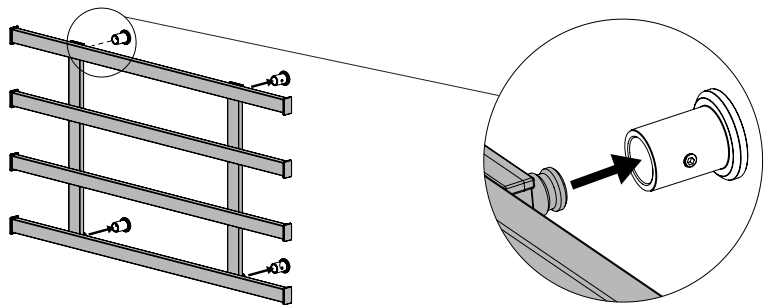
8

Mark & install remaining posts



9

Install and secure to complete

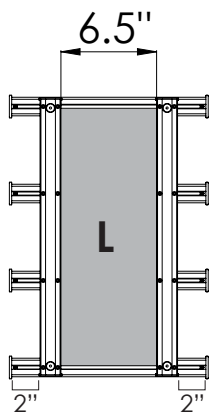


PART E: AVAILABLE SIZES & SUGGESTED CONFIGURATIONS

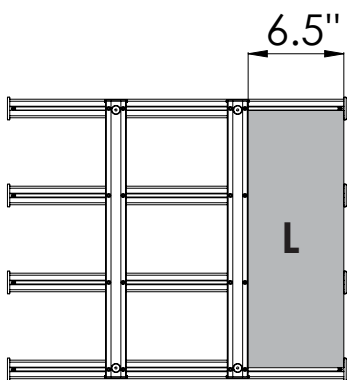
		HORIZONTAL BARS			
		13.5"	23"	35"	47"
VERTICALS	19"				
	42"				
	66"				

PART F: Jig L Positioning

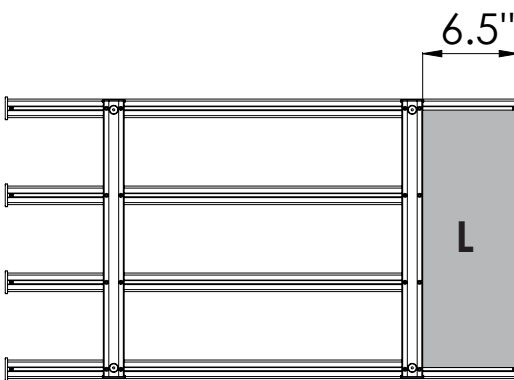
13.5"



23"



35"



47"

