



DT 750 DT 750 BLE

732.29.501 ZN 6.167.001.90b.



Installation and maintenance instructions - English2

**Table of contents**

1. Notes on these instructions	3
1.1 Contents and target group of these instructions	3
1.2 Obligations of the installer	3
1.3 Obligations of the operator	3
1.4 Exclusion of liability	3
2. Security	3
2.1 Safety notes and symbols in these instructions	3
2.2 Correct purpose of use	5
2.3 Incorrect purpose of use	5
2.4 Safety symbols	5
2.5 Obligations of the operator	5
2.6 Personnel requirements	6
2.7 Environmental protection	7
3. Safety notes and dangers	8
4. Installation requirements	8
4.1 Ambient conditions	8
4.2 Installation conditions	9
5. Check scope of delivery	10
6. Installation	10
6.1 Safety instructions for installation	10
6.2 Installation description	10
6.3 Function test	10
6.4 Maintenance instructions	11
7. Approval according to Part 15 of the FCC rules	12
8. Conformité selon Section 15 de la réglementation de la FCC	13

732.29.501

HDE 06/2019

1. Notes on these instructions

1.1 Contents and target group of these instructions

It is essential to pay attention to these installation and maintenance instructions in order to install the product successfully and safely. Please pay attention to all of the specified installation steps, instructions and notes!

These **installation and maintenance instructions** are intended for:

- the **operator** of the product
- the **installer** of the product

In addition to these **installation and maintenance instructions**, both groups of people must also have read the **separate operating instructions** before handling the product.

In case of use in software-controlled systems, separate instructions are enclosed with the relevant system components.

1.2 Obligations of the installer

The installer has the following obligations:

- All notes and specifications in the installation and maintenance instructions must be complied with. The installation steps must not be deviated from or varied.
- Only the supplied original parts must be installed.
- The installation and maintenance instructions must be handed to the operator after installation has taken place.

1.3 Obligations of the operator

The operator has the following obligations:

- The installation requirements must be adhered to.
- The product may only be installed and started up by qualified experts (see Chapter **"1.3 Personnel qualifications"** in the operating instructions).
- The installation and maintenance instructions must be kept until the product is disposed of, and handed to the new operator in the event of a change of operator.

1.4 Exclusion of liability

No liability is accepted for injuries or damage that is attributable to one or more of the following reasons:

- failure to read and/or follow the instructions
- abuse of the equipment
- omission of the emergency opening facility
- inadequately qualified/instructed personnel
- failure to use original replacement parts
- negligent handling of the product

2. Security

2.1 Safety notes and symbols in these instructions

Safety notes

Safety notes in these installation and maintenance instructions follow a uniform structure. They are introduced by a signal word that indicates the extent of the hazard. This is followed by the source of the danger and measures to avoid them.

The following risk levels are distinguished:

DANGER

This combination of symbol and signal word indicates an immediately dangerous situation causing death or serious injury if not avoided.

WARNING

This combination of symbol and signal word indicates a potentially dangerous situation that may cause death or serious injury if not avoided.



CAUTION

This combination of symbol and signal word indicates a potentially dangerous situation that may cause minor or light injury if not avoided.

NOTE

The note is used to point out dangerous situations which could lead to potential property damage/consequential damage to the product or damage to the environment.

Notes are also used to provide important additional information.

Safety notes in handling indications

Safety notes may relate to certain individual handling indications. Such safety notes are incorporated into the handling indication as to not interrupt the flow of reading when carrying out the action. The signal words described above are used.

Example:

1. Loosen screw.
2. Connect lead.

CAUTION



Risk of leads being trapped by the cover

Watch the position of the lead. Close cover carefully.

3. Tighten screws.

Special safety notes

To draw attention to special risks, the following symbols are used in the safety notes:

Warning sign	Type of risk
	Warning of dangerous electrical voltage
	Warning of a hazardous area



This symbol highlights useful tips and recommendations and information for efficient and problem-free operation.

Other markings

The following markings are used in these installation and maintenance instructions to highlight action instructions, results, lists, references and other elements:

1.>, 2.>, 3>	Step-by-step action instructions
⇒	Results of action steps
•	Lists without a defined order
[push button]	Controls (e.g. push buttons, switches), display elements (e.g. signal lamps)

2.2 Correct purpose of use**Correct purpose of use**

The product is a battery operated electronic door fitting for use in hotels, hospitals and other buildings with frequent changes of room occupant.

The operator must equip the relevant doors with a single profile cylinder for emergency opening in the event of faults or emergencies.

The product is intended for the following areas of application:

- Use on room doors inside buildings
- Use on doors that comply with the specified installation requirements

Correct purpose of use also includes adhering to the manufacturer's operating, service and maintenance conditions.

Correct purpose of use also includes observing all specifications contained in these installation and maintenance instructions.

Any use beyond or other than the correct purpose of use shall be deemed improper use.

2.3 Incorrect purpose of use

Any use that is not mentioned in chapter "2.2 Correct purpose of use" is considered to be improper. The operator is solely responsible for any resulting damage. It is particularly important to avoid the following:

- Use without emergency opening facility
- Use in vicinity of electromagnetically sensitive devices
- Use in potentially explosive environments
- Use outdoors and in damp environments
- Use in aggressive (e.g. salt- or chlorine containing) environment
- Use of defective or damaged components
- Use of non-original parts
- Omitting components during installation
- Changes of the installation order
- Modification to the product
- Repairs to the product

2.4 Safety symbols

The following stickers are located on one or more components of the access control system. They relate to the immediate environment of where they are located.

Crossed-out dustbin

This image indicates that the respective component must not be disposed of with residential waste.

2.5 Obligations of the operator

Operator is the person who operates the access control system for commercial or economic purposes or allows a third party to use the access control system and thus bears the legal product responsibility for the protection of the user, the personnel, or third parties during operation.

Operator's obligations

The access control system is commonly used in the commercial sector. The operator of the access control system is therefore subject to statutory occupational safety obligations.

In addition to the safety notes in these installation and maintenance instructions, safety, work safety, and environmental regulations valid for the area of application of the access control system must be followed.



Here, in particular:

- The operator must ensure that escape routes and emergency exit doors are accessible for all people in case of danger.
- The operator must be aware of the applicable occupational safety regulations and determine other hazards in a hazard assessment that may arise from the special working conditions at the place of use of the access control system. The safety regulations must be implemented for the operation of the access control system in the form of operating instructions.
- During the entire operating time of the access control system, the operator must verify that the operating instructions created correspond to the current state of the regulations and, if necessary, adapt them.
- The operator must clearly regulate and specify the responsibilities for installation, operation, troubleshooting, maintenance, and cleaning.
- The operator must ensure that all persons handling the access control system have read and understood these installation and maintenance instructions. In addition, the operator must train the personnel at regular intervals and inform them about the risks.

Furthermore, the operator is responsible for ensuring that the access control system is always in perfect technical condition. The following therefore applies:

- The operator must ensure that the maintenance intervals specified in these installation and maintenance instructions are followed.
- The operator must have all safety devices inspected regularly for function and completeness.

NOTE

Warning of abuse

Unauthorized persons can gain access to rooms using the programming and clearing keys.

- > Only personnel who are authorized by the operator may allocate locking authorizations.
- > Take care when allocating locking authorizations to avoid overlapping or mistakes.
- > Keep programming and clearing keys in a safe place and protect from abuse.
- > It must be ensured that the Dialock server and the network are protected from malware attacks by suitable virus protection programs in order to rule out manipulation of the offline terminals.

2.6 Personnel requirements

These installation and maintenance instructions describe the qualifications listed below for the personnel for the various work areas:

Qualified electrician

Qualified electricians are capable of working on electrical systems and recognize potential hazards and avoid them due to their professional training, knowledge, experience as well as knowledge of pertinent standards and provisions.

Qualified electricians have been specifically trained for the working environment in which they operate and know the relevant standards and regulations.

Essential requirements

Only those persons are authorized as personnel who can be expected to carry out their work reliably.

Persons whose ability to react is affected by, e.g., drugs, alcohol, or medication are not permitted to operate the system.

In the selection of personnel, observe appropriate training as well as the applicable occupation-specific regulations.

Unauthorized persons**WARNING****Danger to life for unauthorized persons due to hazards in the danger zone and working area.**

Unauthorized persons who do not meet the requirements described herein will not be aware of the occupational hazards. Therefore, unauthorized persons are subject to risks of serious injury or death.

- Keep unauthorized persons away from the danger zone and working area.
- When in doubt, approach persons and have them clear the danger zone and working area.
- Interrupt the work until unauthorized persons have left the danger zone and working area.

2.7 Environmental protection**NOTE****Risk to the environment due to improper handling of environmentally hazardous substances.**

Improper handling of environmentally hazardous substances, particularly improper disposal, can cause significant damage to the environment.

- Always follow the notes below for handling environmentally hazardous substances and their disposal.
- If environmentally hazardous substances are accidentally released into the environment, immediately take appropriate action. When in doubt, notify the appropriate local authority of the damage and check for appropriate measures to be taken.

The following environmentally hazardous substances are used:**Batteries**

Batteries contain toxic heavy metals. They are subject to special waste treatment and must be handed into municipal collection points or disposed of by a specialist company.

Electric and electronic components

Electric and electronic components may contain toxic materials. These components must be collected separately and be deposited at municipal collection points or disposed of by a specialist company.



3. Safety notes and dangers

The product has been built in accordance with the latest state of technology and the recognised technical safety regulations. Nevertheless, danger to persons or damage to product or other property could occur during installation and use.

WARNING

Risk of fatality due to lack of emergency opening facility

If the product is installed without an emergency opening facility, it may not be possible to open the door from the outside in the event of fault. If emergencies occur inside the room during the fault, rescue work will be hindered.

- > The operator must ensure that doors to which this product is fitted have an emergency opening facility in the event of faults.
- > Häfele is not liable for damage that is attributable to failure to install an emergency opening facility.

WARNING

Risk of fatality due to failures or faults in electromagnetically sensitive devices

The electromagnetic radiation of the product can cause faults in sensitive parts (e.g. in medical equipment).

The functionality thereof will be adversely affected.

- > Do not place product close to electromagnetically sensitive devices.
- > Pay attention to the safety instructions for the electromagnetically sensitive devices.
- > If you have any doubts regarding compatibility, please contact the manufacturer.

WARNING

Danger in case of improper use

Improper use of the product can result in dangerous situations.

- > Never use the product in potentially explosive areas.
- > Never use the product under any other than the approved ambient conditions.

4. Installation requirements

4.1 Ambient conditions

In addition to the ambient conditions specified here, the instructions in the chapter entitled “**2.1 Correct purpose of use**” in the operating instructions also apply.

NOTE

The product may be damaged if it is installed under the wrong ambient conditions

Please note the following with regard to product installation:

- > Do not attach to external doors.
- > Do not install in damp environments.
- > Do not install in the vicinity of electromagnetically sensitive devices.
- > Do not install in potentially explosive environments.

NOTE**The product can be damaged by condensed water on cold components**

- > Before installation, please ensure that all product components are at the ambient temperature.
- > Store products at the installation site for an appropriate period prior to installation.

4.2 Installation conditions**Door leaf**

- Possible door leaf thicknesses: 1¾" - 3¾" (45 - 95 mm)
- Possible door materials: Wood and wood material

NOTE

Installation on metal doors is generally possible. However, the metal surroundings (doors, frames, etc.) may have an adverse effect on the terminal function. We therefore recommend a sample installation.

mortice

- The mortise must be present, and must comply with the dimensioned drawing "**Installation requirements**" on **page 16**.

Suitable single profile cylinder for emergency opening

- The single profile cylinder for emergency opening is not included in the scope of delivery and must be ordered separately by the operator.
- The size of the single profile cylinder depends on the door leaf thickness.
- For help in calculating the length, see figure 8 on **page 22**.

NOTE**The product may be damaged if the single profile cylinder is used incorrectly**

The single profile cylinder is for emergency opening only.

- > Do not use the single profile cylinder for normal door locking / unlocking.

NOTE

Only use the specified lever handles. Otherwise, approval as well as liability and warranty claims will be invalidated.



5. Check scope of delivery

WARNING

Risk of suffocation from small parts and packing materials

Screws, small parts and packaging materials can be deadly playthings for children.

- > Do not leave the packing materials and the contents lying around carelessly, and keep away from children and babies.
- > Keep children away from the installation site during installation.

- Check completeness and condition of scope of delivery prior to installation.



For overview of scope of delivery, see illustrations starting on page 15.

- If parts are missing or damaged, contact the manufacturer.
- Dispose of packaging materials in accordance with national regulations.

6. Installation

6.1 Safety instructions for installation

NOTE

In the case of fire resistant doors, it is essential to ensure that the drill hole of the profile cylinder is closed (otherwise flames will penetrate).

Only a profile cylinder (for emergency opening) or blind cylinder with fire protection approval must be used.

NOTE

Damage to product due to incorrect installation

- > Adhere to installation requirements.
- > Do not trap or damage wires during installation.
- > Never start up and use the product if any wires have been damaged.
- > Always drill holes in the door leaf from both sides to prevent pieces of the door from breaking away.

6.2 Installation description

The installation is described in pictures.



For step-by-step installation instructions, see picture section starting on page 15.

6.3 Function test

After completing installation, perform a manual function test.

Push the lever handle at the inside of the door:

Correct result:

- Latch bolt is pulled back (escape function).
- Door can always be opened.

Push the lever handle at the outside of the door:

Correct result:

- The lever handle is blocked. The door cannot be opened.

If this is not the case, check the individual installation steps.

NOTE**Malfunction due to outdated Dialock firmware.**

To ensure that the current Dialock firmware is running on the terminal, the device has to be flashed (programmed) using the mobile programming unit (MDU) during start-up. In case of questions concerning the firmware version or the procedure please contact Häfele.



BLE = Bluetooth Low Energy

Products that are equipped with BLE can also be operated via smartphone (Android/IOS) with a suitable app. In case of questions concerning smartphone applications please contact Häfele.

6.4 Maintenance instructions

In order to ensure that the equipment is usable in accordance with this document, the following routine maintenance checks must be carried out at intervals of no more than one month:

- Inspection and actuation of the panic exit device in order to ensure that all components of the lock are in a satisfactory operating condition.
- The actuation force for releasing the panic exit device must be measured using a dynamometer and recorded.
- It must be ensured that the locking counterpieces (striking plates) are not blocked or clogged up.
- It must be checked whether the panic exit device has been greased in accordance with the manufacturer's instructions.
- It must be checked that no additional locking devices have been attached to the door.
- It must be checked at regular intervals whether all components of the system still correspond with the list of permissible components that were originally delivered with the system.
- It must be checked at regular intervals whether the operating element has been correctly tightened, and the actuation force for releasing the panic exit device must be measured using a dynamometer. It must be checked whether the actuation force has undergone a major change in comparison with the operating force recorded during the initial installation.



7. Approval according to Part 15 of the FCC rules

NOTE: This equipment has been tested and found to comply with the limits for a Class B digital device, pursuant to Part 15 of the FCC Rules. These limits are designed to provide reasonable protection against harmful interference in a residential installation. This equipment generates, uses and can radiate radio frequency energy and, if not installed and used in accordance with the instructions, may cause harmful interference to radio communications. However, there is no guarantee that interference will not occur in a particular installation. If this equipment does cause harmful interference to radio or television reception, which can be determined by turning the equipment off and on, the user is encouraged to try to correct the interference by one or more of the following measures:

- Reorient or relocate the receiving antenna.
- Increase the separation between the equipment and receiver.
- Connect the equipment into an outlet on a circuit different from that to which the receiver is connected.
- Consult the dealer or an experienced radio / TV technician for help.

NOTICE

This device complies with Part 15 of the FCC Rules [and with Industry Canada licence-exempt RSS standard(s)].

Operation is subject to the following two conditions:

- (1) this device may not cause harmful interference, and
- (2) this device must accept any interference received, including interference that may cause undesired operation.

NOTICE

Changes or modifications made to this equipment not expressly approved by Häfele may void the FCC authorization to operate this equipment.

NOTE

Le présent appareil est conforme aux CNR d'Industrie Canada applicables aux appareils radio exempts de licence. L'exploitation est autorisée aux deux conditions suivantes:

- (1) l'appareil ne doit pas produire de brouillage, et
- (2) l'appareil doit accepter tout brouillage radioélectrique subi, même si le brouillage est susceptible d'en compromettre le fonctionnement.

8. Conformité selon Section 15 de la réglementation de la FCC

REMARQUE : Cet appareil a été testé et entre dans la catégorie des appareils numériques de Classe B, selon la Section 15 de la réglementation de la FCC. Ces limites ont été conçues pour apporter une protection raisonnable aux installations domestiques contre les interférences néfastes. Cet appareil génère, utilise et émet de l'énergie sous forme de fréquences radio et, en cas de non-respect des instructions d'installation et d'utilisation, risque de provoquer des interférences radio nuisibles. Il n'existe aucune garantie que les interférences ne se produiront pas dans une installation particulière. Si cet appareil cause des interférences radio ou télévisuelles nuisibles, pouvant être vérifiées en allumant, puis en éteignant l'équipement, l'utilisateur est invité à essayer de résoudre le problème de l'une des façons suivantes :

- Réorienter ou déplacer l'antenne de réception.
- Éloigner l'appareil du poste de réception.
- Brancher l'appareil sur une prise électrique appartenant à un circuit différent de celui du récepteur.
- Demander de l'aide auprès du revendeur ou d'un technicien radio/TV expérimenté.

NOTE

Cet appareil est conforme à la Section 15 de la réglementation de la FCC [et aux CNR d'Industrie Canada applicables aux appareils radio exempts de licence].

L'exploitation est autorisée aux deux conditions suivantes :

- (1) l'appareil ne doit pas produire d'interférences nuisibles, et
- (2) l'appareil doit accepter toute interférence subie, même les interférences susceptibles de compromettre le fonctionnement.

NOTE

Les modifications ou changements effectués sur cet appareil, sans l'approbation expresse de Häfele, peuvent annuler l'autorisation FCC d'exploitation de cet appareil.

NOTE

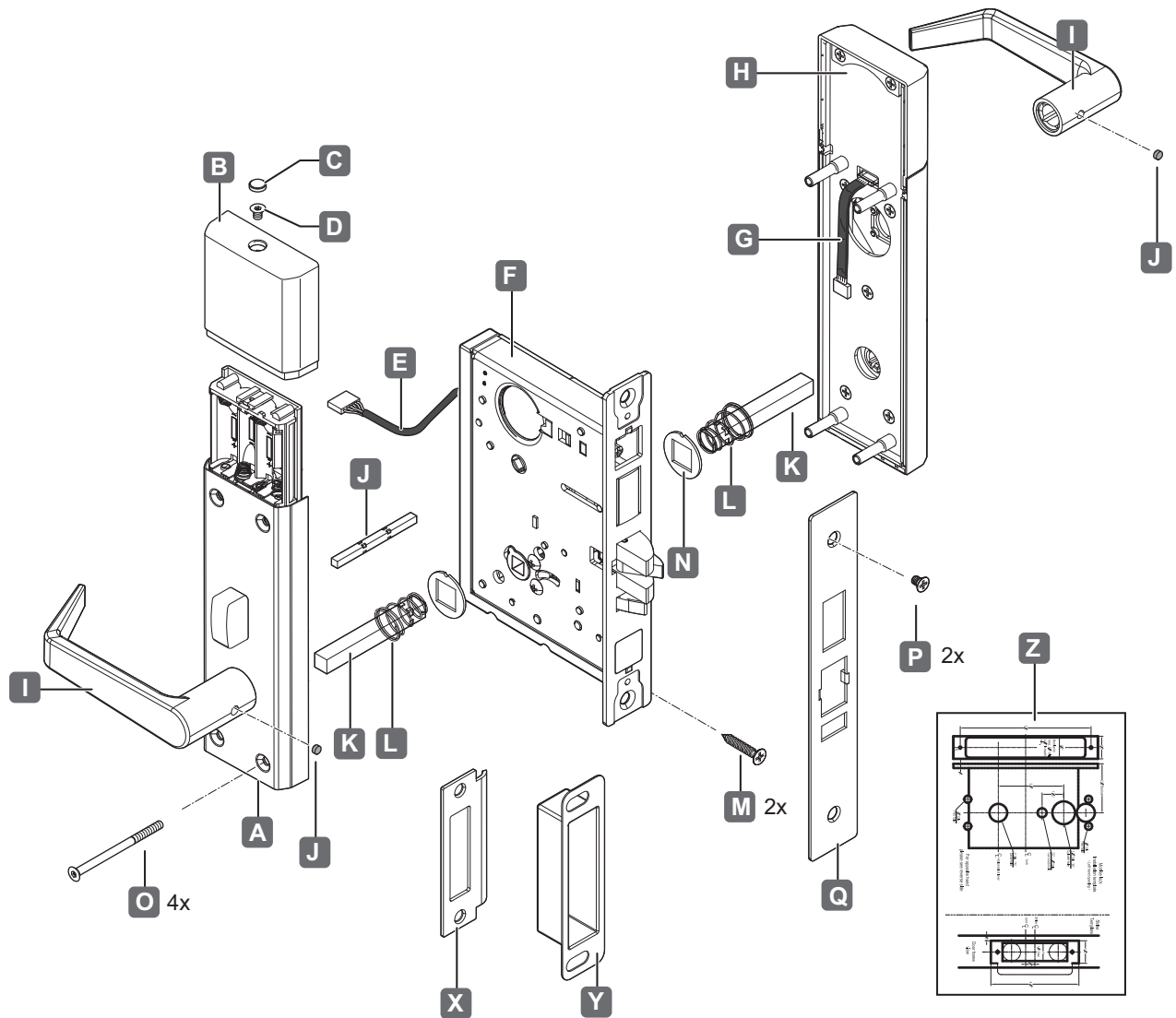
Le présent appareil est conforme aux CNR d'Industrie Canada applicables aux appareils radio exempts de licence. L'exploitation est autorisée aux deux conditions suivantes:

- (1) l'appareil ne doit pas produire de brouillage, et
- (2) l'appareil doit accepter tout brouillage radioélectrique subi, même si le brouillage est susceptible d'en compromettre le fonctionnement.





„mm“



Index Description

- A Interior Module
- B Battery Cover
- C Screw Cover
- D Battery Compartment Screw
- E Mortise Lock Cabel
- F Mortise Lock
- G Antenna Cabel
- H Exterior Module
- I Lever Handle
- J Grub Screw
- K Square Spindle
- L Spring for Square Spindle
- M Mounting Screw for Mortise

Index Description

- N Plate for Square Spindle
- O Mounting Screw Interior Modul
- P Forend Screw
- Q Forend Plate
- R Drill Sleeve
- S Drill D13
- T Drill D9
- U Drill Template
- V Cylinder
- W Batteries
- X Strike Plate
- Y Strike Plate Box
- Z Paper Drill Template

732.29.501

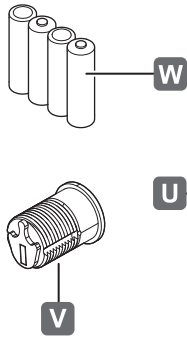
HDE 06/2019



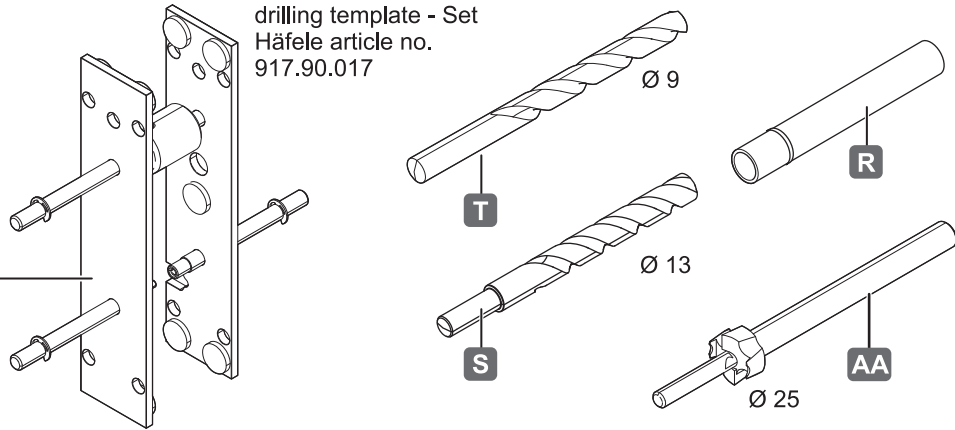
OPTIONAL



batteries
Häfele article no.
910.54.980



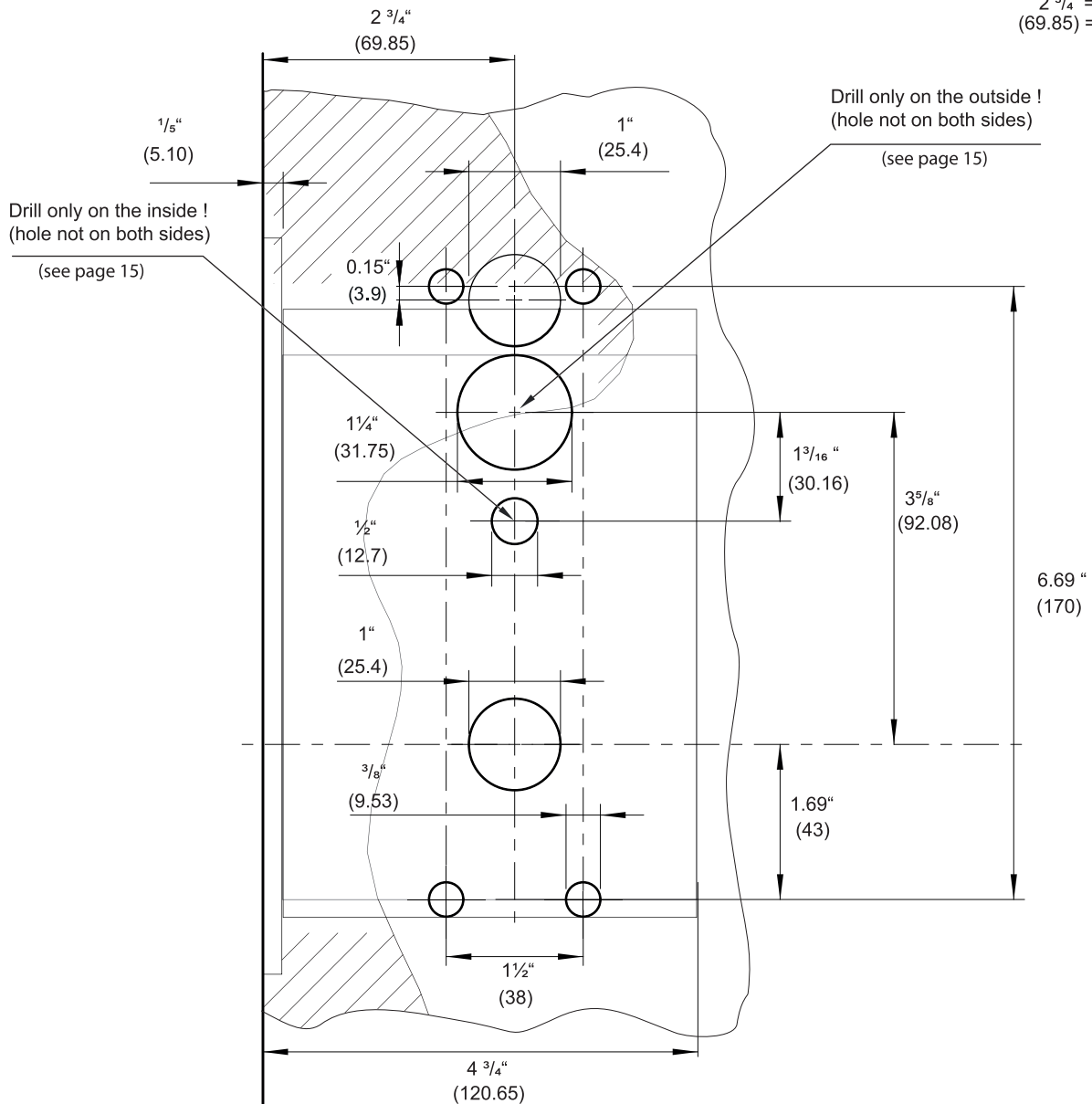
drilling template - Set
Häfele article no.
917.90.017



i



$2 \frac{3}{4}$ = inch
(69.85) = mm



732.29.501

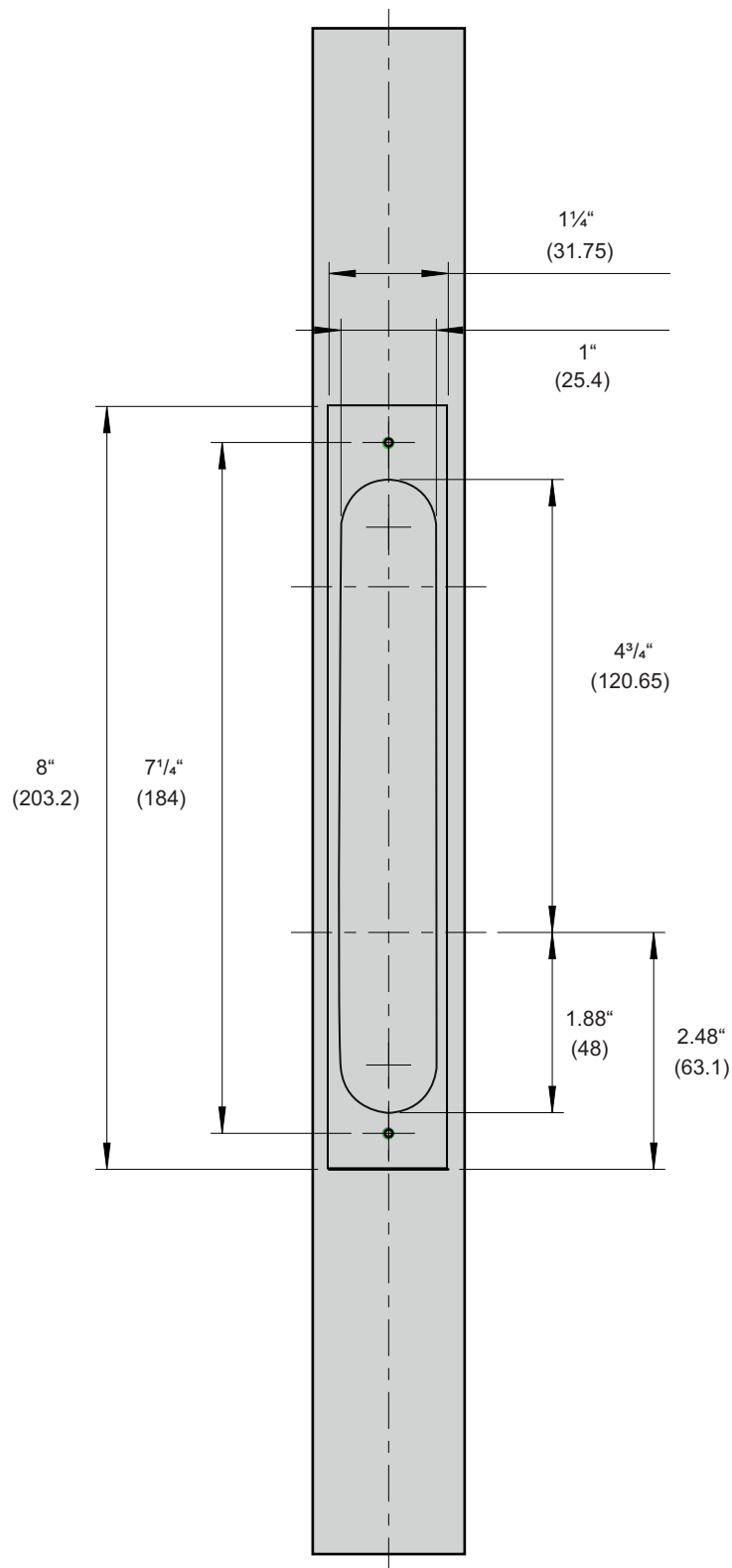
HDE 06/2019



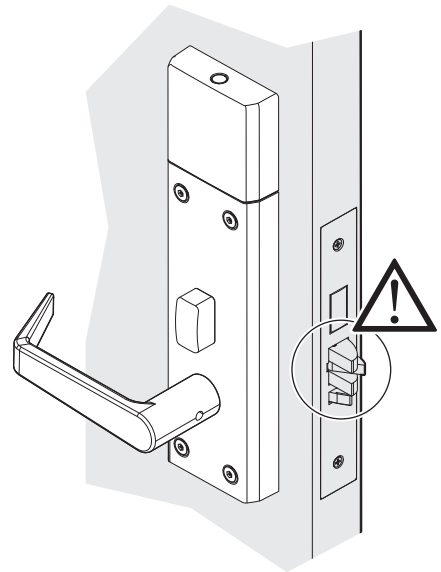
i



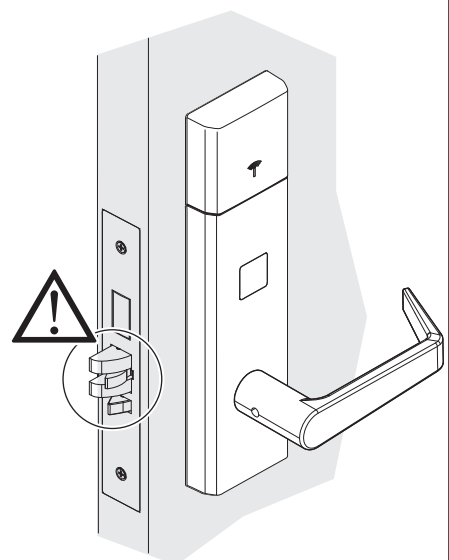
2 3/4" = inch
(69.85) = mm



inside



outside



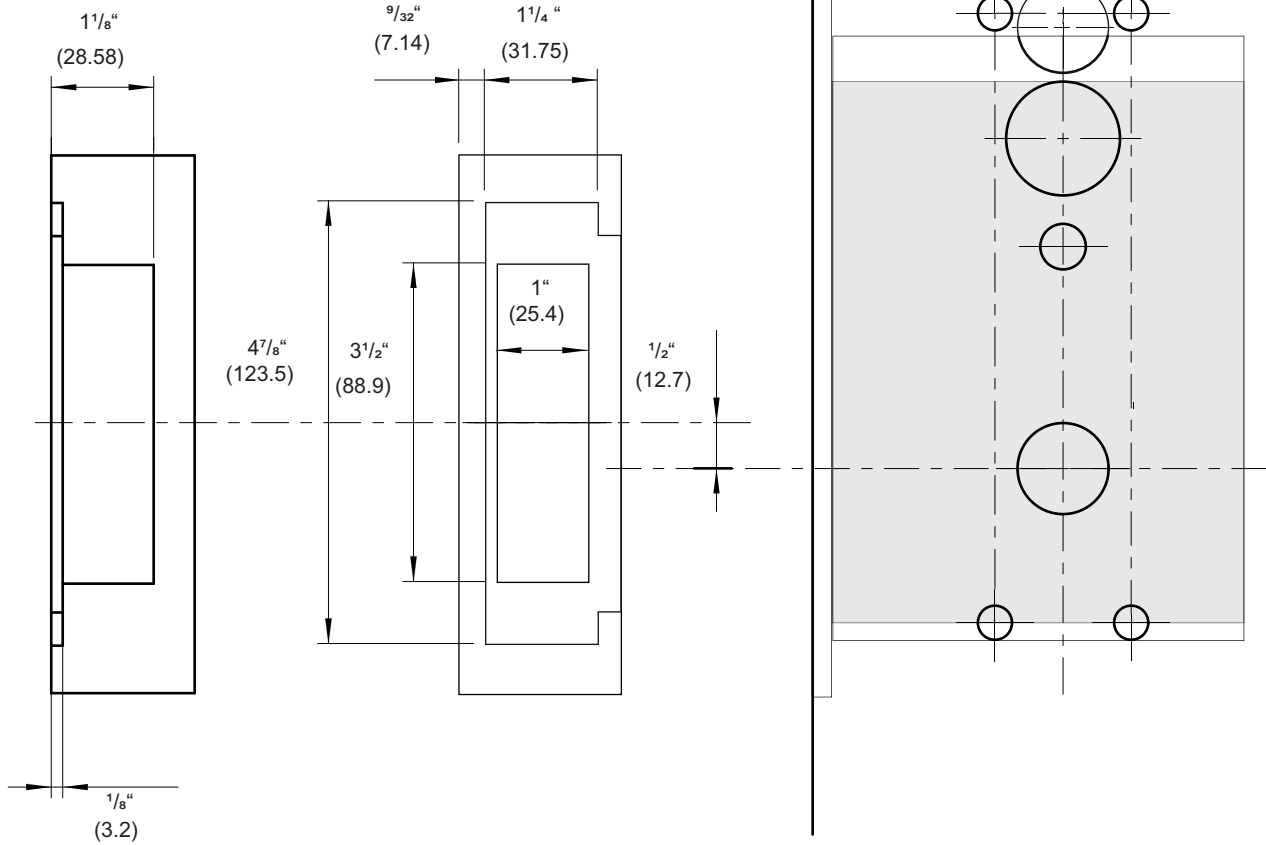
732.29.501

HDE 06/2019

i

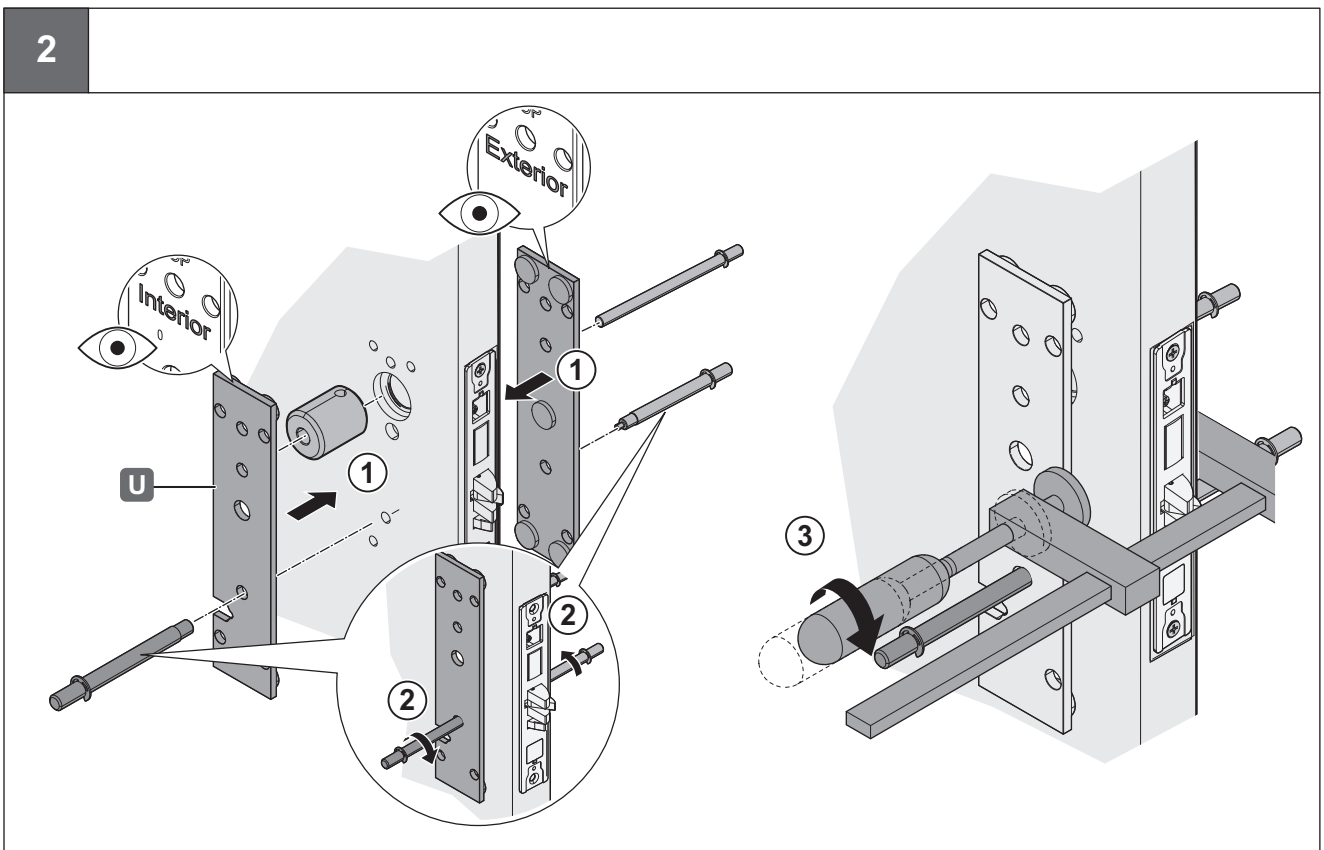
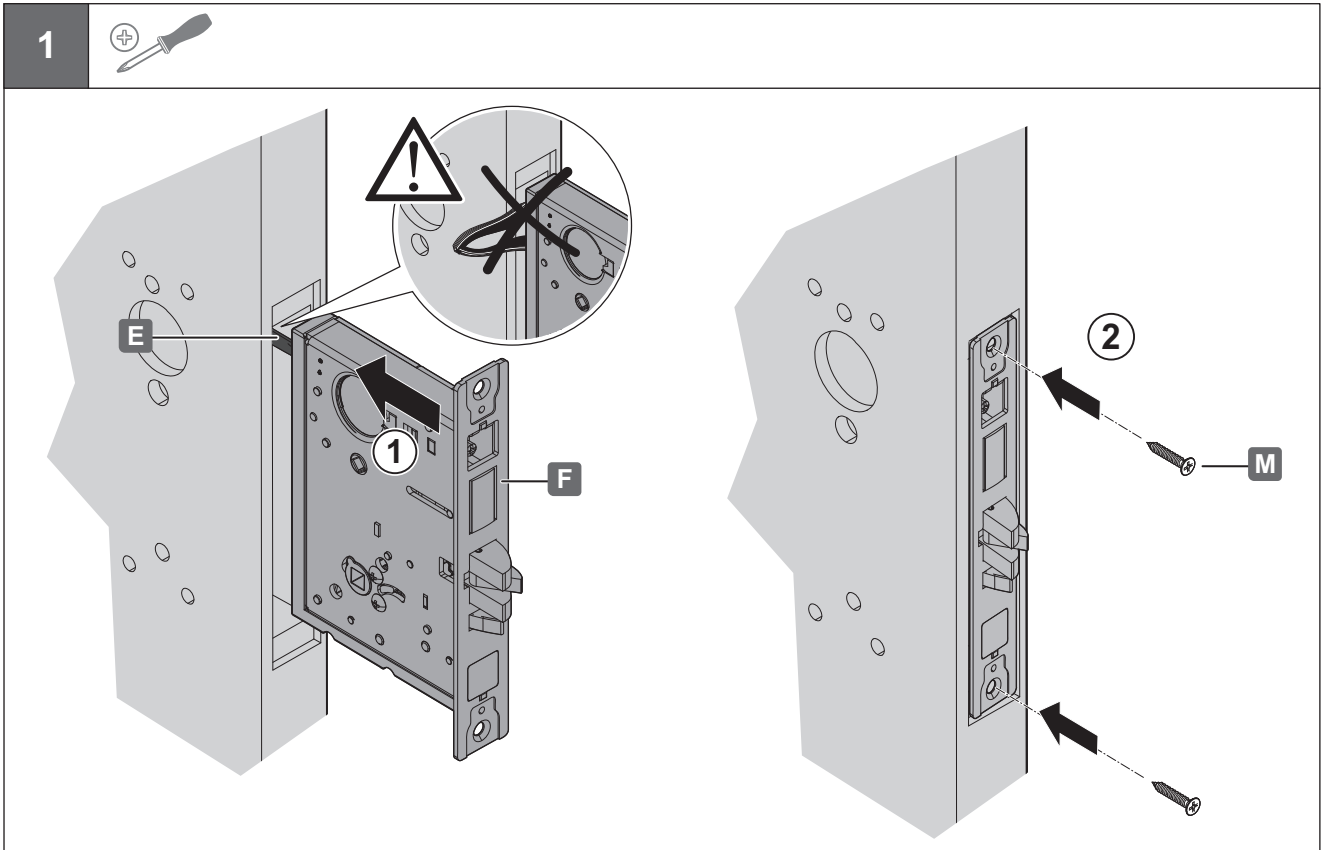


$2 \frac{3}{4}$ = inch
 (69.85) = mm



732.29.501

HDE 06/2019



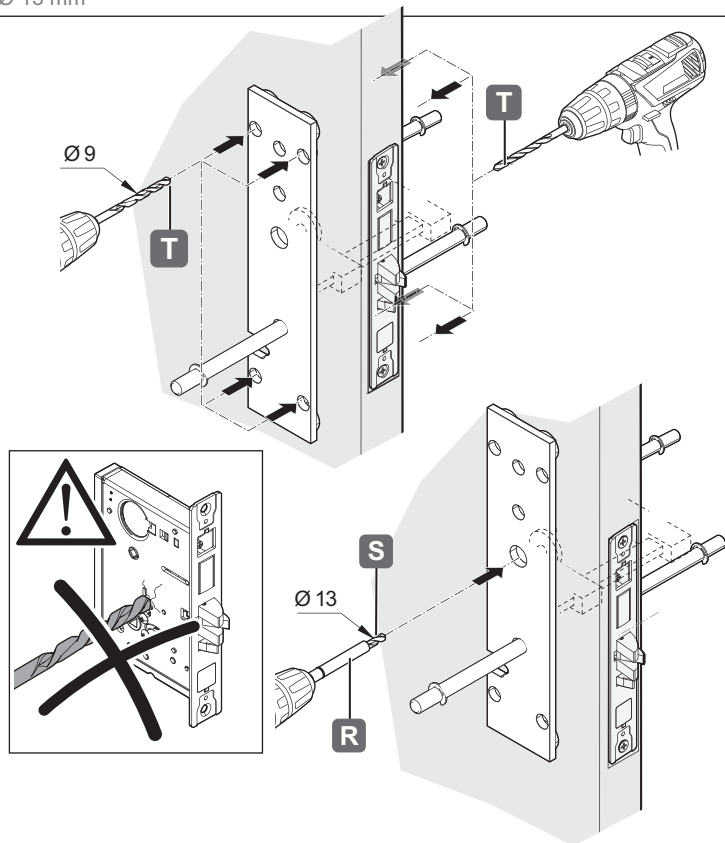
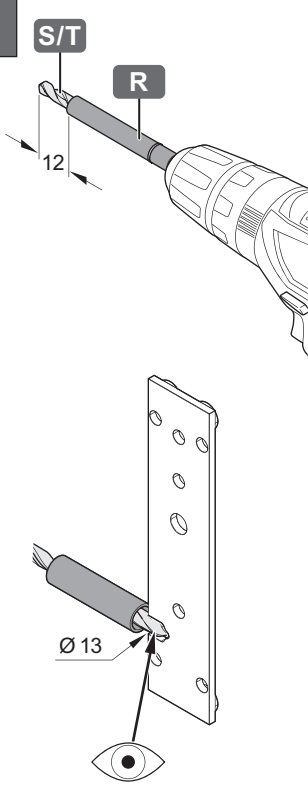
732.29.501

HDE 06/2019

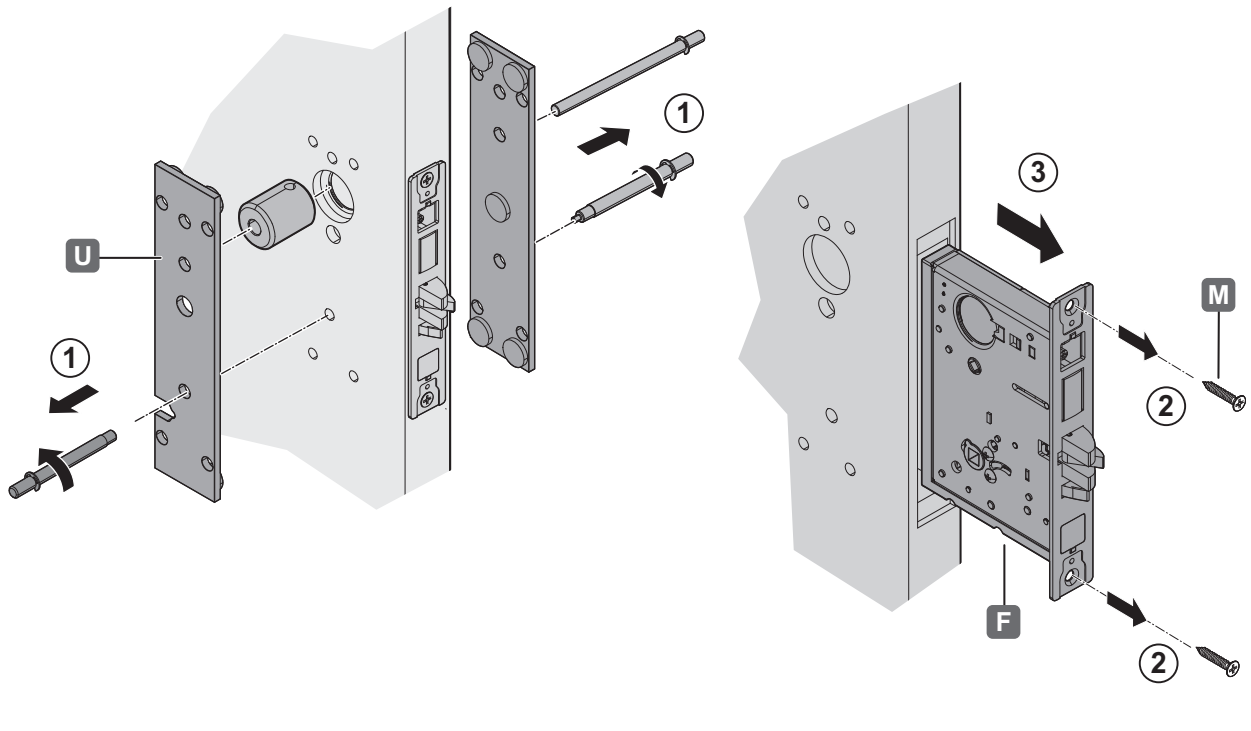
3



i



4

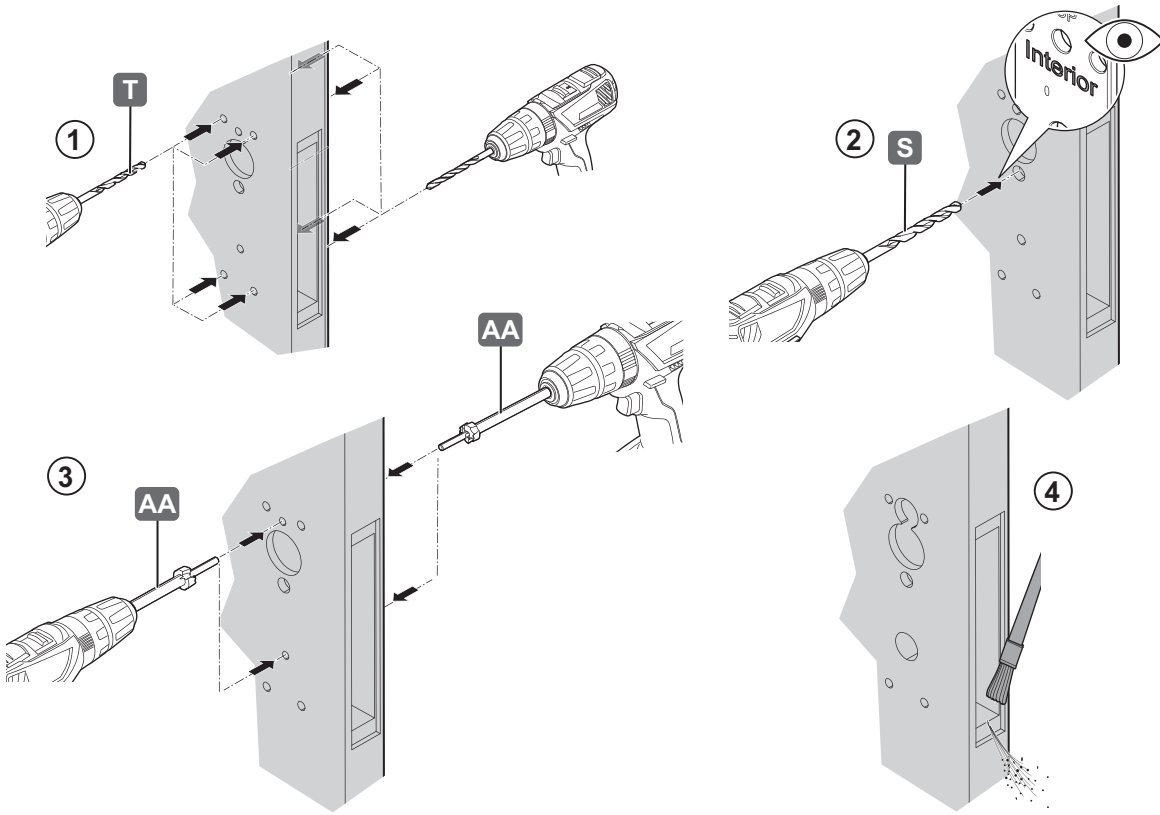


732.29.501

HDE 06/2019

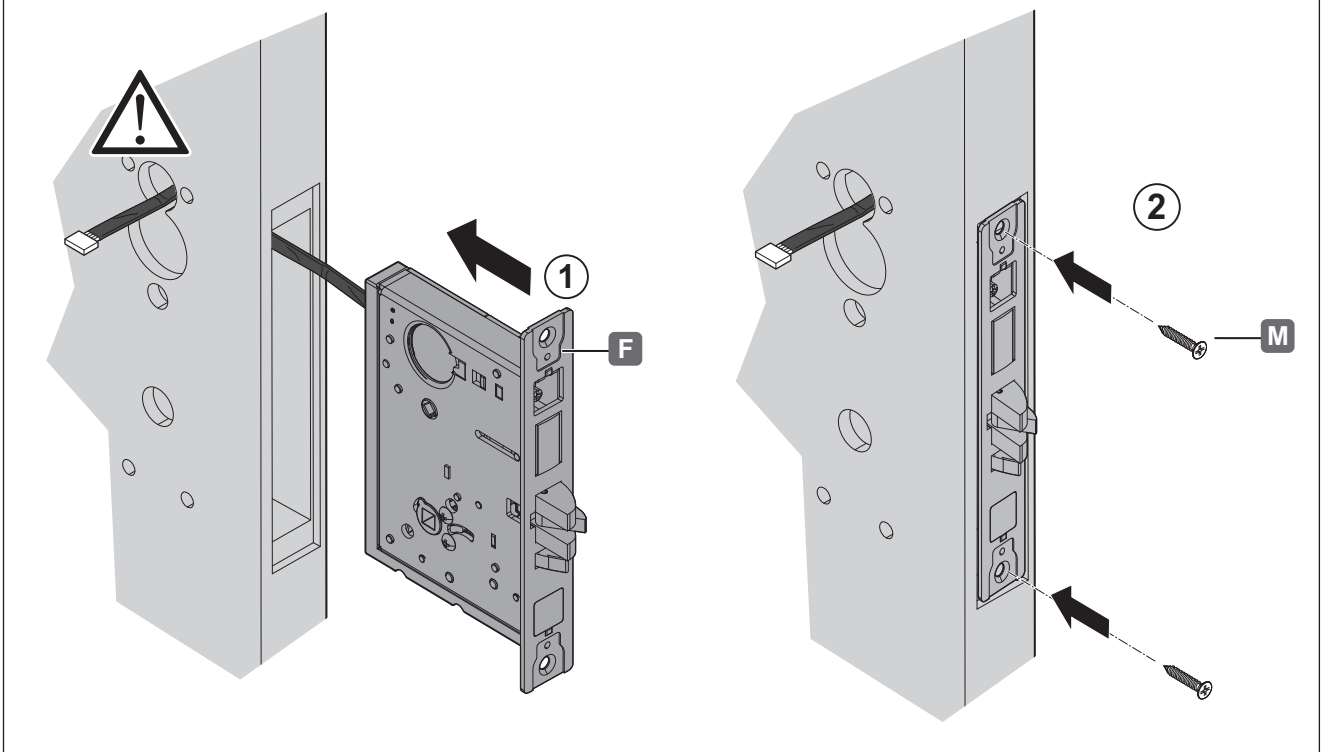


5



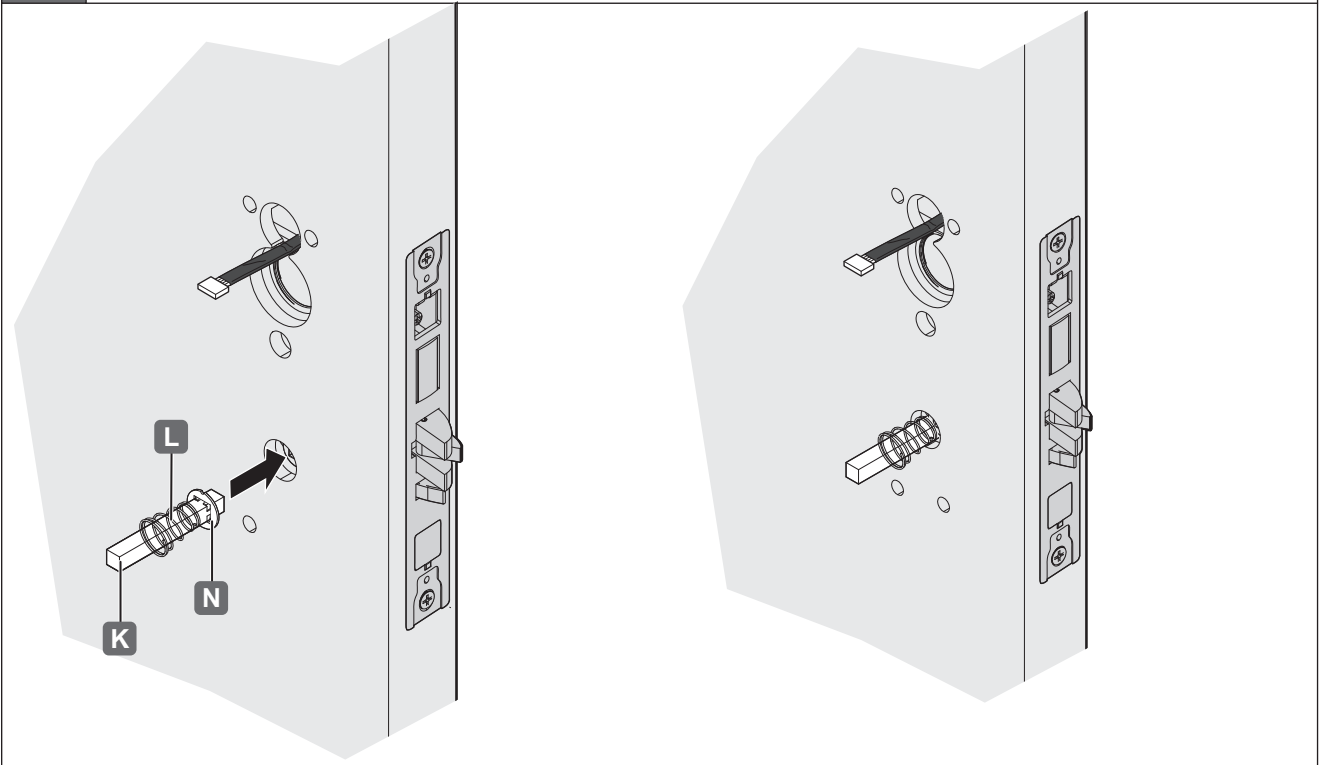
732.29.501

6



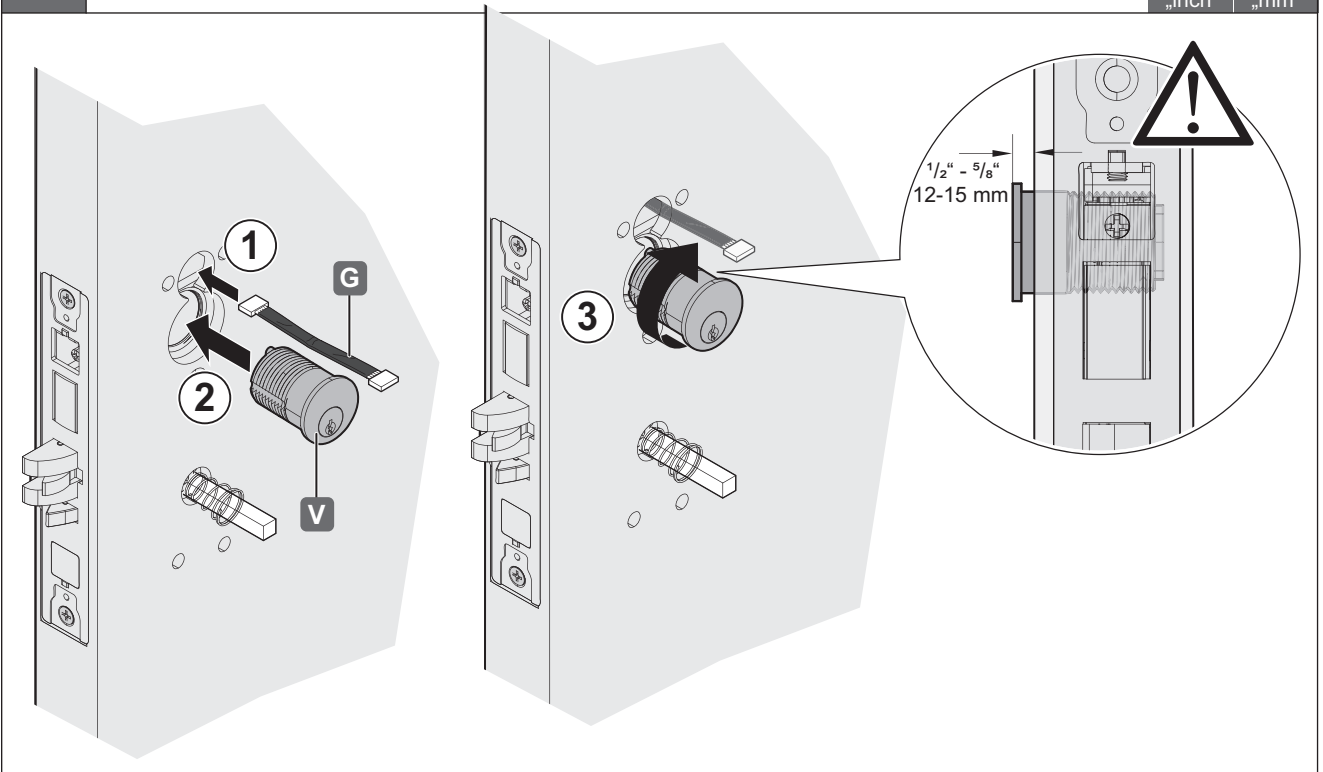
HDE 06/2019

7



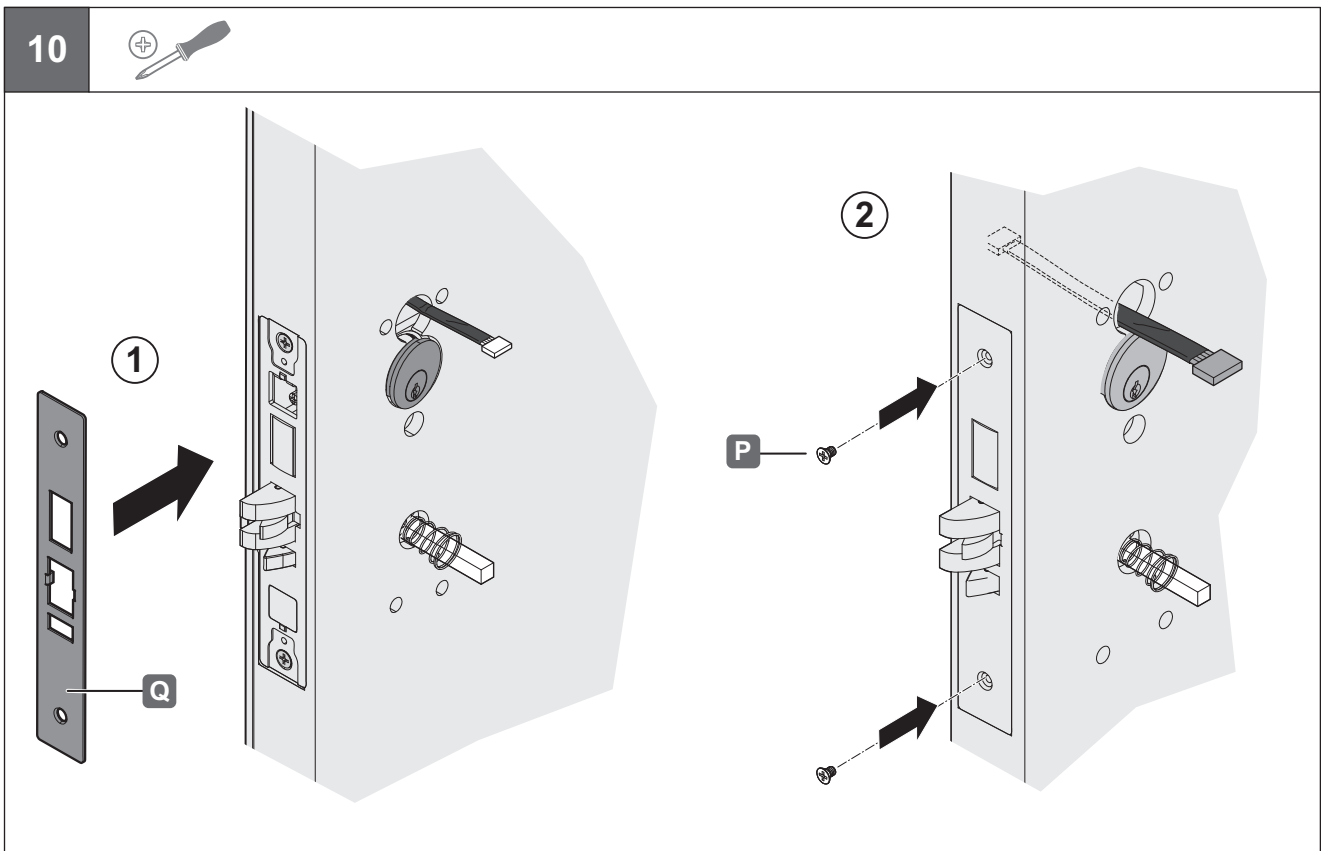
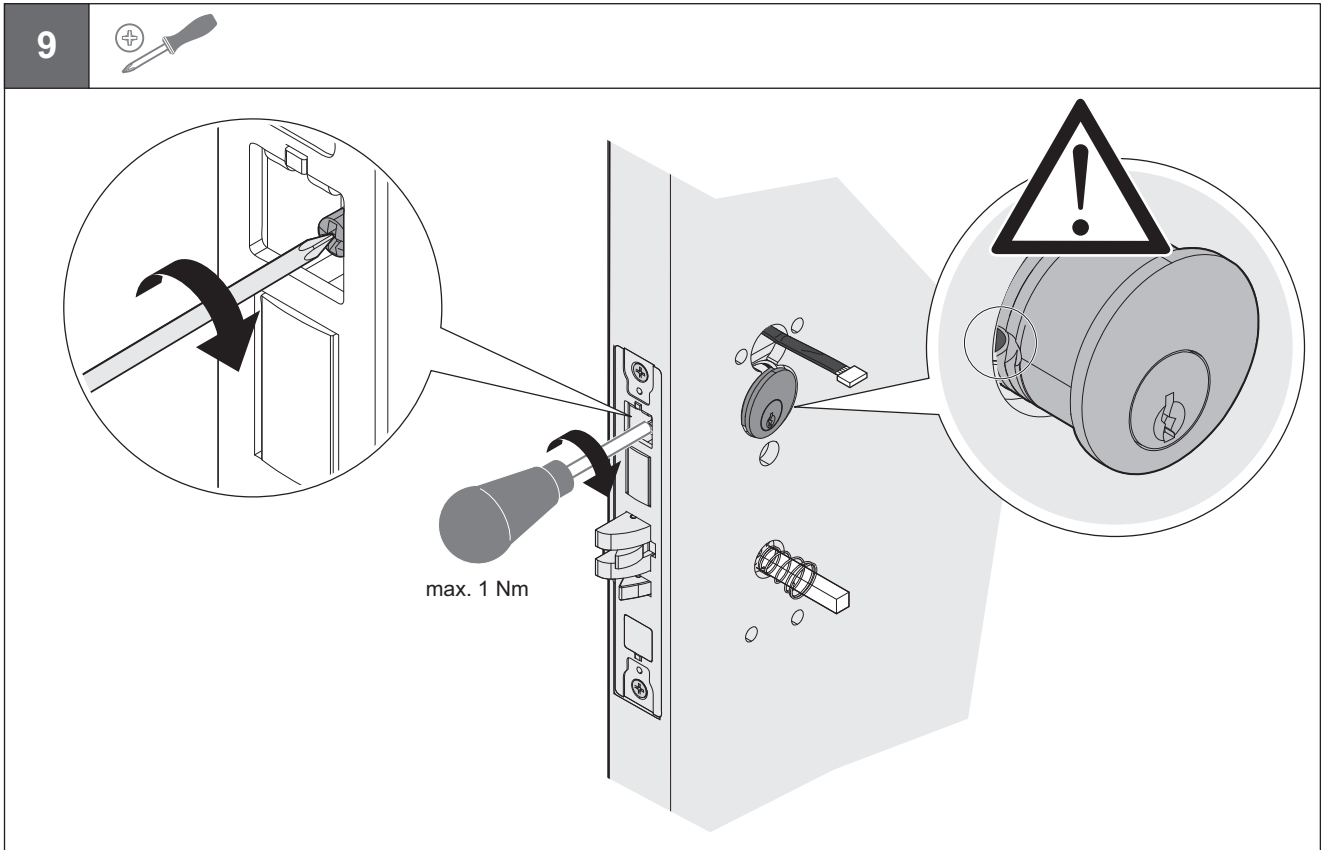
8

inch mm



732.29.501

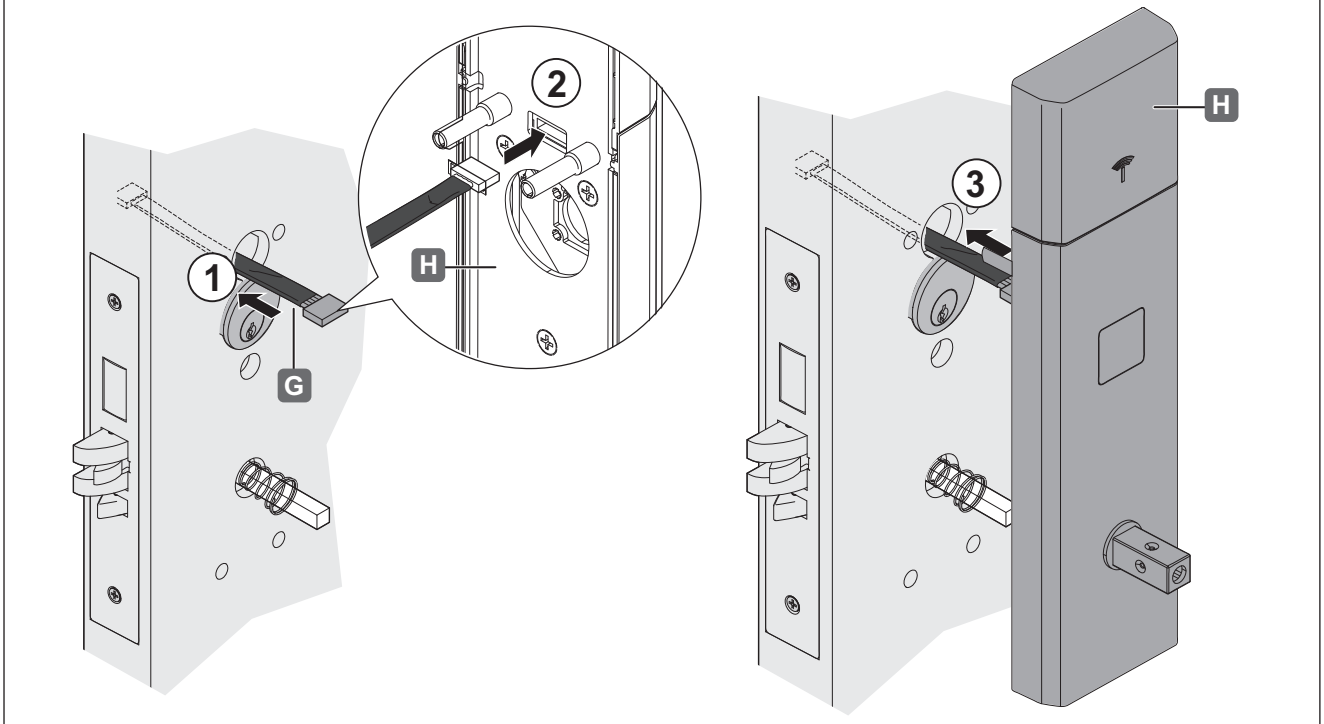
HDE 06/2019



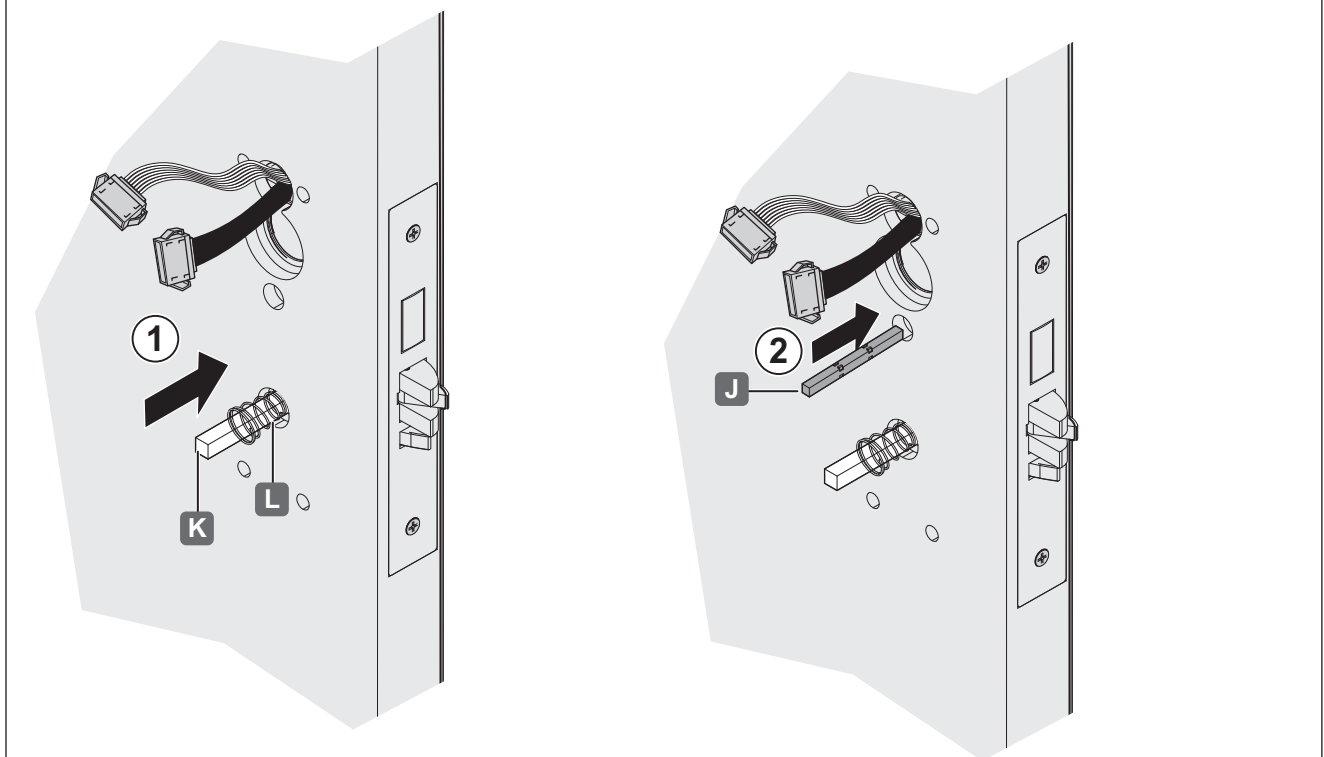
732.29.501

HDE 06/2019

11



12

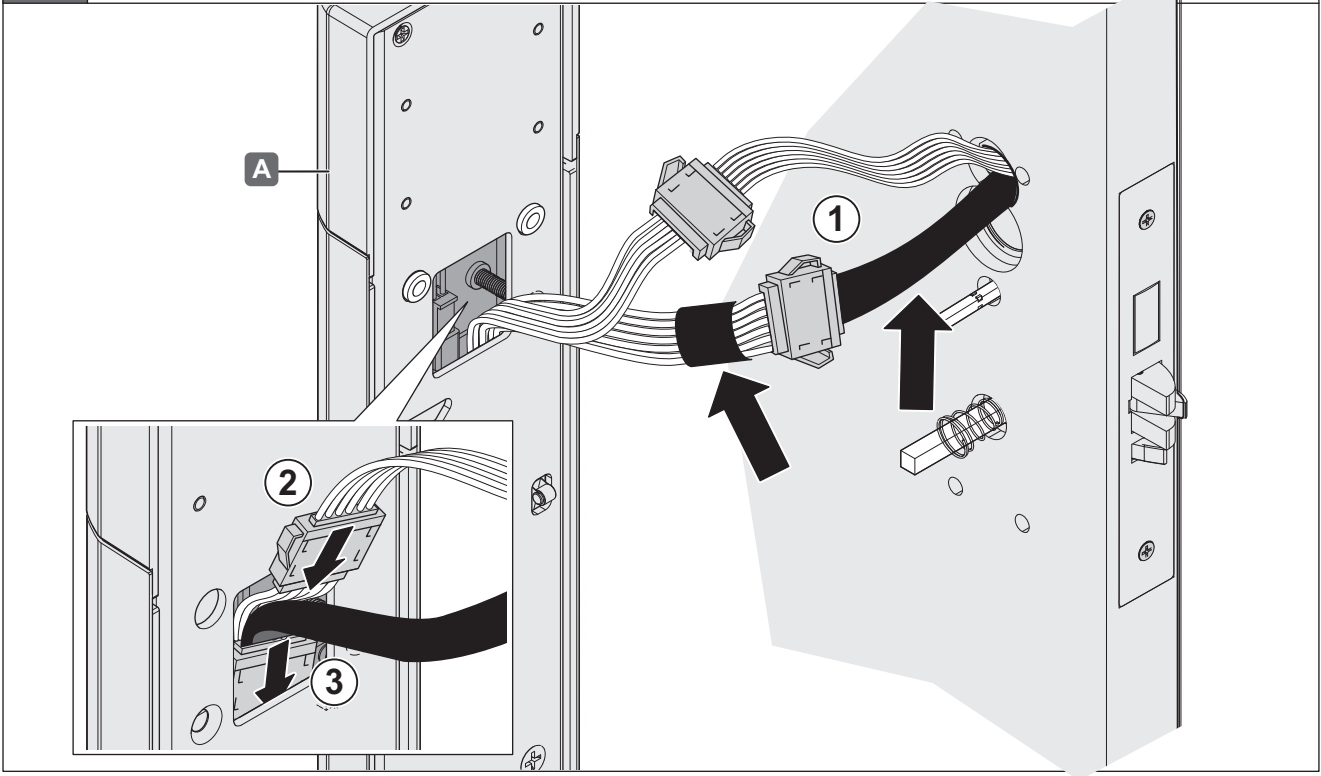


732.29.501

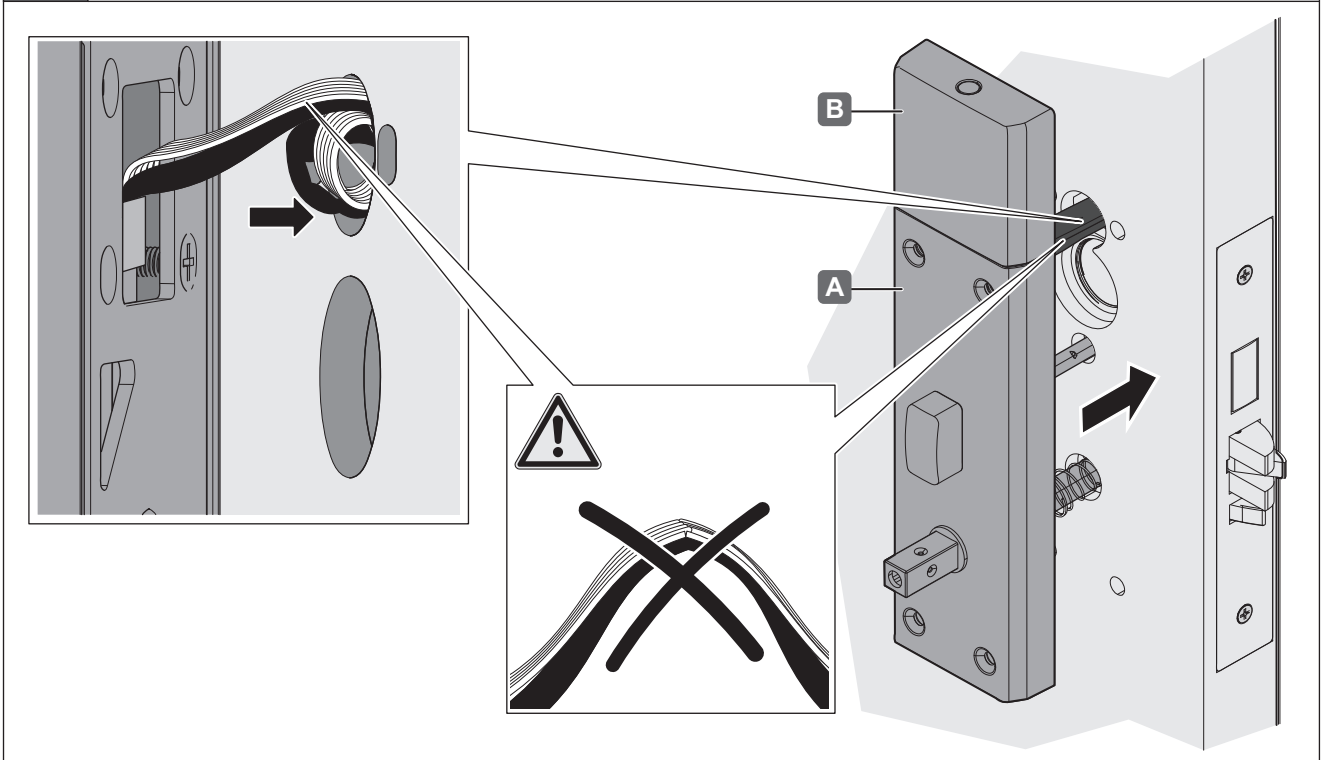
HDE 06/2019



13



14



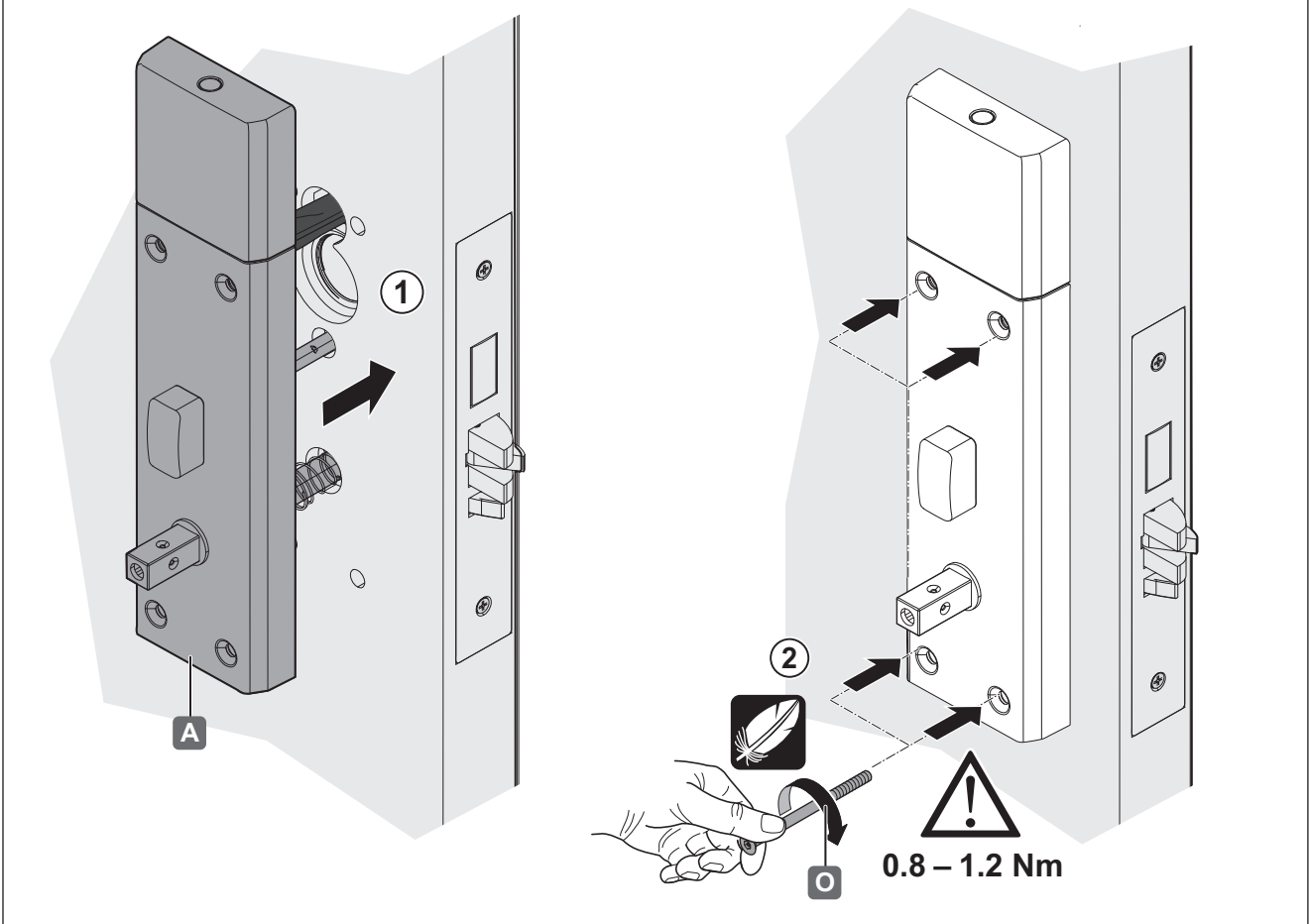
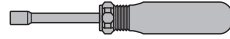
732.29.501

HDE 06/2019

15



Hex insert 3.0 with pin

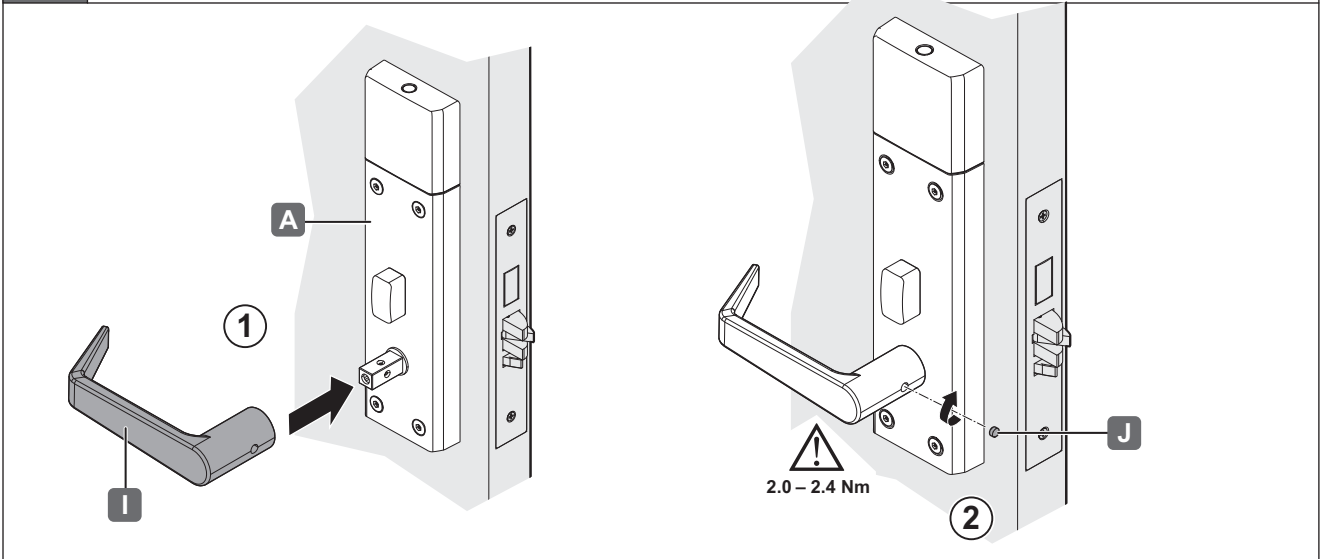


732.29.501

16



Hex insert 3.0



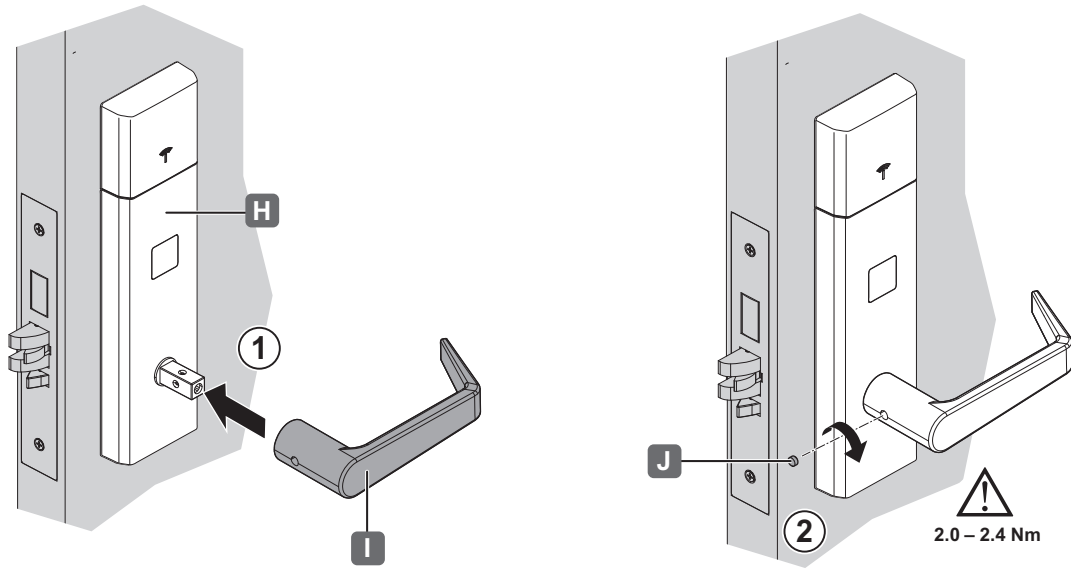
HDE 06/2019



17



Hex insert 3.0

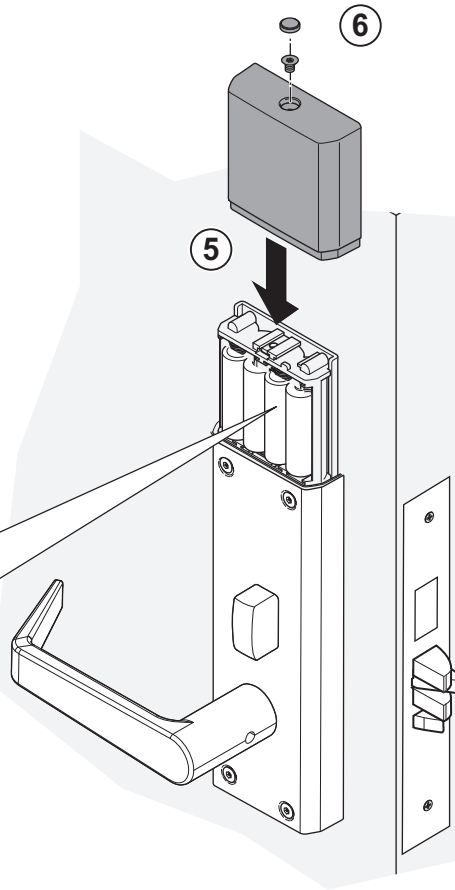
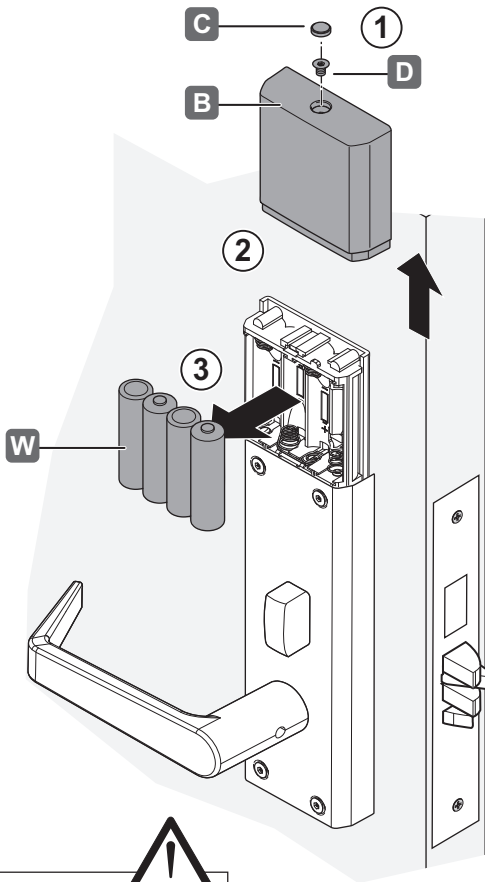
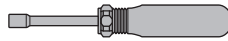


732.29.501

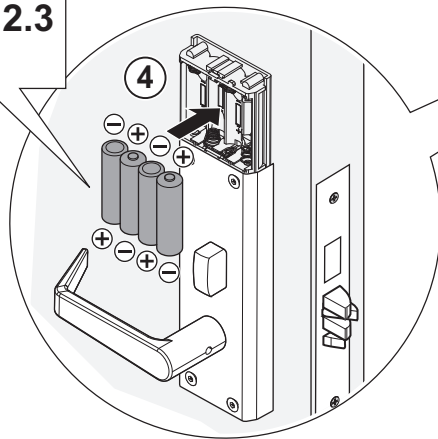
HDE 06/2019



Hex insert 3.0 with pin

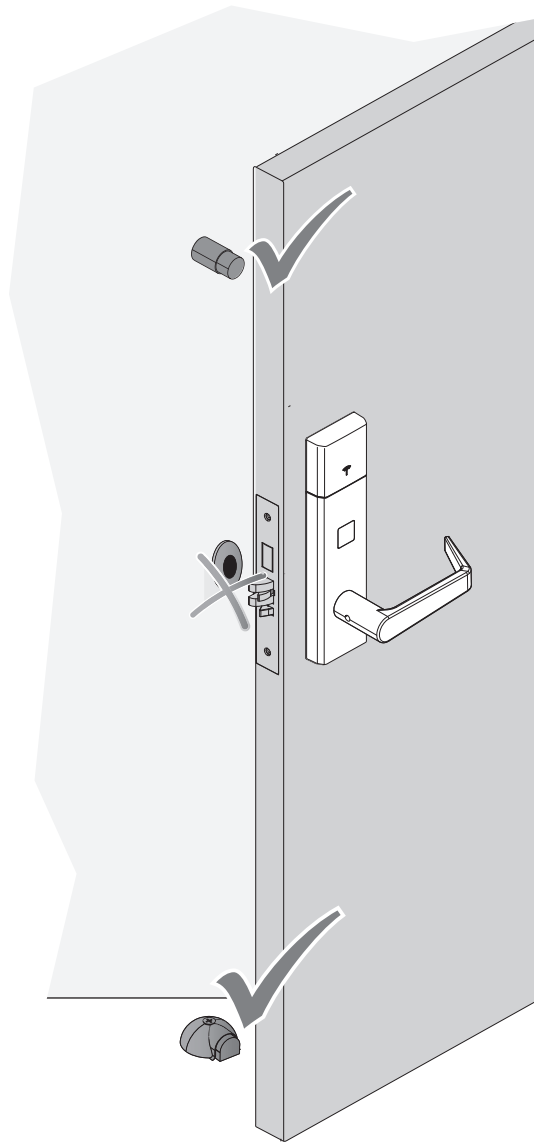


2.3



732.29.501

HDE 06/2019

i

732.29.501

HDE 06/2019

732.29.501

HDE 06/2019

Copyright

All rights reserved. The texts, images and graphics in this document are subject to copyright and other protection laws. Reproduction, even in part, as well as imitation of the design are prohibited.

Exclusion of liability

Häfele GmbH & Co KG compiles the contents of this document with the utmost care and ensures that they are updated regularly. Häfele GmbH & Co KG does not accept any liability for the up-to-dateness, correctness or completeness of the information on these pages.

Häfele GmbH & Co KG
Adolf-Häfele-Str. 1
D-72202 Nagold
Germany

Tel.: +49 (0)74 52 / 95 - 0
Fax: +49 (0)74 52 / 95 - 2 00
E-mail: info@haefele.de

Subsidiaries of Häfele:

<https://www.hafele.com/com/en/info/locations/9749/>