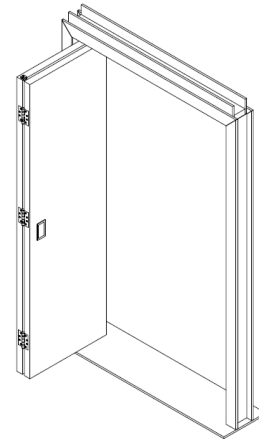
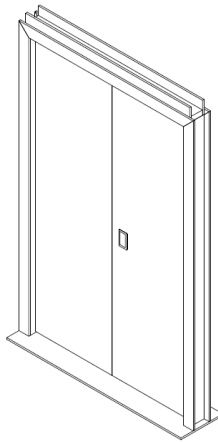
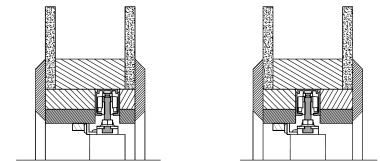
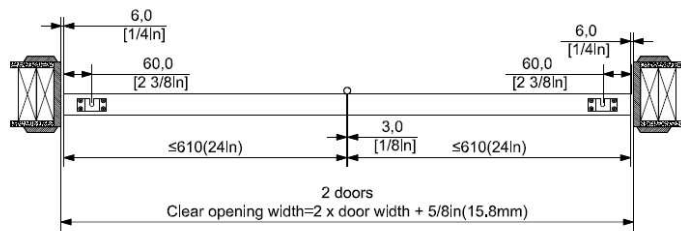


Slido Classic Bifold 30

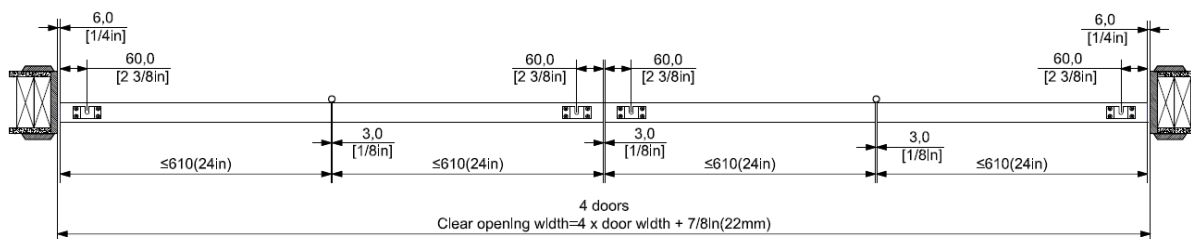


1) Preparation of opening:

- Clear finished opening (CO) width for 2 panel application is:
 - $CO = 2 \times \text{door width} + 15.8 \text{ mm } (5/8'')$
- Clear finished opening (CO) width for 4 panel application is:
 - $CO = 4 \times \text{door width} + 22 \text{ mm } (7/8'')$
- Opening height = Door height + 70 MM (2 3/4'')
- Measured from the finished floor to the top of the upper track
- Make sure that the header is level and the jambs are straight and plumb.

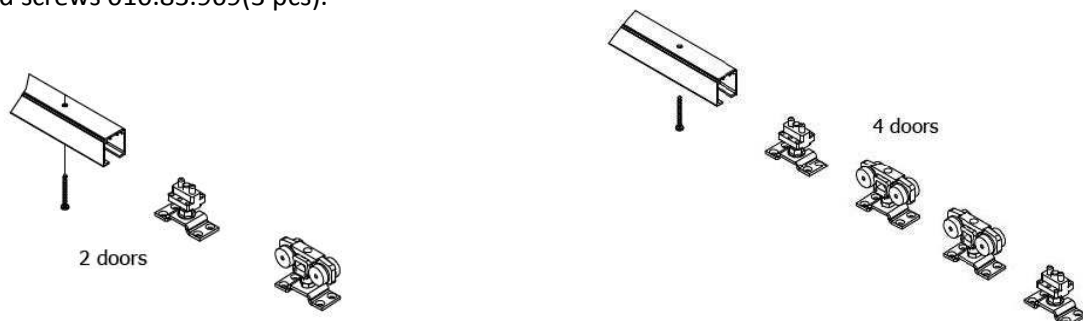


Header options. (Refer to dimensional drawings on page 6)



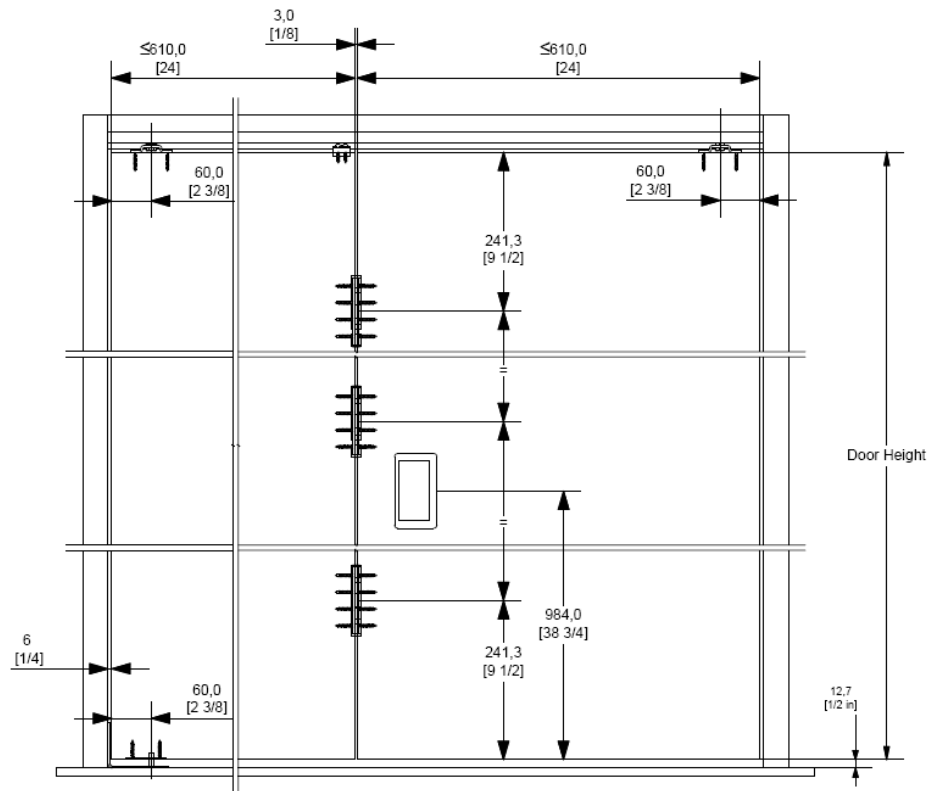
2) Upper track:

- Cut upper track to fit opening size. Insert upper pivot(s) and upper running gear(s) into track and mount header with pan head screws 010.83.969(3 pcs).

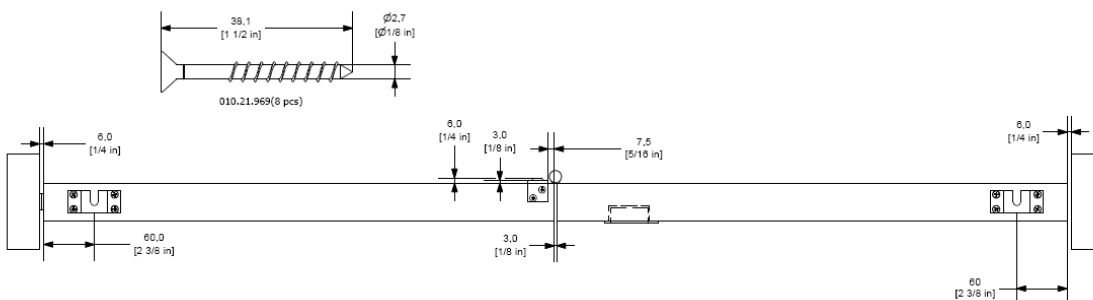


3) Door preparation:

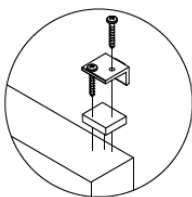
- Mortise hinges based on the template attached (refer to page 5) and the recommended hinge locations on the drawing shown below. Hinge knuckle should face to rear of the opening. Mount hinges on one of the doors.



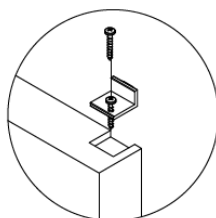
- Fasten top suspension plates to the top of the door. Refer to dimensions below.



- Fasten the door stop to the top of the door (on one door only). Refer to illustration below and for mortising dimension to drawing on page 6



STOP BRACKET
INSTALLATION OPTION 1
WITH SHIM

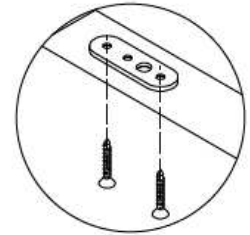
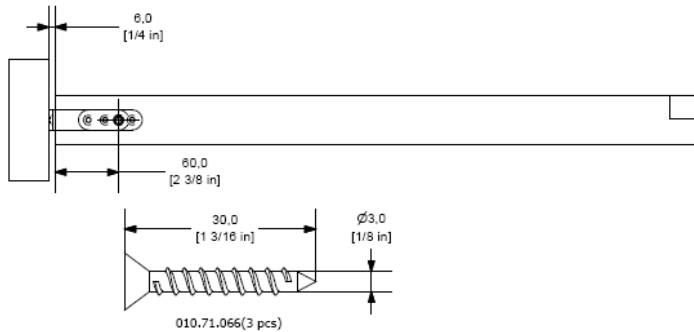


STOP BRACKET
INSTALLATION OPTION 2



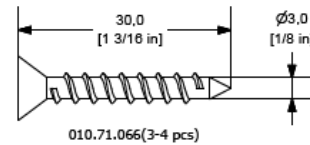
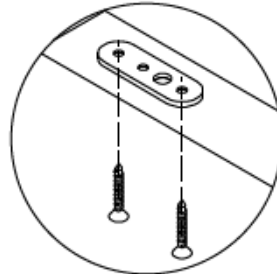
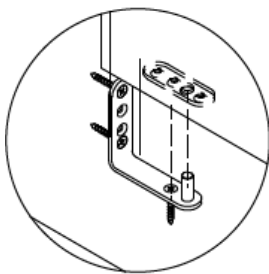
010.83.969(2 pcs)

- Mark the location of the lower pivot at the bottom of the pivoting panel. Refer to the drawing on page 6. Use a 3/8" diameter lip & spur drill bit to drill a 3/4" deep pivot hole.
- Recess- or surface-mount the pivot plate to the bottom of the door (hinge side) with the supplied screws. Refer to dimensions below.



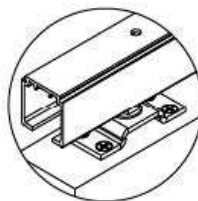
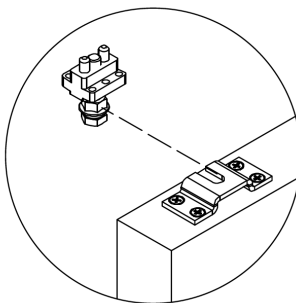
4) Pivots

- Attach either the floor mounted or the jamb mounted pivot. Please make sure that the upper and lower pivots are mounted in line. For recommended dimensional placement refer to the drawing on page 6.

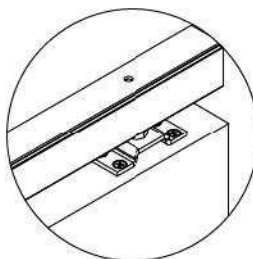
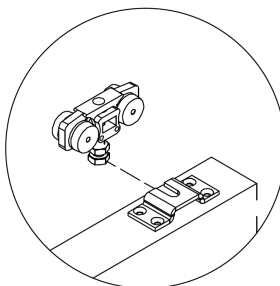


5) Hang Bifold Doors

- Take the pivot panel, tilt slightly, and insert into the mounted lower pivot.
- Next slide the upper pivot suspension plate onto the bolt of the upper pivot and tighten set screw



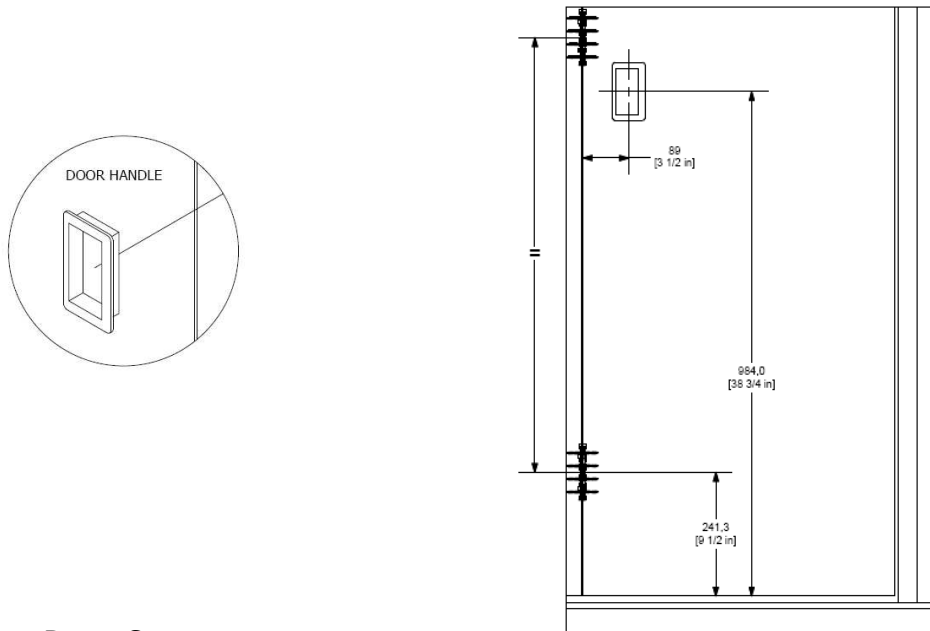
- Attach the second Bifold panel onto the suspension plate of the running gear. Tighten set nut.



- Combine both doors at the hinges with the supplied screws that come with the hinges.
- Adjust the bi-folding doors for proper clearance and alignment. Doors should be parallel to the upper track and operate smoothly.

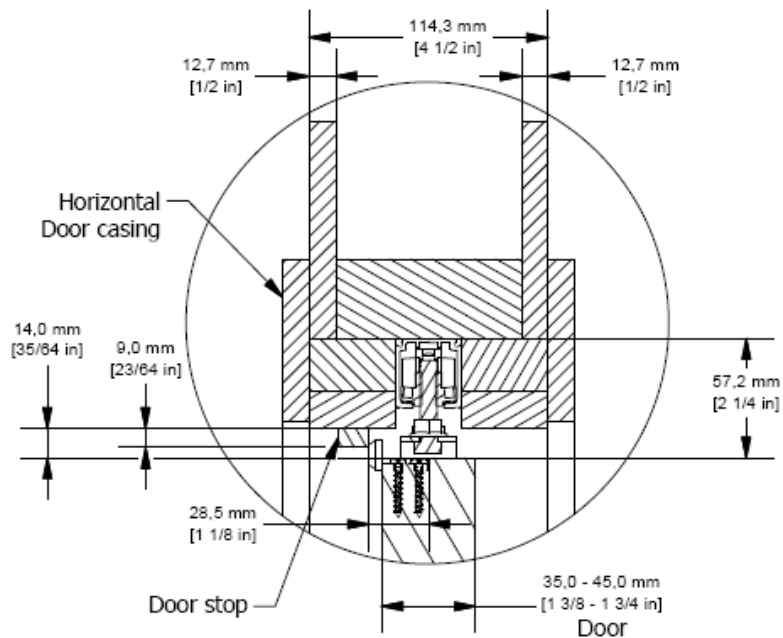
6) Install Door Hardware

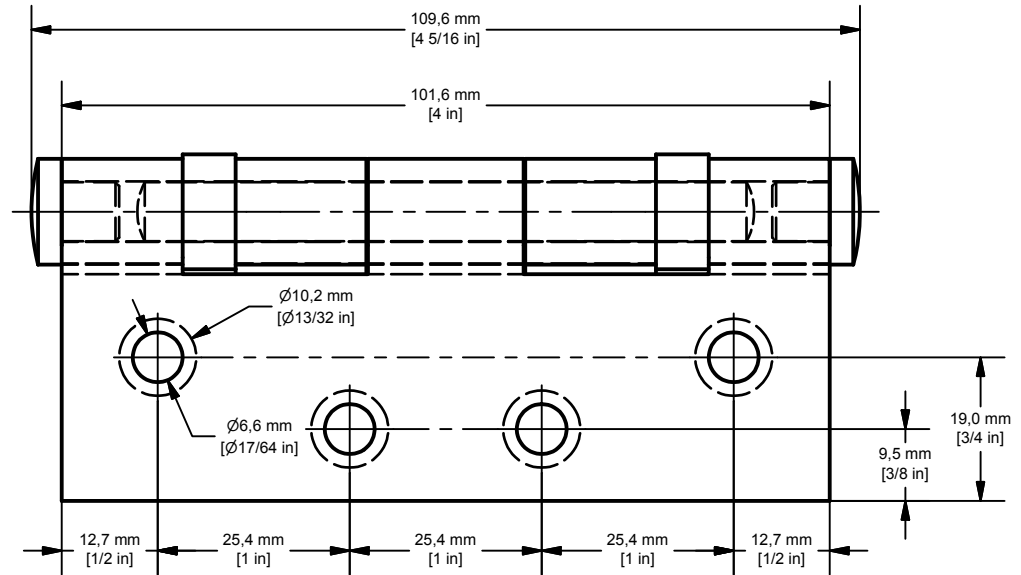
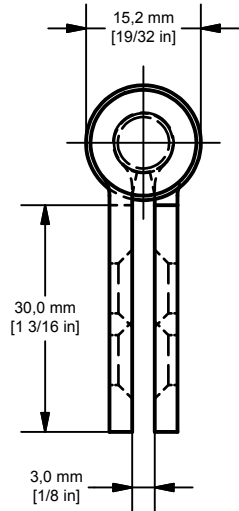
- Attach either knob, pull handle or flush pull at the recommend location shown on the drawing below. (not supplied with the fitting set. Order separately!)



7) Install Upper Door Stop

- For doors to stay straight in the closed position install a door stop at the top jamb. Please see drawing below.





STATUS

00

Mortise template for
4"x3" butt hinge

926.90.203

NOTICE
THIS DRAWING AND ALL INFORMATION THEREON IS THE PROPERTY OF:

HAFELE

THIS DRAWING AND INFORMATION THEREON IS CONFIDENTIAL. MUST NOT
MADE PUBLIC, COPIED OR USED TO DISADVANTAGE OF SAID HAFELE
AMERICA CO. IT IS SUBJECT TO RETURN ON DEMAND.

2016 HAFELE AMERICA, CO.

DATE: 04.22.2016

SCALE: 1:1

DRAWN BY: NPG

PUM APPROVAL MS

SPECIFICATION

MAT: Stainless steel

FINISH: Matt

CUSTOMER APPROVAL

