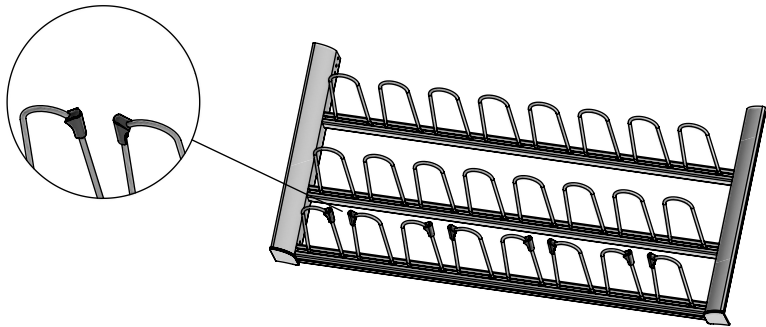


STEP 1: SPREAD SHOE HOLDERS AND INSERT THE ENDS INTO BOTH SIDES OF THE CLIPS LOCATED INSIDE THE CROSS-BARS. ENSURE HOLDERS ARE ANGLED TOWARDS THE REAR OF THE FRAME.



STEP 2: SANDAL CLIPS CAN BE ADDED BY SNAPPING THEM ONTO THE SHOE HOLDERS.

View How To Videos for more information.
<https://www.youtube.com/user/TagHardware>