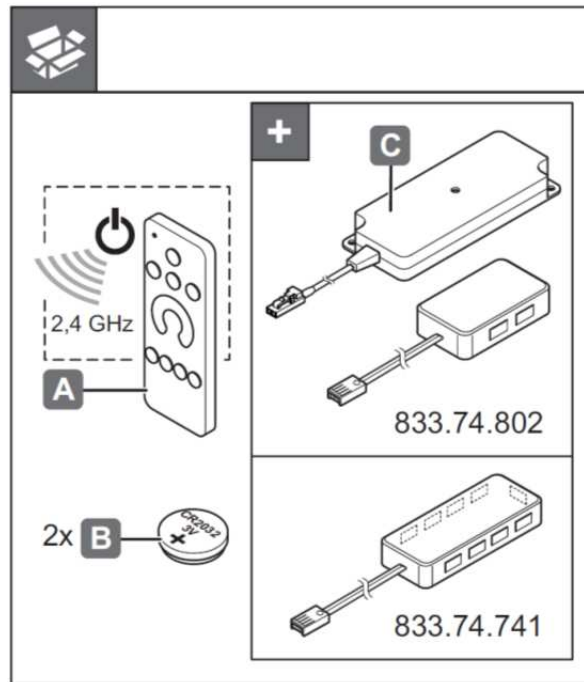
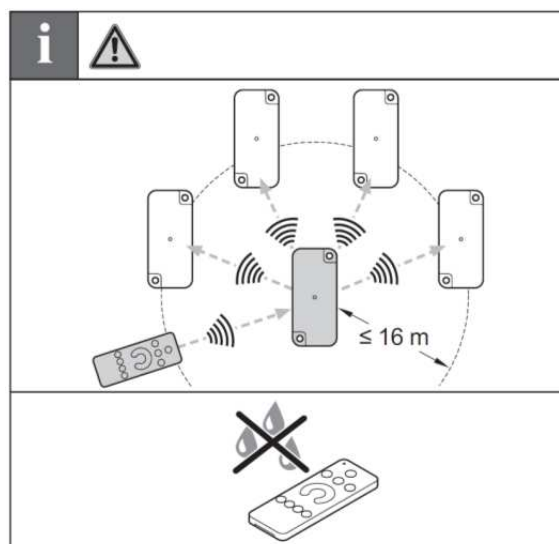


LOOX Mounting / Programming Instructions: Item no. 833.74.708

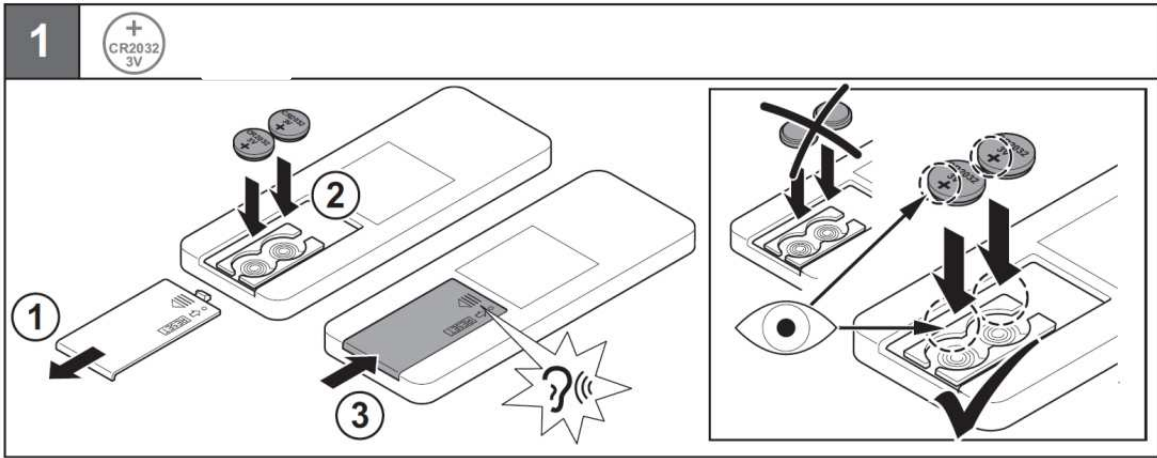
- The following are programming instructions for the Loox RGB Remote for the 12v Color Changing Control System.



- The Wireless Remote, item 833.74.708, works with the 12v (833.74.802) Mixer Module.
- Up to 10 Mixers can be paired to a single Wireless Remote.

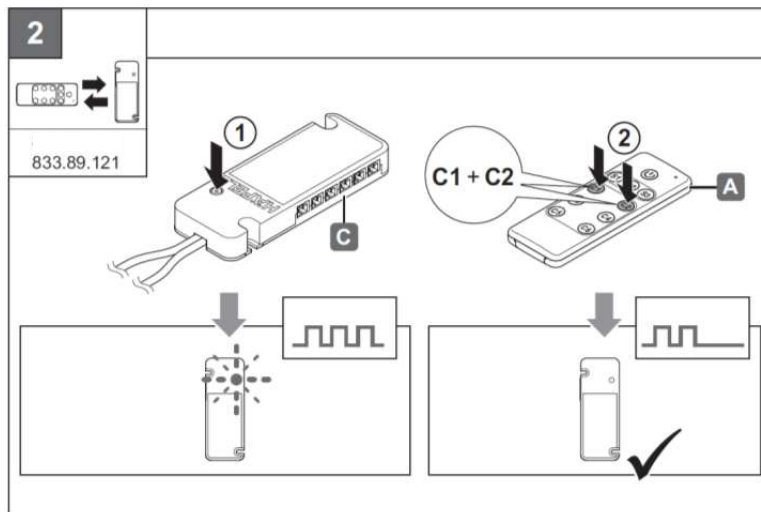


LOOX Mounting / Programming Instructions: Item no. 833.74.708



Installing the Battery

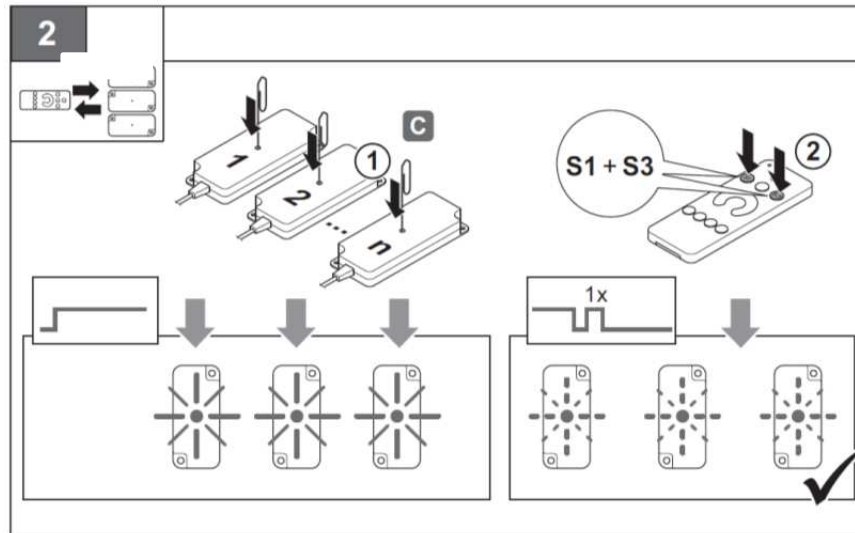
- To install or replace the battery (type CR2032, 3V), remove battery cover.
- Pay attention to battery orientation (+ faces the battery cover).
- Slide battery cover into place until the cover snaps closed.



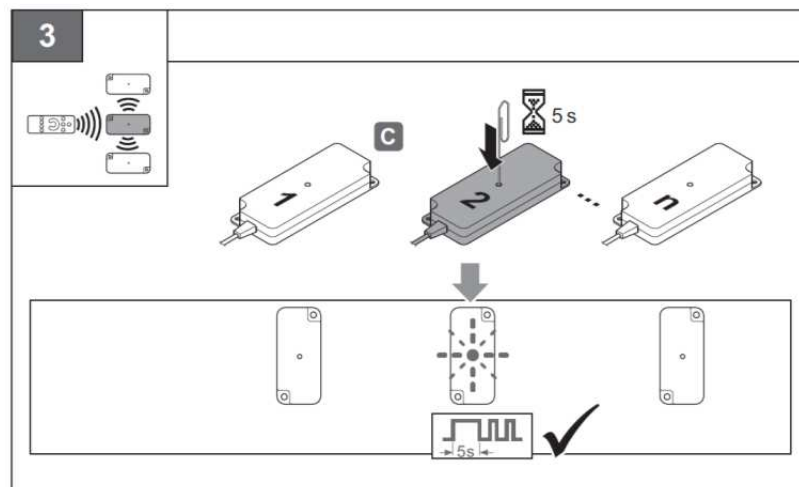
Pairing the Wireless Remote to the Mixer Module:

- Press button located on Mixer Module Top Cover.
- Button will illuminate solid **blue**....
- Press S1+S3 buttons together on Wireless Remote.
- The Blue light on the Receiver Module will turn off, on and back off.

LOOX Mounting / Programming Instructions: Item no. 833.74.708



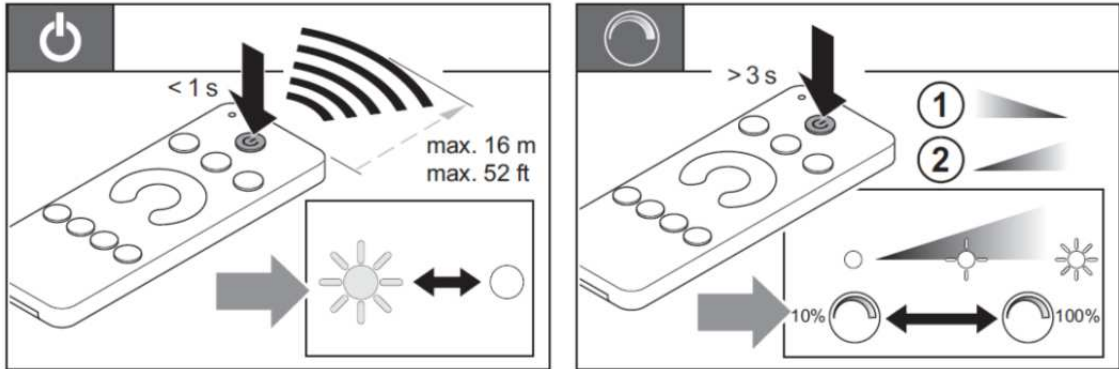
- Pairing multiple mixers is handled the same as the first.




- Syncing multiple mixers is handled by assigning one mixer as the main or master mixer.
- Simply depress the center button of the intended main/master for > 5 seconds. That mixer LED will then flash blue continuously.
- To decommission a mixer from master mode, depress the same center button again for > 5 seconds. The LED will stop flashing blue.

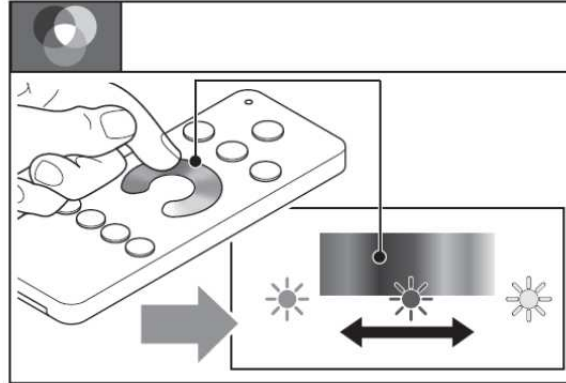
LOOX Mounting / Programming Instructions: Item no. 833.74.708

- Test the pairing by pressing the power button 
- Operating range of the remote to the mixer is 16m or 52 ft.



Dimming:

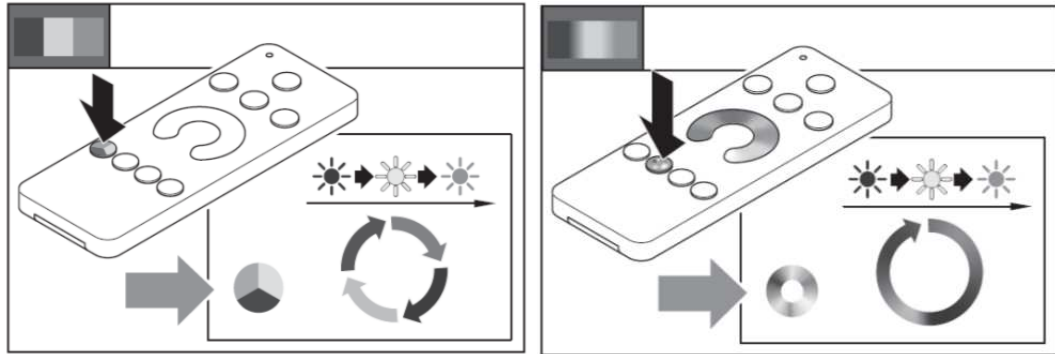
- Dimming all lights can be achieved by pressing and holding the power button  for greater than 3 seconds.
- The dimming is not cyclical. Holding the button initially only dims in one direction. To reverse the dimming, re-press the same button longer than 3 seconds to increase the light intensity.



Color Adjustment:

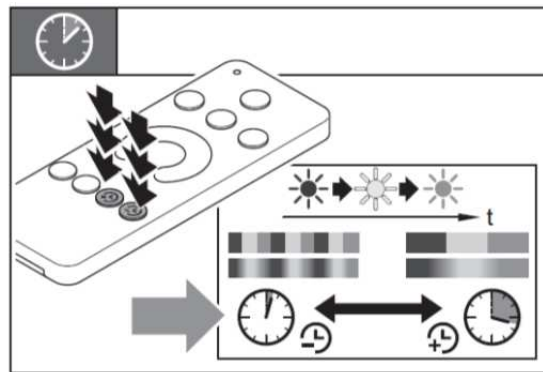
- The Color Arc is a touch pad that allows the user to dial in the color like an iPod.

LOOX Mounting / Programming Instructions: Item no. 833.74.708



Color Changing/Cycling:

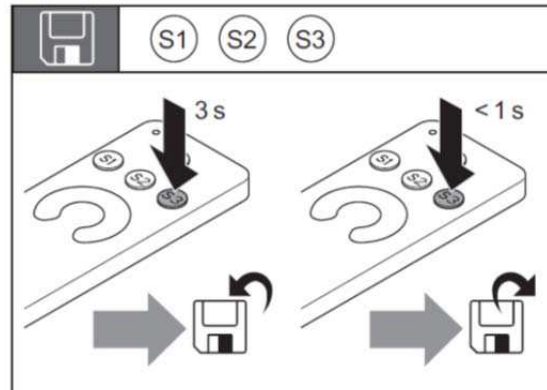
- The bottom left 2 buttons are used to set the color cycling to a stepped change and a gradient change mode.



Color Changing Transition Time:

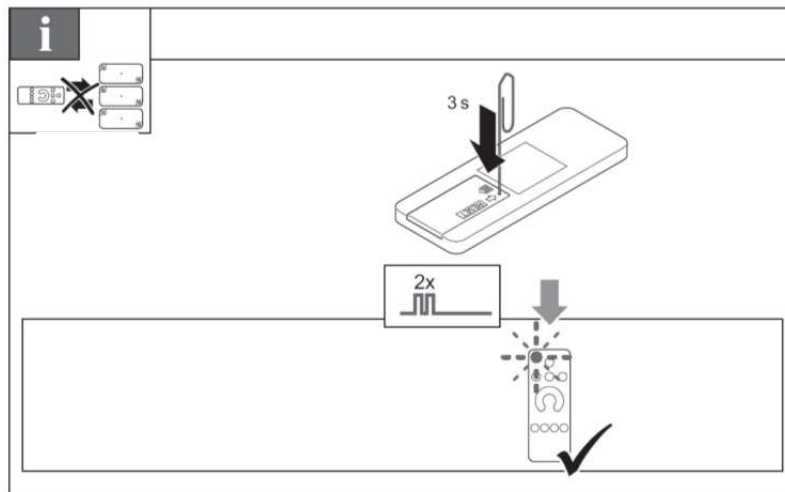
- The bottom right 2 buttons are used to set the color cycling transition time.

LOOX Mounting / Programming Instructions: Item no. 833.74.708



Scene saving:

- It is possible to save colors that are able to be recalled with a single button.
- Once the desired color is achieved, the user may then save the setting to a Scene.
- Press and hold the S1, S2, or S3 button until the lights blink in confirmation of being saved. Up to 3 scenes can be stored in a Wire Remote.



Resetting the Wireless Remote:

- It is also possible to reset a remote and break communication with all associated Receiver Modules.
- Locate the reset button on the back of the Wireless Remote.
- Using a paperclip, press and hold the reset button longer than 5 seconds.