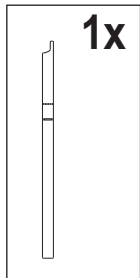
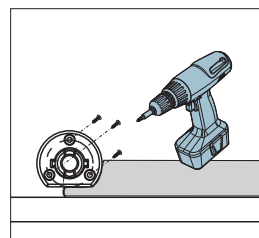
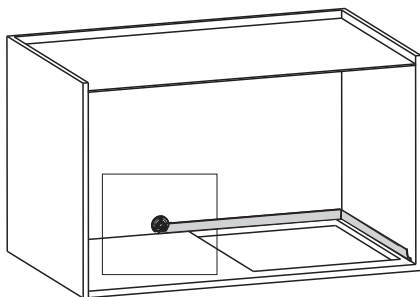


9

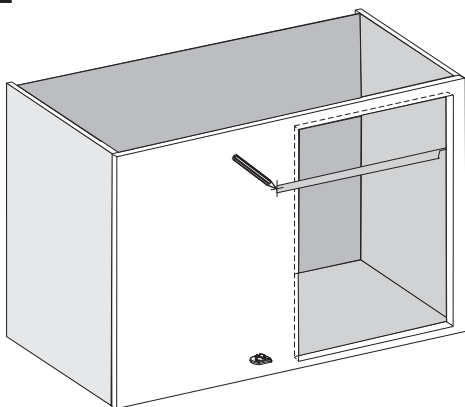
Using the installation gauge



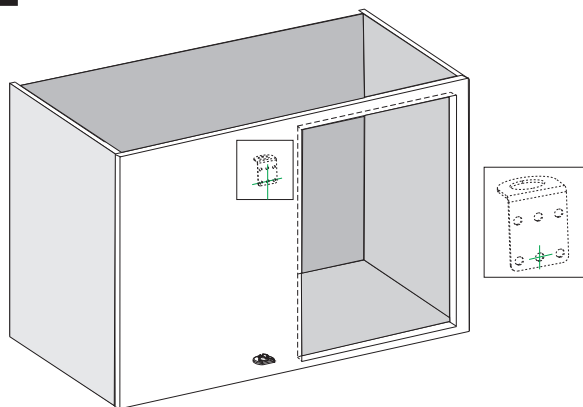
1



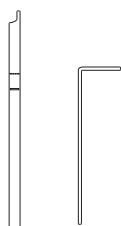
2



5

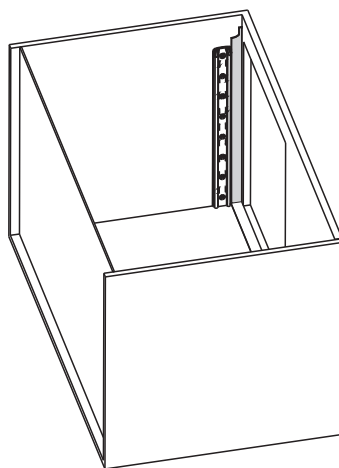


3



bend over the gauge
at perforation
if needed !

6



4

