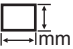


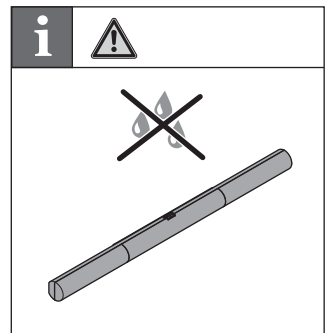
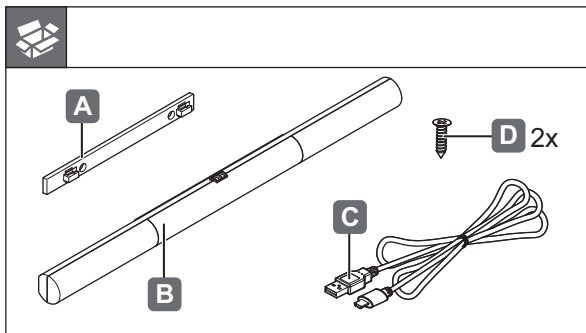




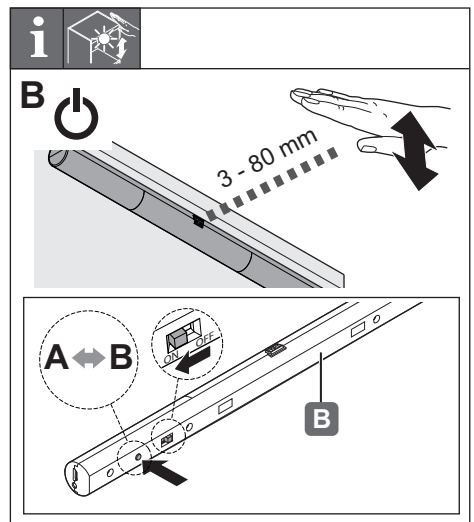
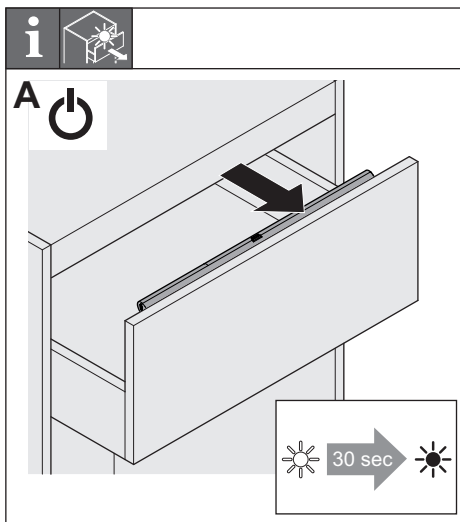
LED 9005

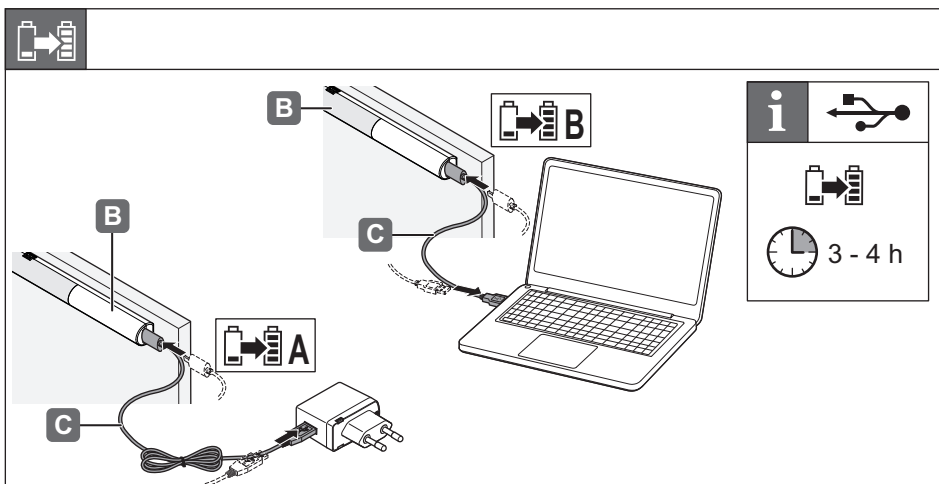
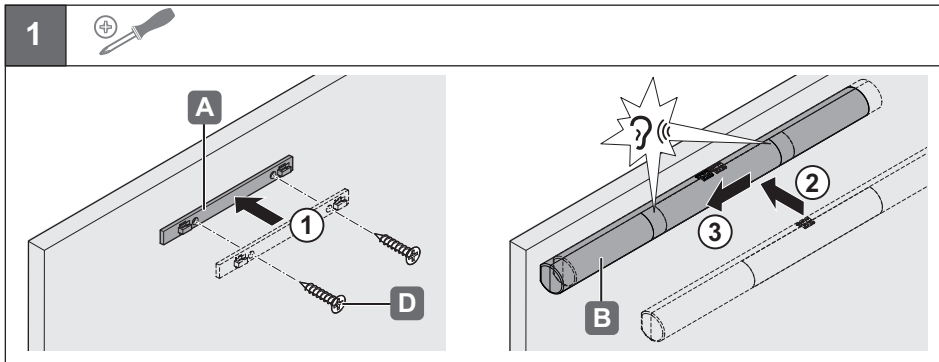
Battery System	K	W	T _A	 mm	 mm	
833.87.020	6500 K	0.6 W	-20 °C – +35 °C -4 °F – +95 °F	300 x Ø 20	≥ 310 x Ø 30	DC5V (≤ 1A)

7.32.28.292



HDE 06/2015





732.28.292

HDE 06/2015