

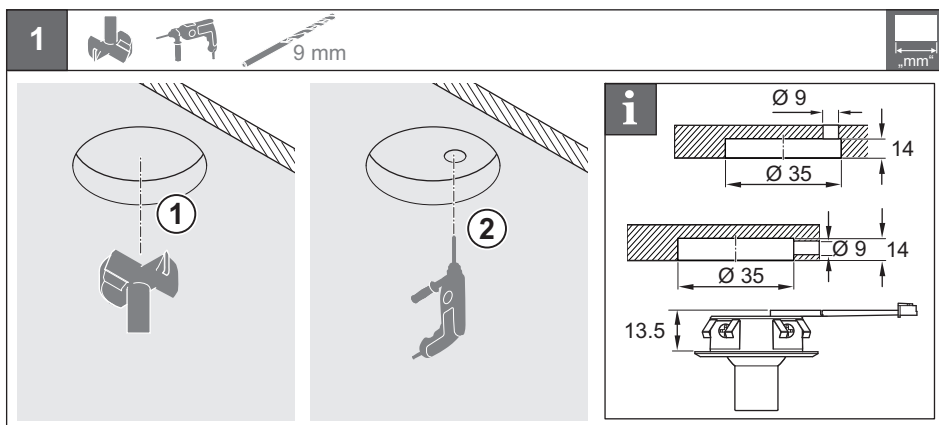
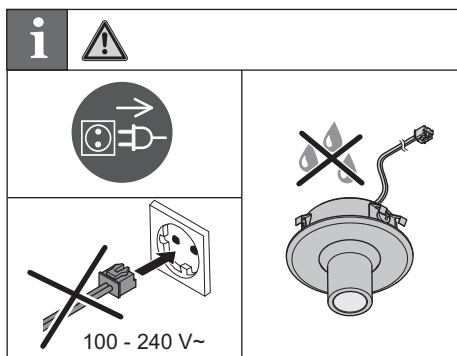
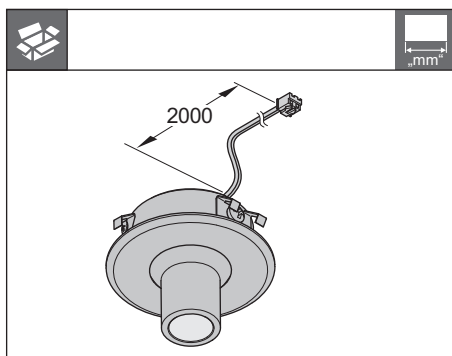


LED 4012

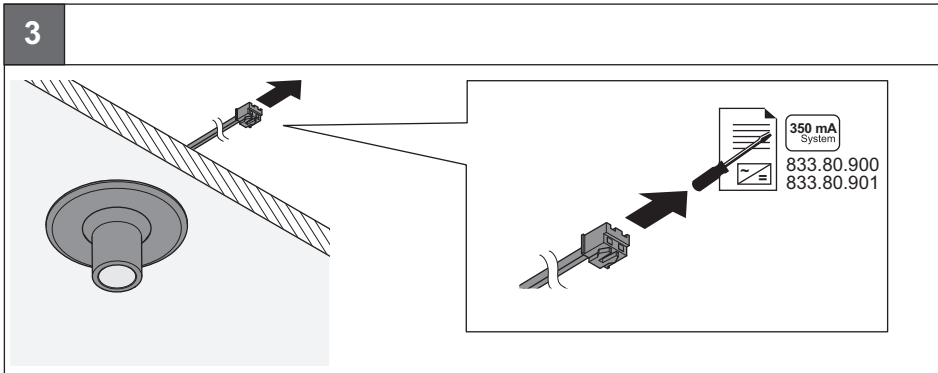
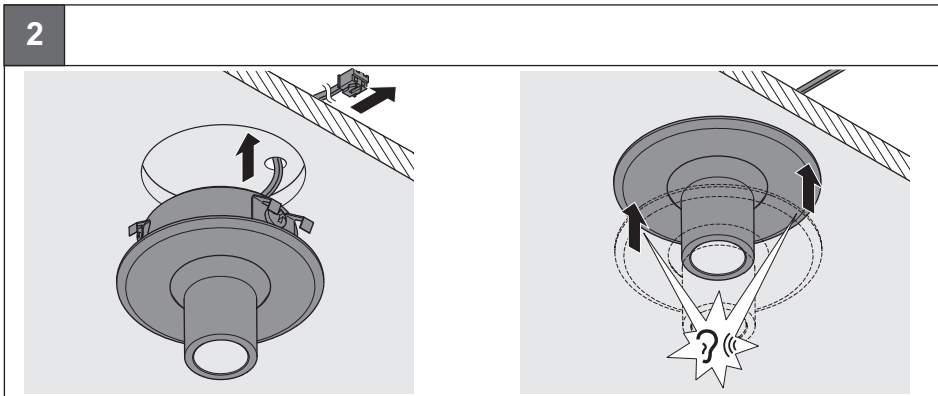
833.78.090  
833.78.091  
833.78.092  
833.78.093

350 mA System		K	W	T <sub>A</sub>	mm	mm	
	833.78.090	4000 K	1.0 W	-20 °C – +35 °C -4 °F – +95 °F	Ø 39 x 31	≥ Ø 49 x 41	833.80.900 833.80.901
	833.78.092	6000 K					
	833.78.091	4000 K					
	833.78.093	6000 K					

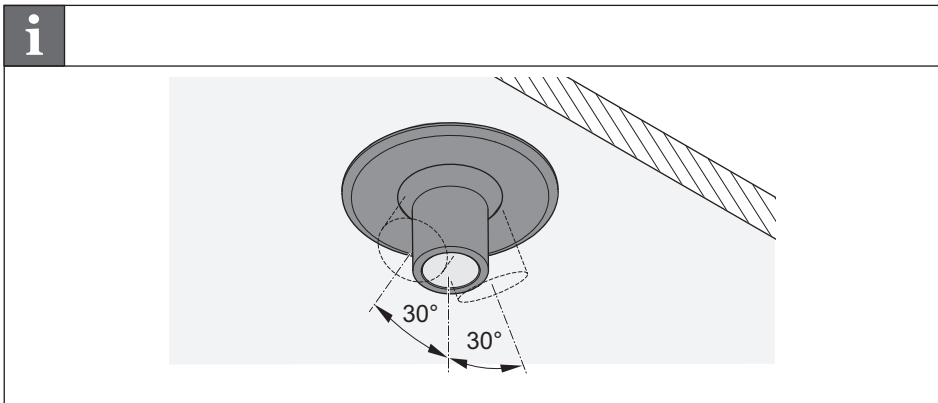
732.28.277



HDE 10/2014



732.26.277



HDE 10/2014