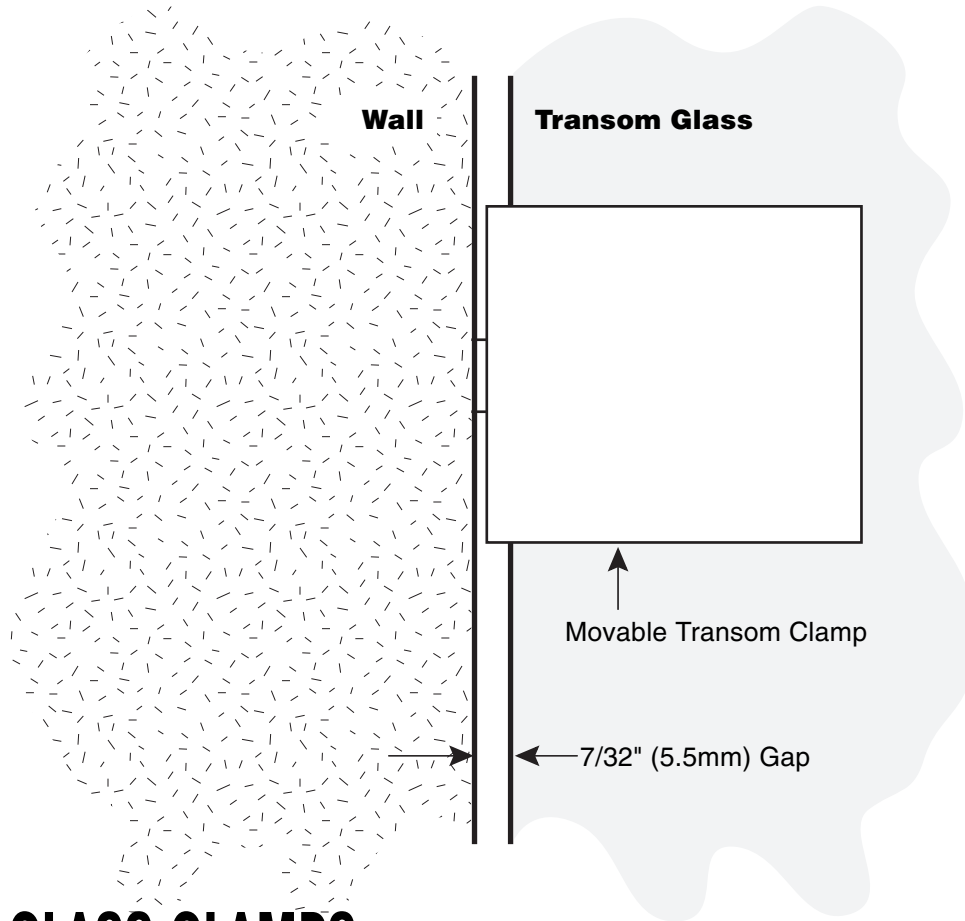




TYPICAL INSTALLATION



GLASS CLAMPS

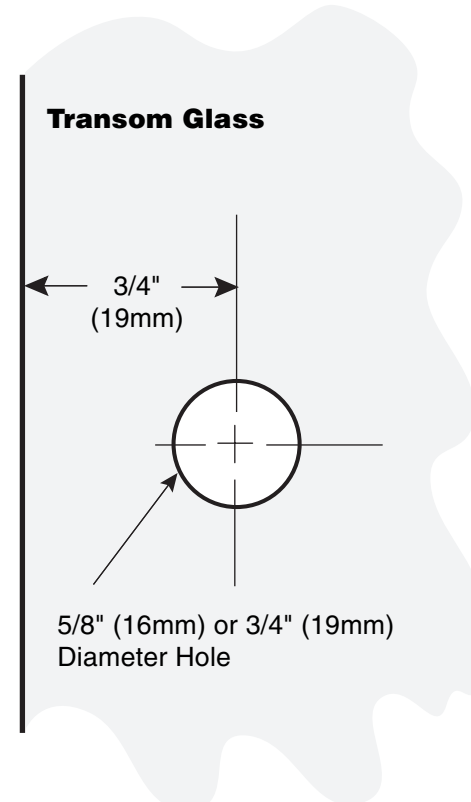
Wall Mount Movable Transom Clamp

CAT. No. SGC186

SQUARE

TEMPLATE FOR WALL TO MOVABLE TRANSOM GLASS

Important: Project measurements from the edge of glass.



ALWAYS USE DIMENSIONS



TO ENSURE ACCURACY