

Description:

CRL ZERO HINGE SYSTEM

Drawn By: AB

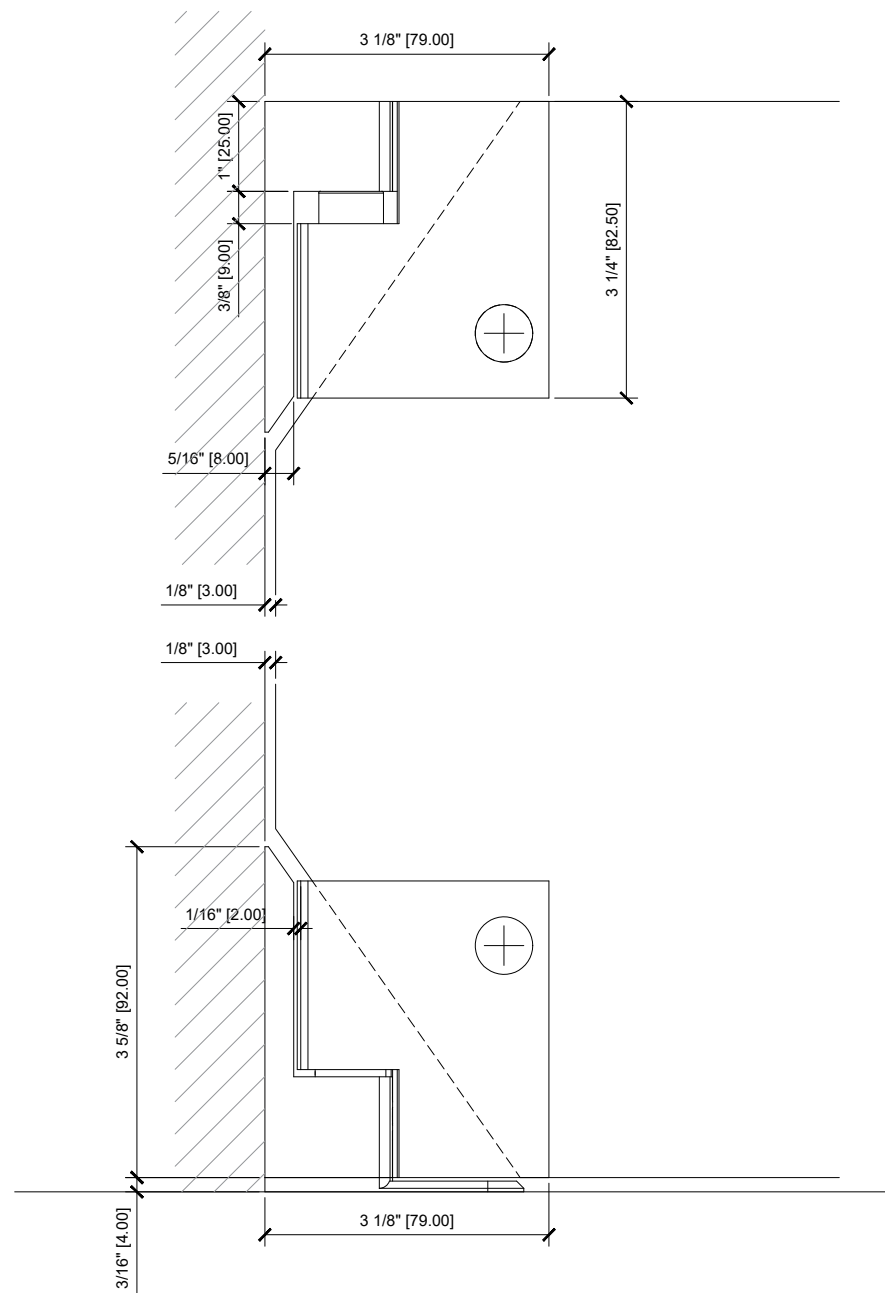
Date: 08/21/2024

Scale: AS NOTED

File Name:

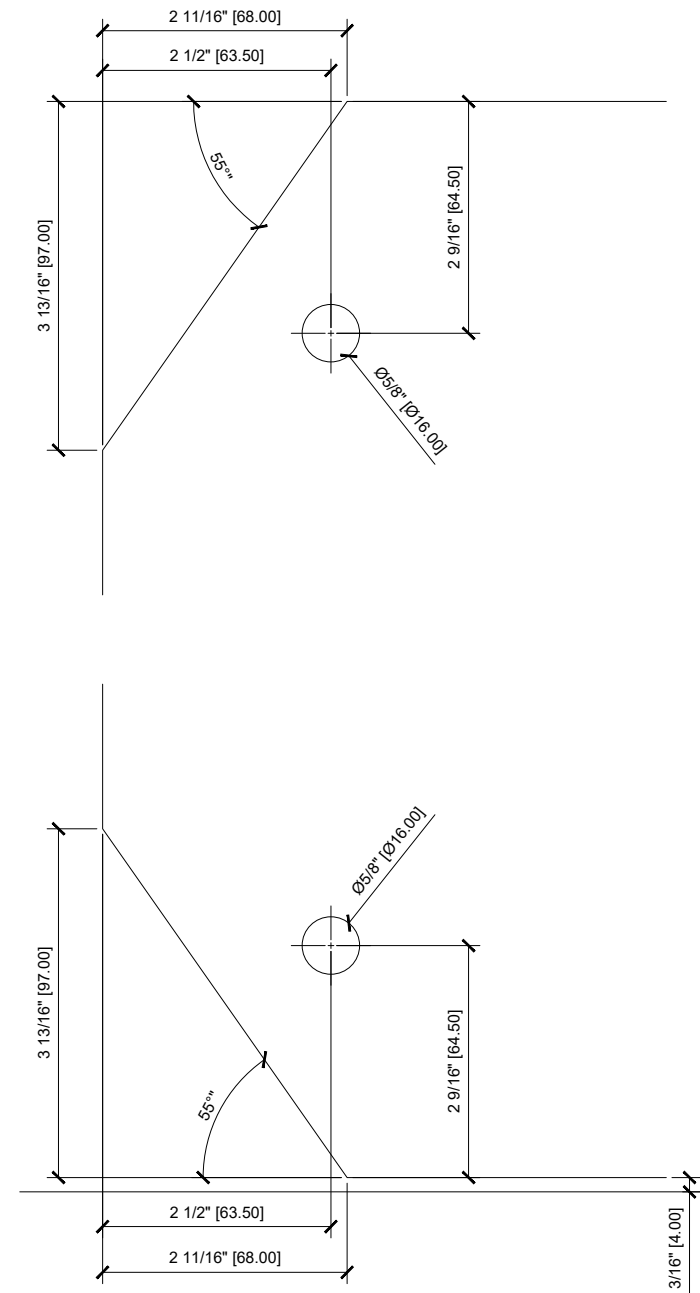
SYS0133A_ZERO HINGE SYSTEM DRAWINGS

Sheet



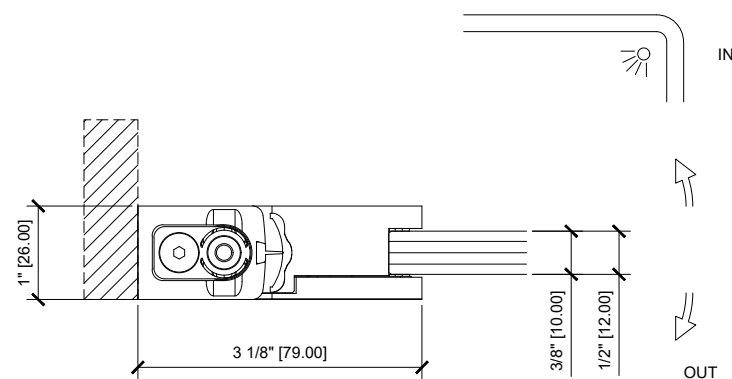
② SIDE VIEW DETAIL

ARCH REF: SCALE: 1'-0"=1'-0"



③ GLASS CUT OUT DETAIL

ARCH REF: SCALE: 1'-0"=1'-0"



① PLAN VIEW DETAIL

ARCH REF: SCALE: 1'-0"=1'-0"

Description:

CRL ZERO HINGE SYSTEM

Drawn By: AB

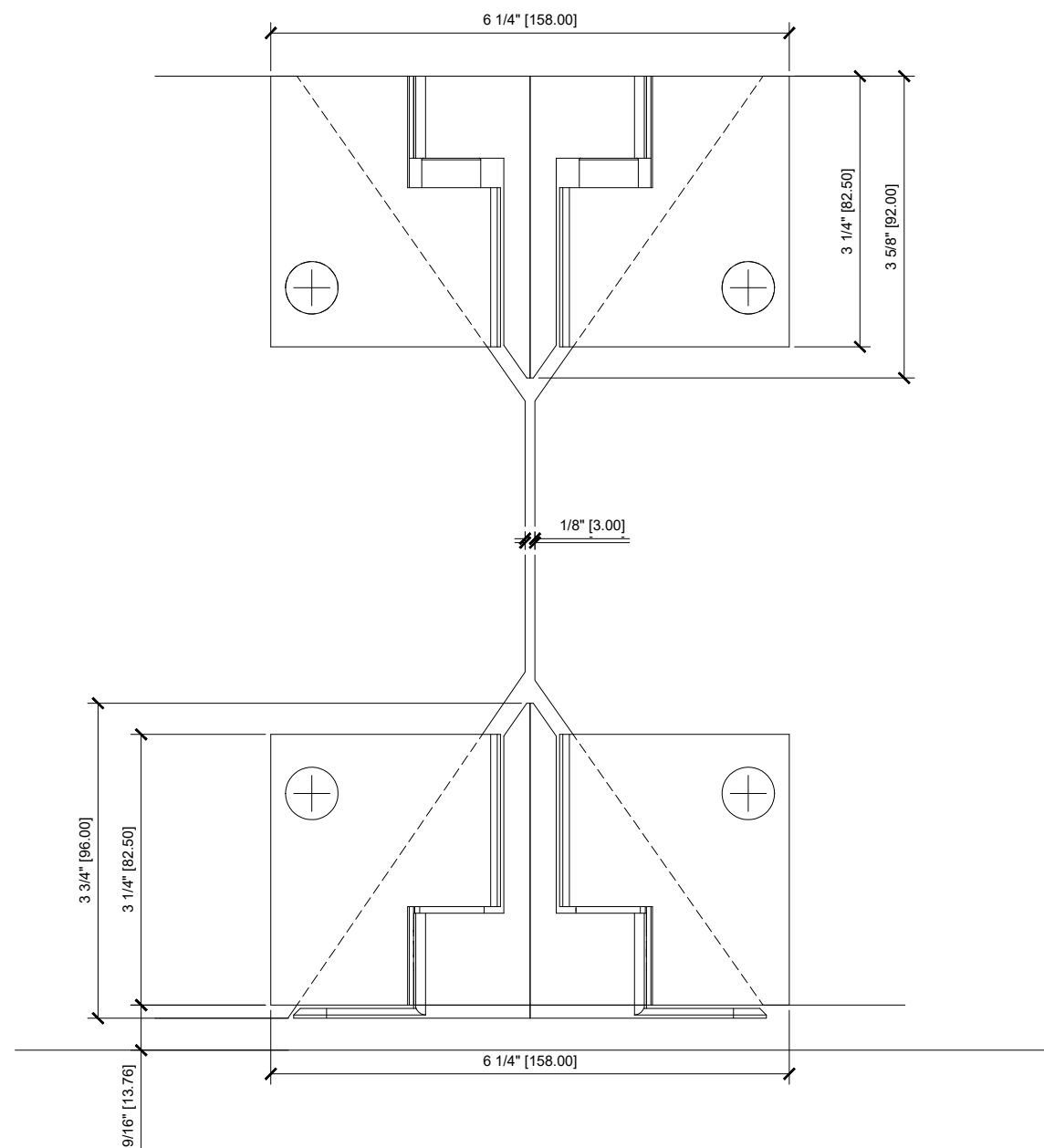
Date: 08/21/2024

Scale: AS NOTED

File Name:

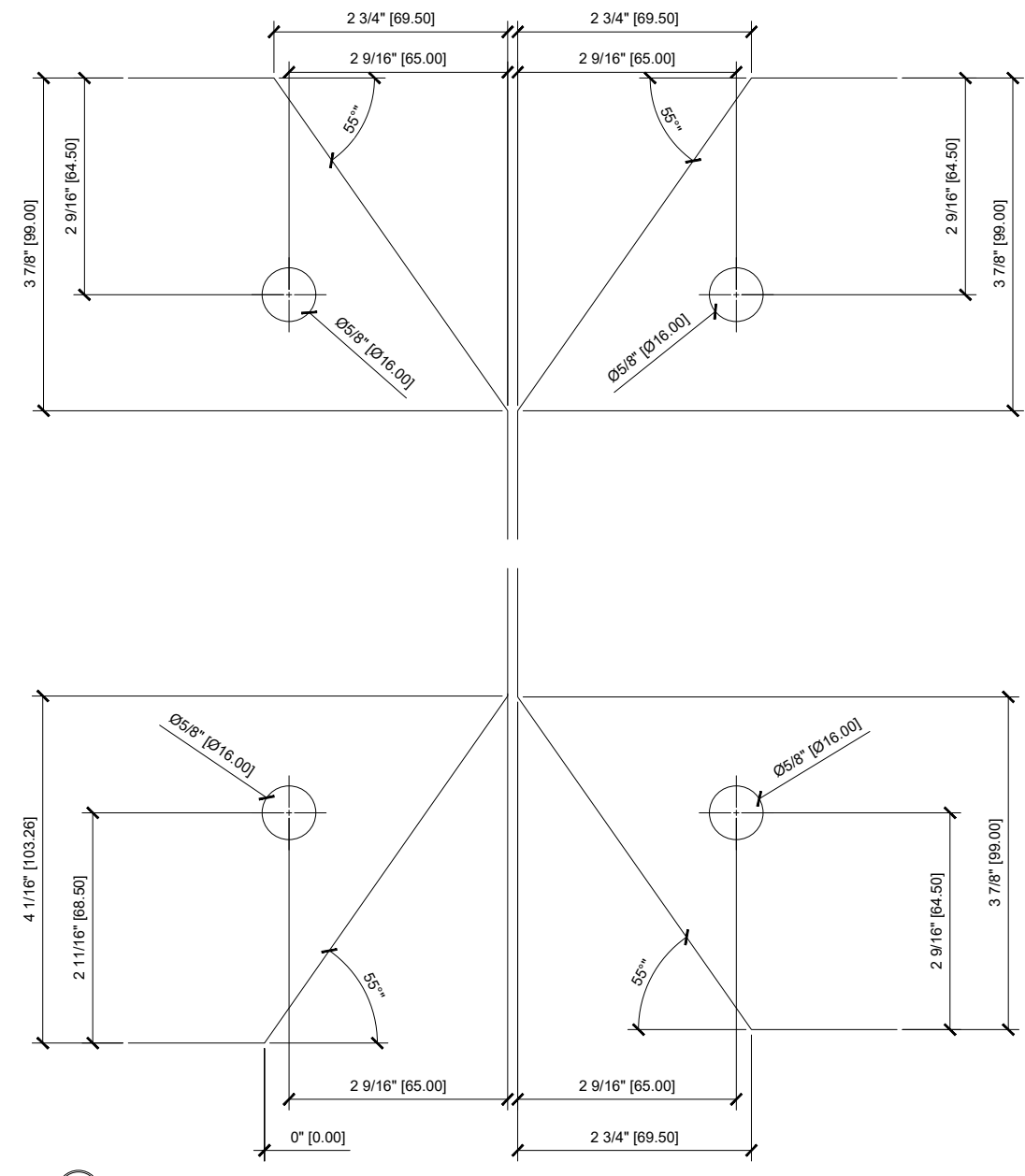
SYS0133A_ZERO HINGE SYSTEM DRAWINGS

Sheet



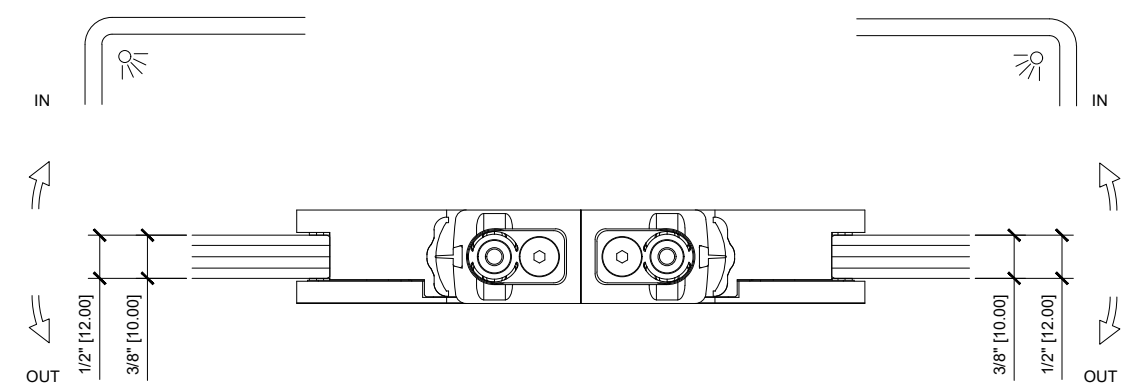
② SIDE VIEW DETAIL

ARCH REF: SCALE: 1'-0"=1'-0"



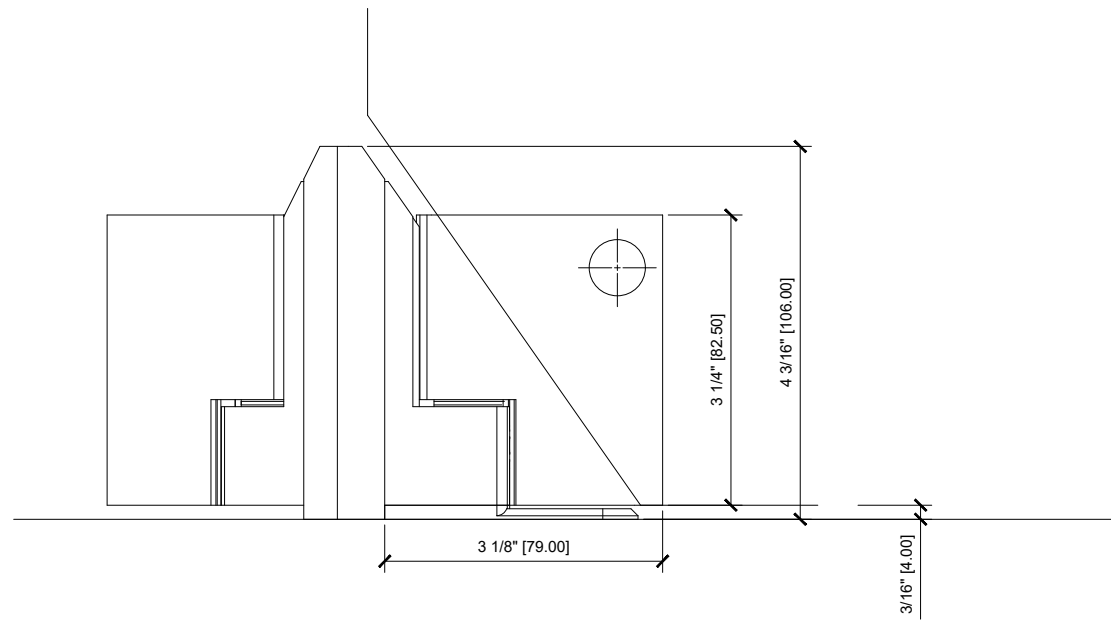
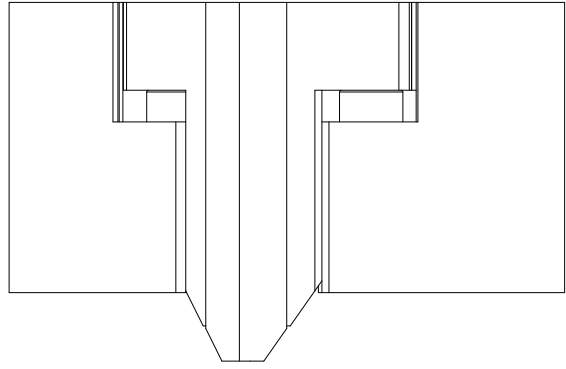
③ GLASS CUT OUT DETAIL

ARCH REF: SCALE: 1'-0"=1'-0"



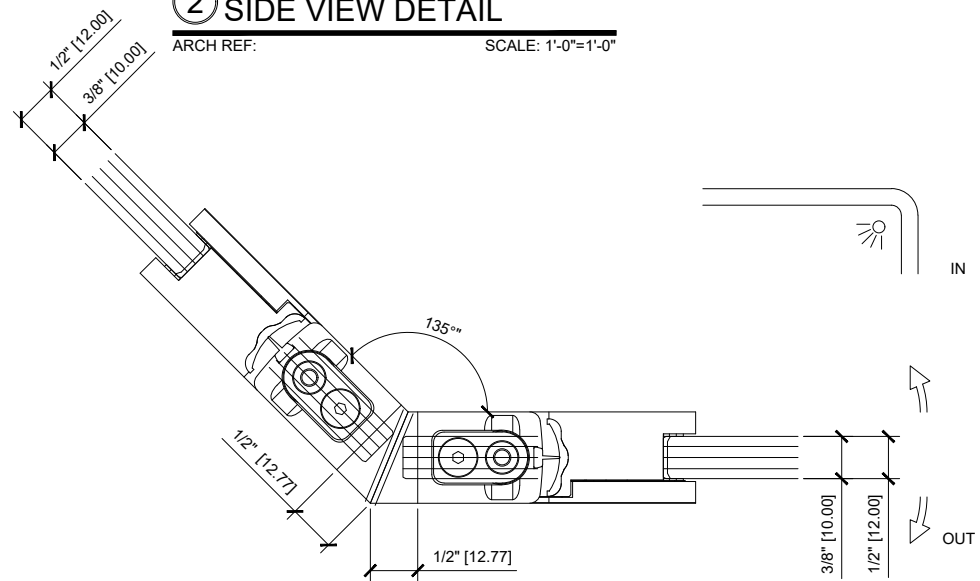
① PLAN VIEW DETAIL

ARCH REF: SCALE: 1'-0"=1'-0"



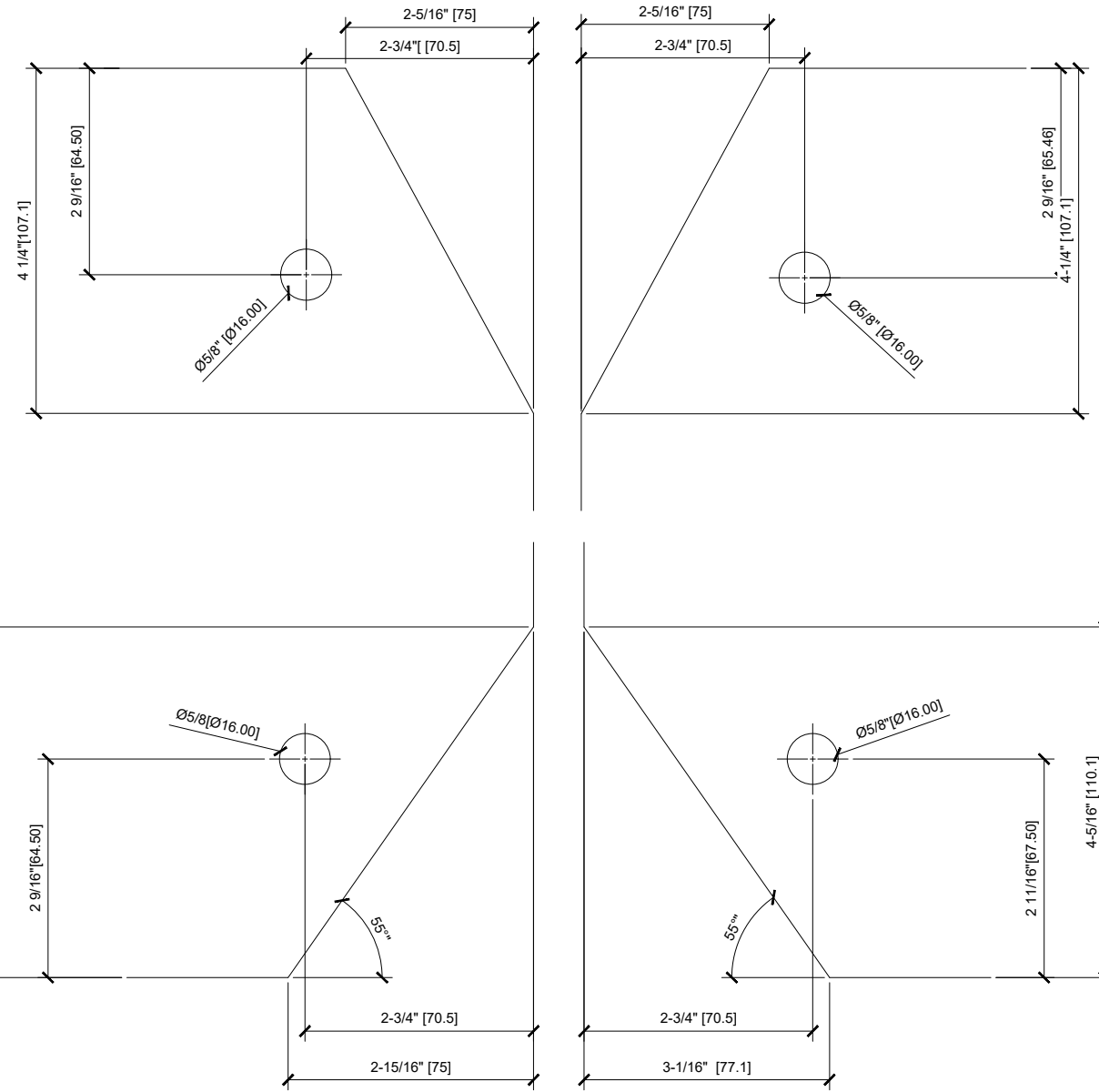
② SIDE VIEW DETAIL

ARCH REF: SCALE: 1'-0"=1'-0"



① PLAN VIEW DETAIL

ARCH REF: SCALE: 1'-0"=1'-0"



③ GLASS CUT OUT DETAIL

ARCH REF: SCALE: 1'-0"=1'-0"

Description:

CRL ZERO HINGE SYSTEM

Drawn By: AB

Date: 08/21/2024

Scale: AS NOTED

File Name:

SYS0133A_ZERO HINGE SYSTEM DRAWINGS

Sheet

